

Toothed belt axes EGC-TB-KF, with recirculating ball bearing guide



Festo core product range
Covers 80% of your automation tasks

Worldwide:

Always in stock

Superb:

Festo quality at an attractive price

Easy:

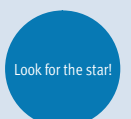
Reduces procurement and storing complexity



Ready for dispatch from the Festo factory in 24 hours
Held in stock in 13 service centres worldwide
More than 2200 products



Ready for dispatch in 5 days maximum from stock
Assembled for you in 4 service centres worldwide
Up to 6×10^{12} variants per product series



Electromechanical drives

Selection aid



Overview of toothed belt and spindle axes

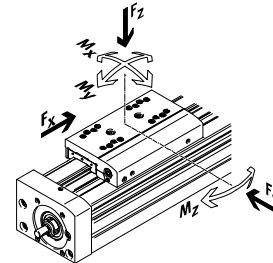
Toothed belt axes

- Speeds of up to 10 m/s
- Acceleration of up to 50 m/s²
- Repetition accuracy of up to ±0.08 mm
- Strokes of up to 8500 mm (longer strokes on request)
- Flexible motor mounting

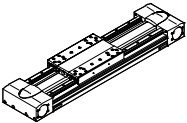
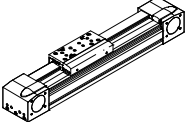
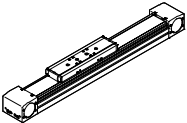
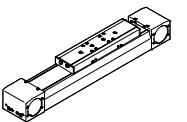
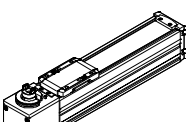
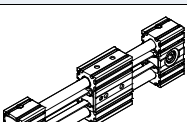
Spindle axes

- Speeds of up to 2 m/s
- Acceleration of up to 20 m/s²
- Repetition accuracy of up to ±0.003 mm
- Strokes of up to 3000 mm

Coordinate system



Toothed belt axes

Type	F_x [N]	v [m/s]	M_x [Nm]	M_y [Nm]	M_z [Nm]	Key features
Heavy-duty recirculating ball bearing guide						
EGC-HD-TB						
	450 1000 1800	3 5 5	140 300 900	275 500 1450	275 500 1450	<ul style="list-style-type: none"> • Flat drive unit with rigid, closed profile • Precision DUO guide rail with high load capacity • Ideal as a basic axis for linear gantries and cantilever axes
Recirculating ball bearing guide						
EGC-TB-KF						
	50 100 350 800 2500	3 5 5 5 5	3.5 16 36 144 529	10 132 228 680 1820	10 132 228 680 1820	<ul style="list-style-type: none"> • Rigid, closed profile • Precision guide rail with high load capacity • Small drive pinions reduce required driving torque • Space-saving position sensing
ELGA-TB-KF						
	350 800 1300 2000	5 5 5 5	16 36 104 167	132 228 680 1150	132 228 680 1150	<ul style="list-style-type: none"> • Internal guide and toothed belt • Precision guide rail with high load capacity • Guide and toothed belt protected by cover strip • High feed forces
ELGA-TB-KF-F1						
	260 600 1000	5 5 5	16 36 104	132 228 680	132 228 680	<ul style="list-style-type: none"> • Suitable for use in the food zone • "Clean Look": smooth, easy to clean surfaces • Internal guide and toothed belt • Precision guide rail with high load capacity • Guide and toothed belt protected by cover strip
ELGC-TB-KF						
	75 120 250	1.2 1.5 1.5	5.5 29.1 59.8	4.7 31.8 56.2	4.7 31.8 56.2	<ul style="list-style-type: none"> • Internal guide and toothed belt • Precision guide rail with high load capacity • Guide and toothed belt protected by cover strip
ELGR-TB						
	50 100 350	3 3 3	2.5 5 15	20 40 124	20 40 124	<ul style="list-style-type: none"> • Cost-optimised rod guide • Ready-to-install unit • Ball bearings with high load capacity for dynamic operation

Electromechanical drives

Selection aid

Overview of toothed belt and spindle axes

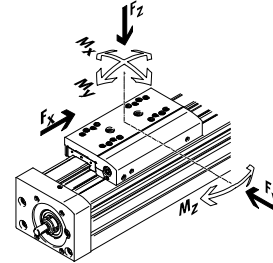
Toothed belt axes

- Speeds of up to 10 m/s
- Acceleration of up to 50 m/s²
- Repetition accuracy of up to ±0.08 mm
- Strokes of up to 8500 mm (longer strokes on request)
- Flexible motor mounting

Spindle axes

- Speeds of up to 2 m/s
- Acceleration of up to 20 m/s²
- Repetition accuracy of up to ±0.003 mm
- Strokes of up to 3000 mm

Coordinate system



Toothed belt axes

Type	F_x [N]	v [m/s]	M_x [Nm]	M_y [Nm]	M_z [Nm]	Key features
Roller bearing guide						
ELGA-TB-RF						
	350	10	11	40	40	<ul style="list-style-type: none"> • Heavy-duty roller bearing guide • Guide and toothed belt protected by cover strip • Speeds of up to 10 m/s • Lower weight than axes with guide rails
	800	10	30	180	180	
	1300	10	100	640	640	
ELGA-TB-RF-F1						
	260	10	8.8	32	32	<ul style="list-style-type: none"> • Suitable for use in the food zone • "Clean Look": smooth, easy to clean surfaces • Heavy-duty roller bearing guide • Guide and toothed belt protected by cover strip • Lower weight than axes with guide rails
	600	10	24	144	144	
	1000	10	80	512	512	
Plain-bearing guide						
ELGA-TB-G						
	350	5	5	30	10	<ul style="list-style-type: none"> • Guide and toothed belt protected by cover strip • For simple handling tasks • As a drive component for external guides • Insensitive to harsh operating conditions
	800	5	10	60	20	
	1300	5	120	120	40	
ELGR-TB-GF						
	50	1	1	10	10	<ul style="list-style-type: none"> • Cost-optimised rod guide • Ready-to-install unit • Heavy-duty plain bearings for use in harsh operating conditions
	100	1	2.5	20	20	
	350	1	1	40	40	

Electromechanical drives

Selection aid



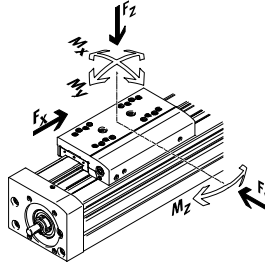
Overview of toothed belt and spindle axes

Toothed belt axes

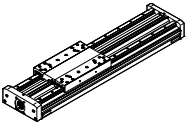
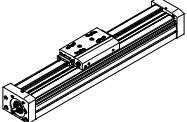
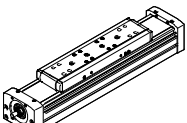
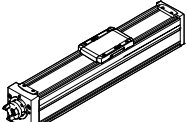
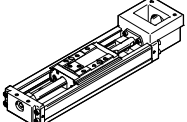
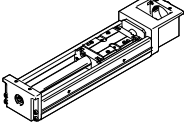
- Speeds of up to 10 m/s
- Acceleration of up to 50 m/s²
- Repetition accuracy of up to ±0.08 mm
- Strokes of up to 8500 mm (longer strokes on request)
- Flexible motor mounting

Spindle axes

- Speeds of up to 2 m/s
- Acceleration of up to 20 m/s²
- Repetition accuracy of up to ±0.003 mm
- Strokes of up to 3000 mm



Spindle axes

Type	F_x [N]	v [m/s]	M_x [Nm]	M_y [Nm]	M_z [Nm]	Key features
Heavy-duty recirculating ball bearing guide						
EGC-HD-BS						
	300 600 1300	0.5 1.0 1.5	140 300 900	275 500 1450	275 500 1450	<ul style="list-style-type: none"> • Flat drive unit with rigid, closed profile • Precision DUO guide rail with high load capacity • Ideal as a basic axis for linear gantries and cantilever axes
Recirculating ball bearing guide						
EGC-BS-KF						
	300 600 1300 3000	0.5 1.0 1.5 2.0	16 36 144 529	132 228 680 1820	132 228 680 1820	<ul style="list-style-type: none"> • Rigid, closed profile • Precision guide rail with high load capacity • For the highest requirements in terms of feed force and accuracy • Space-saving position sensing
ELGA-BS-KF						
	300 600 1300 3000	0.5 1.0 1.5 2.0	16 36 104 167	132 228 680 1150	132 228 680 1150	<ul style="list-style-type: none"> • Internal guide and ball screw • Precision guide rail with high load capacity • For the highest requirements in terms of feed force and accuracy • Guide and ball screw protected by cover strip • Space-saving position sensing
ELGC-BS-KF						
	40 100 200 350	0.6 0.6 0.8 1.0	1.3 5.5 29.1 59.8	1.1 4.7 31.8 56.2	1.1 4.7 31.8 56.2	<ul style="list-style-type: none"> • Internal guide and ball screw • Guide and ball screw protected by cover strip • Space-saving position sensing
EGSK						
	57 133 184 239 392	0.33 1.10 0.83 1.10 1.48	13 28.7 60 79.5 231	3.7 9.2 20.4 26 77.3	3.7 9.2 20.4 26 77.3	<ul style="list-style-type: none"> • Spindle axes with maximum precision, compactness and rigidity • Recirculating ball bearing guide and ball screw without caged ball bearings • Standard designs in stock
EGSP						
	112 212 466 460	0.6 0.6 2.0 2.0	36.3 81.5 90.3 258	12.5 31.6 32.1 94	12.5 31.6 32.1 94	<ul style="list-style-type: none"> • Spindle axes with maximum precision, compactness and rigidity • Recirculating ball bearing guide with caged ball bearings • Ball screw sizes 33, 46 with caged ball bearings

Toothed belt axes EGC-TB-KF, with recirculating ball bearing guide

Key features

At a glance

Powerful

- Generously sized profiles with an optimised cross section afford maximum rigidity and load capacity
- Speed, acceleration and torque resistance set a new standard

Economical

- In addition to its technical data, the toothed belt axis also offers an excellent price/performance ratio
- Due to the EGC's high performance it is often possible to use a smaller size

Versatile

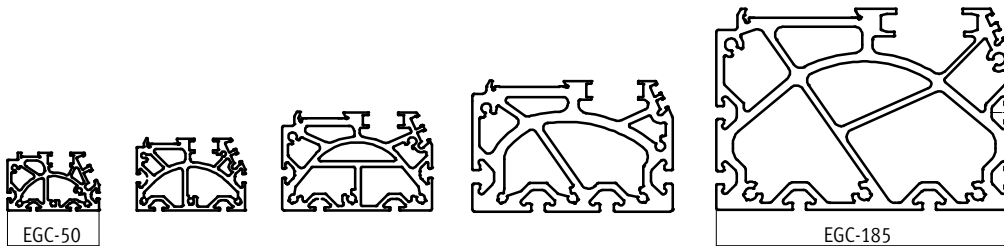
- Numerous sizes and variants such as protected guides open up a broad range of applications
- Space-saving position sensing with proximity sensors in the profile slot is possible
- Wide range of options for mounting on drives
- Comprehensive range of mounting accessories for multi-axis combinations

Flexible motor attachment

The motor position can be freely selected on four sides and can be changed at any time.



Comprehensive range for the most varied load conditions



Characteristic values of the axes

The specifications shown in the table are maximum values. The precise values for each of the variants can be found in the relevant technical data in the catalogue.

Version	Size	Working stroke [mm]	Speed [m/s]	Repetition accuracy [mm]	Feed force [N]	Guide characteristics				
						Forces and torques				
						F _y [N]	F _z [N]	M _x [Nm]	M _y [Nm]	M _z [Nm]
Recirculating ball bearing guide										
	50	50 ... 1900	3	±0.08	50	650	650	3.5	10	10
	70	50 ... 5000	5	±0.08	100	1850	1850	16	132	132
	80	50 ... 8500	5	±0.08	350	3050	3050	36	228	228
	120	50 ... 8500	5	±0.08	800	6890	6890	144	680	680
	185	50 ... 8500	5	±0.1	2500	15200	15200	529	1820	1820

- - Note
PositioningDrives
sizing software
www.festo.com

Toothed belt axes EGC-TB-KF, with recirculating ball bearing guide

Key features

Slide variants

Standard slide



Extended slide



Additional slide



Guide options

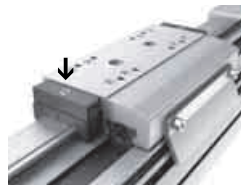
Protected version



- The protected guide cleans the guide rail and protects the recirculating ball bearing guide with the aid of an additional wiper

With central lubrication

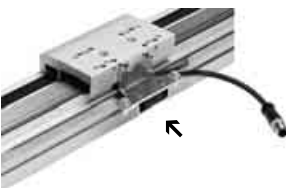
→ page 23



- The lubrication adapter enables the guide to be permanently lubricated using semi or fully automatic relubrication devices
- The adapters are suitable for oils and greases
- Both lubrication adapters must be connected

Displacement encoder

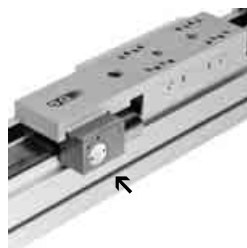
→ page 14



- The position of the slide can be sensed directly when using the incremental displacement encoder. This means that all elasticities of the drive train can be detected and can be corrected by the motor controller

Clamping unit

→ page 15



- 1 or 2-channel design, for holding loads
- Reliable holding is guaranteed since the forces act directly on the slide
- A limited number of emergency braking operations are permissible with the sizes 120 and 185

Toothed belt axes EGC-TB-KF, with recirculating ball bearing guide

Key features

Complete system comprising toothed belt axis, motor, motor controller and motor mounting kit
Toothed belt axis with recirculating ball bearing guide




Motor

→ page 46



- 1 Servo motor EMME-AS, EMMS-AS
- 2 Stepper motor EMMS-ST

 Note
A range of specially adapted complete solutions is available for the toothed belt axis EGC and the motors.

Motorcontroller

Technical data → Internet: motorcotroller



- 1 Servo motor controller CMMP-AS
- 2 Stepper motor controller CMMS-ST

Motor mounting kit

→ page 46

Axial kit

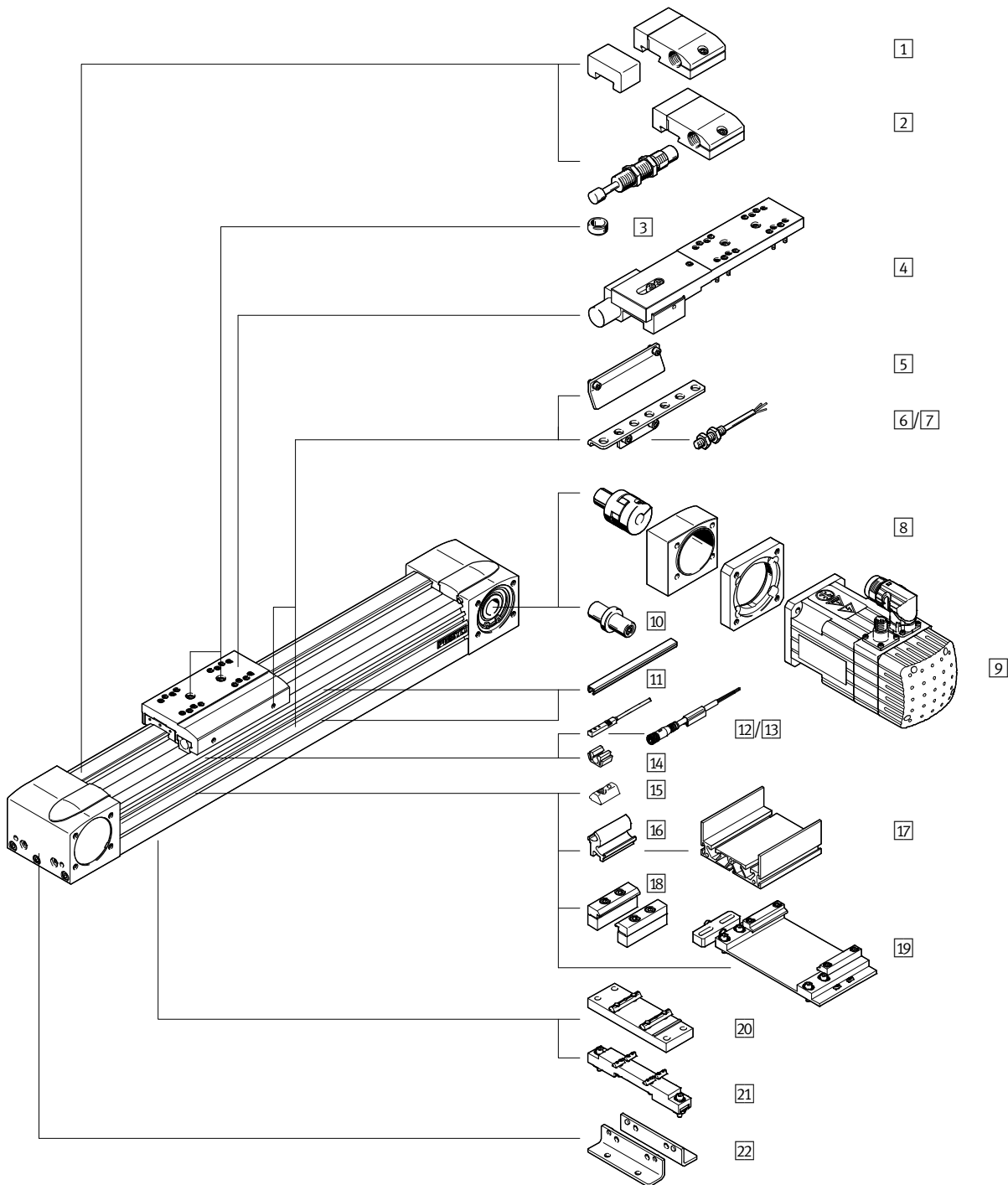


Kit comprising:

- Motor flange
- Coupling housing
- Coupling
- Screws

Toothed belt axes EGC-TB-KF, with recirculating ball bearing guide

Peripherals overview



Toothed belt axes EGC-TB-KF, with recirculating ball bearing guide

Peripherals overview

Variants and accessories		
Type	Description	→ Page/Internet
1 Emergency buffer with retainer A	For avoiding damage at the end stop in the event of malfunction	55
2 Shock absorber with retainer C	For avoiding damage at the end stop in the event of malfunction	55
3 Centring pin/sleeve ZBS, ZBH	<ul style="list-style-type: none"> For centring loads and attachments on the slide Included in the scope of delivery: <ul style="list-style-type: none"> For size 50, 70: 2x ZBS-5 For size 80, 120, 185: 2x ZBH-9 	58
4 Clamping unit 1H...-PN, 2H-PN	For holding loads	15
5 Switch lug X, Z, O, P, W, R	For sensing the slide position	55
6 Sensor bracket O, P, W, R	Adapter for mounting the inductive proximity sensors (round design) on the axis	56
7 Proximity sensor, M8 O, P, W, R	<ul style="list-style-type: none"> Inductive proximity sensor, round design The order code O, P, W, R includes 1 switch lug and max. 2 sensor brackets in the scope of delivery 	60
8 Axial kit EAMM_A	For axial motor mounting (consisting of: coupling, coupling housing and motor flange)	46
9 Motor EMME, EMMS	Motors specially matched to the axis, with or without gear unit, with or without brake	46
10 Drive shaft K	<ul style="list-style-type: none"> Can, if required, be used as an alternative interface No drive shaft is required for the axis/motor combinations → from page 46 	57
11 Slot cover B, S	<ul style="list-style-type: none"> For protecting against ingress of dirt 	58
12 Proximity sensor, T-slot X, Z	<ul style="list-style-type: none"> Inductive proximity sensor, for T-slot The order code X, Z includes 1 switch lug in the scope of delivery 	59
13 Connecting cable V	For proximity sensor (order code W and R)	60
14 Clip CL	For mounting the proximity sensor cable in the slot	58
15 Slot nut Y	For mounting attachments	58
16 Adapter kit DHAM	For mounting the support profile on the axis	59
17 Support profile HMIA	For mounting and guiding an energy chain	59
18 Profile mounting M	For mounting the axis on the side of the profile	51
19 Adjusting kit EADC-E16	Used to mount the axis on a vertical surface. Following mounting, the axis can be aligned horizontally	54
20 Central support EAHF EAHF-L5	For mounting the axis from underneath on the profile	52
21 Adjusting kit EADC-E15	It is height-adjustable. Can be used to compensate any unevenness in the bearing surface	53
22 Foot mounting F	For mounting the axis on the end cap	50
- Passive guide axis EGC-FA	Axis without drive	egc-fa
- Connecting shaft KSK	For connecting two toothed belt axes EGC-TB in three-dimensional gantries	ksk

Toothed belt axes EGC-TB-KF, with recirculating ball bearing guide

Type codes

EGC - 70 - 500 - TB - KF - - GK

Type

EGC Toothed belt axis

Size

Stroke [mm]

Drive function

TB Toothed belt

Guide

KF Recirculating ball bearing guide

Stroke reserve

Slide

GK	Standard slide
GV	Extended slide
GP	Standard slide, protected
GQ	Extended slide, protected

Toothed belt axes EGC-TB-KF, with recirculating ball bearing guide

Type codes

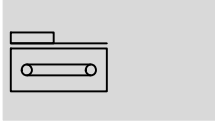
→		-	-	-	-	-	ZUB -	F2MX2Z	-	DN
Additional slide										
KL	Standard, left									
Additional slide										
KR	Standard, right									
Lubrication function										
-	Standard									
C	Lubrication adapter									
Displacement encoder, incremental										
M1	Resolution: 2.5 µm									
M2	Resolution: 10 µm									
Clamping unit										
1HL	1-channel, left									
1HR	1-channel, right									
2H	2-channel									
Actuation type										
PN	Pneumatically actuated									
Accessories enclosed separately										
F	Foot mounting									
...M	Profile mounting									
...B	Mounting slot cover									
...S	Sensor slot cover									
...Y	Slot nut for mounting slot									
...X	Proximity sensor (SIES), inductive, slot type 8, PNP, N/O contact, 7.5 m cable									
...Z	Proximity sensor (SIES), inductive, slot type 8, PNP, N/C contact, 7.5 m cable									
...A	Emergency buffer with retainer									
...C	Shock absorber with retainer									
...O	Proximity sensor (SIEN), inductive, M8, PNP, N/O contact, 2.5 m cable									
...P	Proximity sensor (SIEN), inductive, M8, PNP, N/C contact, 2.5 m cable									
...W	Proximity sensor (SIEN), inductive, M8, PNP, N/O contact, plug M8									
...R	Proximity sensor (SIEN), inductive, M8, PNP, N/C contact, plug M8									
...V	Connecting cable									
...K	Drive shaft									
...CL	Cable clip									
Operating instructions										
DN	None									




Toothed belt axes EGC-TB-KF, with recirculating ball bearing guide

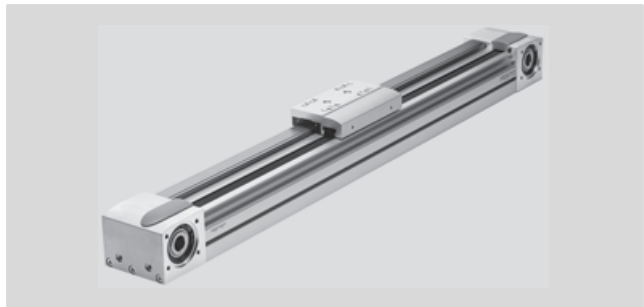
FESTO

Technical data

Function



-  Size
50 ... 185
-  Stroke length
50 ... 8500 mm
-  www.festo.com



General technical data						
Size		50	70	80	120	185
Design		Electromechanical axis with toothed belt				
Guide		Recirculating ball bearing guide				
Mounting position		Any				
Working stroke						
EGC-...-GK/-GP	[mm]	50 ... 1900	50 ... 5000	50 ... 8500	50 ... 8500	50 ... 8500
EGC-...-GV/-GQ	[mm]	50 ... 1900	50 ... 5000	50 ... 8500	50 ... 8400	50 ... 8400
Max. feed force F_x	[N]	50	100	350	800	2500
Max. no-load torque ¹⁾	[Nm]	0.072	0.18	0.4	1.4	4.05
Max. no-load resistance to shifting ¹⁾	[N]	8	14.5	28	70	110
Max. driving torque	[Nm]	0.46	1.24	5	16	93
Max. speed	[m/s]	3	5			
Max. acceleration	[m/s ²]	50				
Repetition accuracy	[mm]	±0.08				±0.1

1) At 0.2m/s, with variant GK or GV

Operating and environmental conditions		
Ambient temperature	[°C]	-10 ... +60
Protection class		IP40
Duty cycle	[%]	100

Toothed belt axes EGC-TB-KF, with recirculating ball bearing guide

Technical data

Weight [g]					
Size	50	70	80	120	185
Basic weight with 0 mm stroke ¹⁾					
EGC-...-GK/-GP	620	1850	3000	10500	32600
EGC-...-GV/-GQ	–	2470	3900	12600	36800
Additional weight per 10 mm stroke	19	44	62	150	300
Moving load					
EGC-...-GK/-GP	130	370	620	2180	6500
EGC-...-GV/-GQ	–	550	900	2730	7720
Additional slide					
EGC-...-KL/-KR	80	300	550	2000	6000
Clamping unit					
EGC-...-1H...-PN	–	–	700	2300	4900
EGC-...-2H-PN	–	–	1300	4000	8300

1) Incl. slide

Toothed belt					
Size	50	70	80	120	185
Pitch [mm]	2	3	3	5	8
Expansion ¹⁾ [%]	0.094	0.08	0.24	0.13	0.29
Width [mm]	10	15	19.3	30.3	50.5
Effective diameter [mm]	18.46	24.83	28.65	39.79	73.85
Feed constant [mm/rev.]	58	78	90	125	232

1) At max. feed force

Mass moment of inertia					
Size	50	70	80	120	185
J ₀					
EGC-...-GK [kg mm ²]	16.94	83.34	205.9	1241	17976
EGC-...-GV [kg mm ²]	–	110	265	1465	19690
J _H per metre stroke [kg mm ² /m]	2.6	10.6	18.8	93	760
J _L per kg effective load [kg mm ² /kg]	85	154	205	396	1363.5
J _W Additional slide [kg mm ²]	3.56	56.32	126.73	861	8846
J _F Clamping unit					
EGC-...-1H...-PN [kg mm ²]	–	–	143.5	911	6681
EGC-...-2H-PN [kg mm ²]	–	–	266.5	1584	11317

The mass moment of inertia J_A of the entire axis is calculated as follows:

$$J_A = J_0 + K \times J_W + J_H \times \text{working stroke [m]} + J_L \times m_{\text{effective load [kg]}} + J_F$$

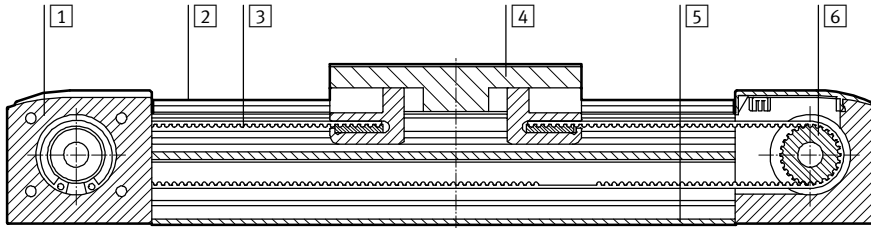
K= Number of additional slides

Toothed belt axes EGC-TB-KF, with recirculating ball bearing guide

Technical data

Materials

Sectional view



Axis

1	Drive cover	Anodised wrought aluminium alloy
2	Guide rail	High-alloy steel
3	Toothed belt	Polychloroprene with glass cord and nylon coating
4	Slide	Anodised wrought aluminium alloy
5	Profile	Anodised wrought aluminium alloy
6	Toothed belt disc	High-alloy stainless steel
Note on materials		RoHS-compliant
		Contains PWIS (paint-wetting impairment substances)

Technical data – Displacement encoder

Dimensions → page 40

Order code	EGC...-M1	EGC...-M2
Resolution	[µm] 2.5	10
Max. travel speed with displacement encoder	[m/s] 4	4
Encoder signal	5 V TTL; A/A, B/B; reference signal (N/N) cyclically every 5 mm (zero pulse)	
Signal output	Line Driver, push-pull, proof against continuous short circuits	
Electrical connection	8-pin plug, round design, M12	
Cable length	[mm] 160	

Operating and environmental conditions – Displacement encoder

Ambient temperature	[°C] -10 ... +70
Protection class	IP64
CE marking (see declaration of conformity)	To EU EMC Directive ¹⁾

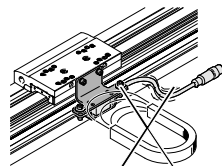
1) For information about the applicability of the component see the manufacturer's EC declaration of conformity at: www.festo.com/sp → User documentation.

If the component is subject to restrictions on usage in residential, office or commercial environments or small businesses, further measures to reduce the emitted interference may be necessary.

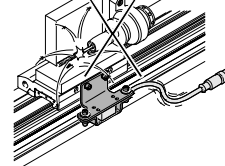
Instructions for use

The toothed belt axis with displacement encoder is not designed for the following sample applications:

- Magnetic field



- Welding application




Toothed belt axes EGC-TB-KF, with recirculating ball bearing guide

Technical data

Technical data – Clamping unit		Dimensions → page 36		
Size		80	120	185
Pneumatic connection		M5	M5	M5
Clamping type		Clamping via spring force, released via compressed air		
Static holding force				
EGC-...-1H...-PN	[N]	320	1200	1500
EGC-...-2H-PN	[N]	640	2400	3000
Max. number of emergency braking operations ¹⁾ at reference energy	[[]]	–	750 35	750 70
Number of clamping operations under nominal load	[million switching cycles]	0.45	0.05	> 1.4

1) Emergency braking refers to braking the effective load if the drive axis loses power.

Operating and environmental conditions – Clamping unit	
Operating medium	Compressed air according to ISO 8573-1:2010 [7:4:4]
Operating pressure	
Clamping unit opened	[bar] 4.5 ... 8
Clamping unit closed	[bar] Pressureless
Ambient temperature	[°C] –10 ... +60

 Note
The axis can only be relubricated with the lubrication adapter when used in combination with the clamping unit (EGC-...-C).

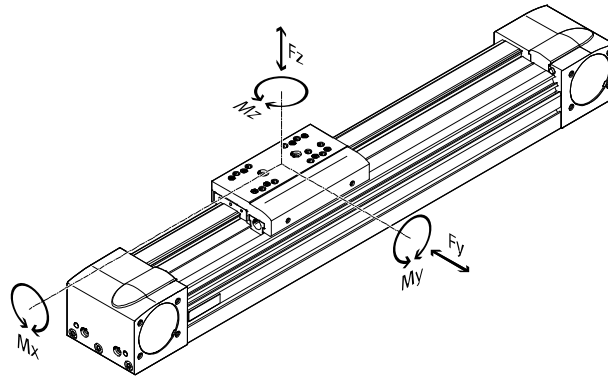
Toothed belt axes EGC-TB-KF, with recirculating ball bearing guide

Technical data

Characteristic load values

The indicated forces and torques refer to the slide surface. The point of application of force is the point where the centre of the guide and the longitudinal centre of the slide intersect.

These values must not be exceeded during dynamic operation. Special attention must be paid to the cushioning phase.



Max. permissible forces and torques for a service life of 5000 km						
Size		50	70	80	120	185
F _{y,max.}	[N]	650	1850	3050	6890	15200
F _{z,max.}	[N]	650	1850	3050	6890	15200
M _{x,max.}	[Nm]	3.5	16	36	144	529
M _{y,max./M_{z,max.}}						
EGC...-GK/-GP	[Nm]	10	51	97	380	1157
M _{y,max./M_{z,max.}}						
EGC...-GV/-GQ	[Nm]	–	132	228	680	1820

-  - Note

For a service life of 5000 km for the guide system, the load comparison factor must have a value of $f_v < 1$, based on the maximum permissible forces and torques for a service life of 5000 km.

If the axis is simultaneously subjected to several of the indicated forces and torques, the following equation must be satisfied in addition to the indicated maximum loads:

Calculating the load comparison factor:

$$f_v = \frac{|F_{y,dyn}|}{F_{y,max}} + \frac{|F_{z,dyn}|}{F_{z,max}} + \frac{|M_{x,dyn}|}{M_{x,max}} + \frac{|M_{y,dyn}|}{M_{y,max}} + \frac{|M_{z,dyn}|}{M_{z,max}}$$

Toothed belt axes EGC-TB-KF, with recirculating ball bearing guide

Technical data

Calculating service life

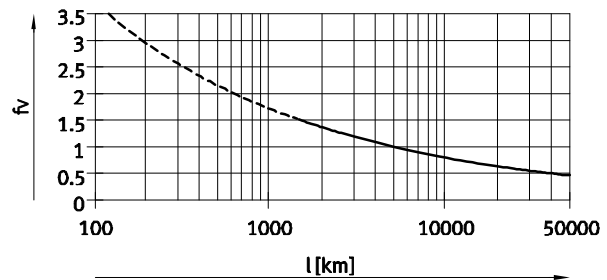
The service life of the guide depends on the load. To provide a rough indication of the service life of the guide, the graph below plots the load comparison factor f_v against the service life.

These values are only theoretical. You must consult your local contact person at Festo for load comparison factors f_v greater than 1.5.

Load comparison factor f_v as a function of service life

Example:

A user wants to move an X kg load. Using the formula → page 16 gives a value of 1.5 for the load comparison factor f_v . According to the graph, the guide would have a service life of approx. 1500 km. Reducing the acceleration reduces the M_z and M_y values. A load comparison factor f_v of 1 now gives a service life of 5000 km.



Note

PositioningDrives sizing software www.festo.com

The guide workload for a service life of 5000 km can be calculated with the help of the sizing software.

$f_v > 1.5$ are only theoretical comparison values for the recirculating ball bearing guide.

Comparison of the characteristic load values for 5000 km with dynamic forces and torques of recirculating ball bearing guides

The characteristic load values of roller bearing guides are standardised to ISO and JIS using dynamic and static forces and torques. These forces and torques are based on an expected service life for the guide system of 100 km to ISO or 50 km to JIS.

As the characteristic load values are dependent on the service life, the max. permissible forces and torques for a service life of 5000 km cannot be compared with the dynamic forces and torques of roller bearing guides to ISO/JIS.

To make it easier to compare the guide capacity of linear axes EGC with roller bearing guides, the table below lists the theoretically permissible forces and torques for a calculated service life of 100 km. This corresponds to the dynamic forces and torques to ISO.

These 100 km values have been calculated mathematically and are only to be used for comparing with dynamic forces and torques to ISO. The drives must not be loaded with these characteristic values as this could damage them.

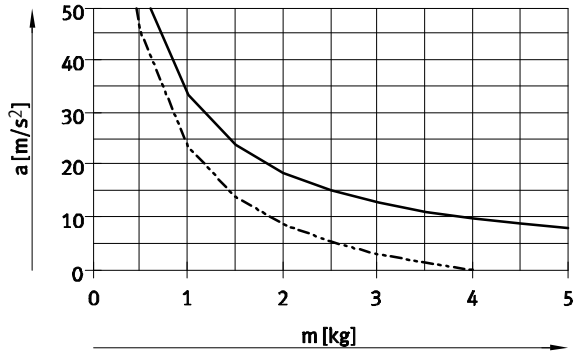
Max. permissible forces and torques for a theoretical service life of 100 km (from a guide perspective only)						
Size		50	70	80	120	185
$F_{y_{max}}$	[N]	2395	6815	11236	25383	55997
$F_{z_{max}}$	[N]	2395	6815	11236	25383	55997
$M_{x_{max}}$	[Nm]	13	59	133	531	1949
$M_{y_{max}}/M_{z_{max}}$						
EGC-...-GK/-GP	[Nm]	37	188	357	1400	4262
$M_{y_{max}}/M_{z_{max}}$						
EGC-...-GV/-GQ	[Nm]	-	486	840	2505	6705

Toothed belt axes EGC-TB-KF, with recirculating ball bearing guide

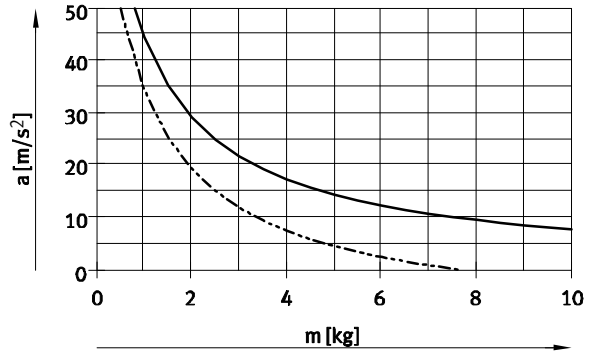
Technical data

Maximum acceleration a as a function of applied load m

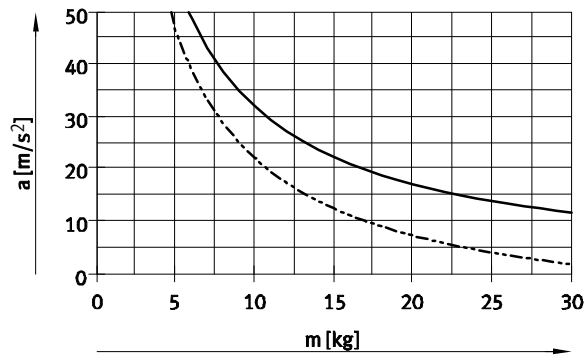
EGC-50



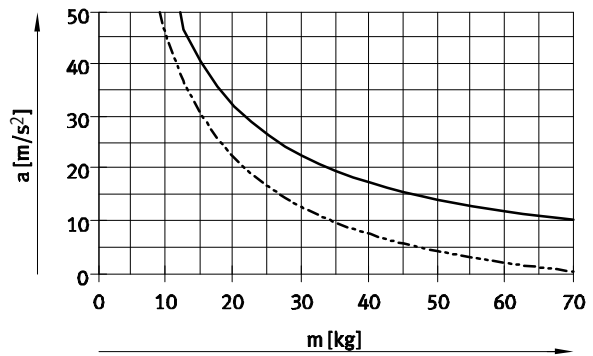
EGC-70



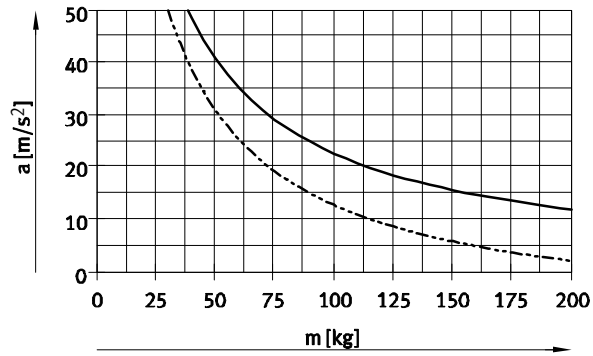
EGC-80



EGC-120



EGC-185

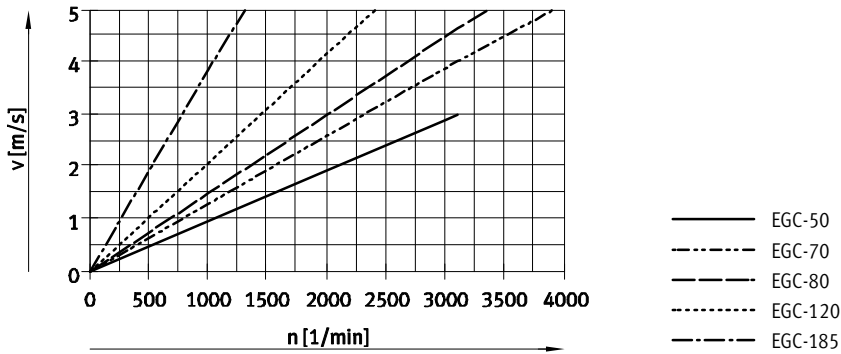


— Horizontal mounting position
 - - - Vertical mounting position

Toothed belt axes EGC-TB-KF, with recirculating ball bearing guide

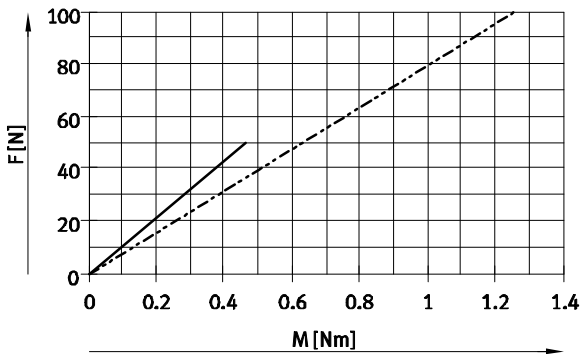
Technical data

Speed v as a function of rotational speed n

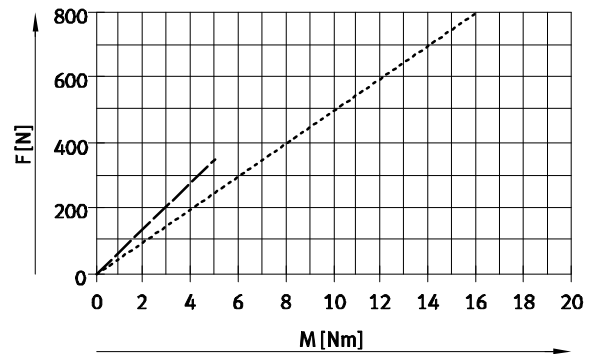


Theoretical feed force F as a function of input torque M

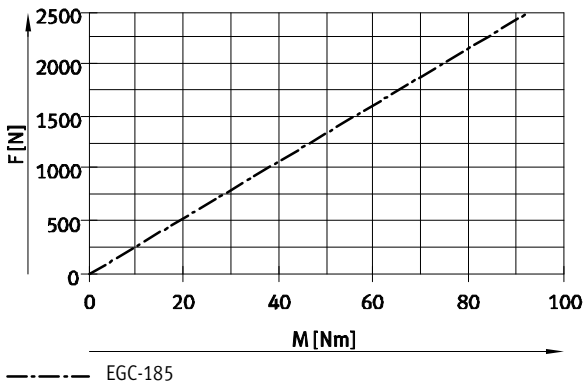
EGC-50/-70



EGC-80/-120



EGC-185



Toothed belt axes EGC-TB-KF, with recirculating ball bearing guide

Technical data

Stroke reserve

Stroke length	Stroke reserve		
The selected stroke corresponds in principle to the required working stroke. The variants GK/GV do not have a wiper seal on the guide. These variants therefore additionally have a safety distance between the drive cap and slide that is not designated as part of the working stroke.	A safety distance (similar to GK/GV) between the drive cap and slide can be defined for the variants GP/GQ and GK-C/GV-C using the modular product system via the "stroke reserve" feature. With the variants GK/GV, the stroke reserve and safety distance are added for each end position.	<ul style="list-style-type: none"> The stroke reserve length can be freely selected The sum of the stroke length and 2x stroke reserve must not exceed the maximum working stroke 	Example: EGC-70-500-TB-KF-20H-... Working stroke = 500 mm 2x stroke reserve = 40 mm Total stroke = 540 mm (540 mm = 500 mm + 2x 20 mm)

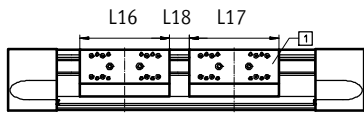
Size	50	70	80	120	185
L9 = safety distance with GK/GV (per end position) [mm]	-	10.5	13	18	21

Working stroke reduction

With standard slide GK/GP / extended slide GV/GQ with additional slide KL/KR

- With a toothed belt axis with additional slide, the working stroke is reduced by the length of the additional slide and the distance between both slides
- If the variant GP/GQ is ordered, the additional slide is also protected
- If the variant GV/GQ is ordered, the additional slide is not extended
- If the variant GK-C/GV-C is ordered, the additional slide is also supplied with lubrication adapters

L16 = Slide length	L18 = Distance between both slides	Example:	
L17 = Additional slide length	1 Additional slide	Type EGC-70-500-TB-...-GK-KR	Working stroke with additional slide = 380 mm
		Working stroke without additional slide = 500 mm	(500 mm - 20 mm - 100 mm)
		L18 = 20 mm	
		L16, L17 = 100 mm	



Dimensions – Additional slide

Size	50	70	80		120	185			
	GK/GV	GK/GV	GP/GQ	GK/GV	GP/GQ or GK-C/GV-C	GK/GV	GP/GQ or GK-C/GV-C	GK/GV	GK-C/GV-C
Length L17 [mm]	65	100	121	120	146	203.3	236	282.8	322
Min. distance between the slides L18 [mm]	-	-	21	-	26	-	36	-	42

Toothed belt axes EGC-TB-KF, with recirculating ball bearing guide

Technical data

Working stroke reduction per side

With integrated emergency buffer NPE/shock absorber YSRW with shock absorber retainer KYE

- The working stroke is reduced by the total dimension of the emergency buffer/shock absorber and shock absorber retainer.
- The rubber buffer in the cap must be removed.
- Shock absorbers must not be used in combination with lubrication adapters.

Size	50	70	80	120	185
With emergency buffer [mm]	30	43	68	98	133
With shock absorber [mm]	26	42	63	84	107

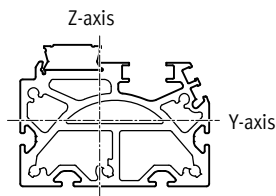
Working stroke reduction

With integrated clamping unit

- The working stroke is reduced by the length of the clamping unit.
- With 1-channel clamping units, the stroke is reduced on one side with respect to the mounting surface.
- With 2-channel clamping units, the stroke is reduced symmetrically with respect to the mounting surface of the load.
- Shock absorbers must not be used in combination with the clamping unit.

Size	80	120	185
EGC-...-1H...-PN [mm]	87	124	131
EGC-...-2H-PN [mm]	174	248	262

Second moment of area



Size	50	70	80	120	185
I _y [mm ⁴]	8.4x10 ⁴	3.95x10 ⁵	8.44x10 ⁵	4.62x10 ⁶	2.34x10 ⁷
I _z [mm ⁴]	1.14x10 ⁵	5.77x10 ⁵	1.16x10 ⁶	5.65x10 ⁶	2.74x10 ⁷

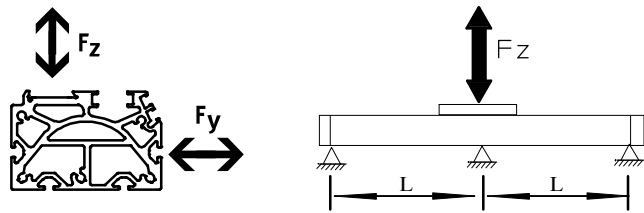
Toothed belt axes EGC-TB-KF, with recirculating ball bearing guide

Technical data

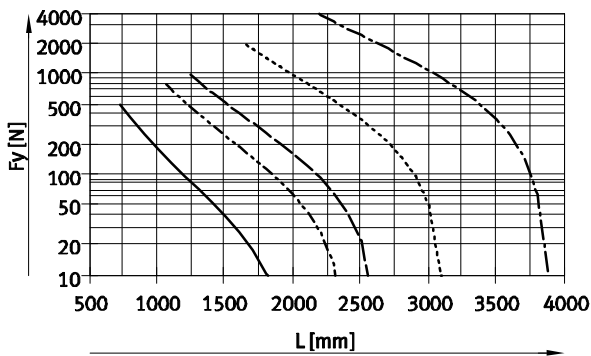
Maximum permissible support span L (without profile mounting MUE/central support EAHF) as a function of force F

In order to limit deflection in the case of large strokes, the axis may need to be supported.

The following graphs can be used to determine the maximum permissible support span L as a function of force F acting on the axis. The deflection is $f = 0.5$ mm.

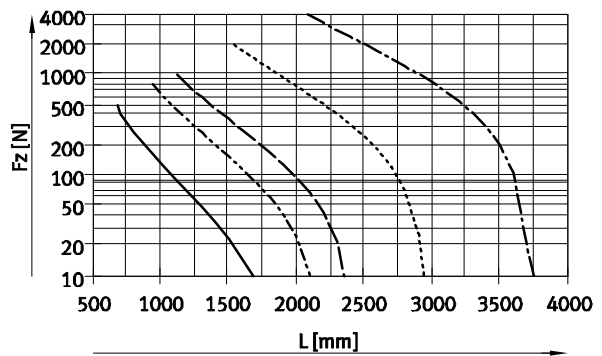


Force F_y



- EGC-50
- EGC-70
- EGC-80
- - - EGC-120
- - - EGC-185

Force F_z



Recommended deflection limits

Adherence to the following deflection limits is recommended so as not to impair the functional performance of the axes. Greater deformation can result in increased friction, greater wear and reduced service life.

Size	Dyn. deflection (load moving)	Stat. deflection (load stationary)
50 ... 185	0.05% of the axis length, max. 0.5 mm	0.1% of the axis length

Toothed belt axes EGC-TB-KF, with recirculating ball bearing guide

Technical data

Central lubrication

The lubrication adapter enables the guide of the toothed belt axis EGC-TB to be permanently lubricated in applications in humid or wet ambient conditions using semi or fully automatic relubrication devices.

- For size 80, 120, 185
- The modules are suitable for oils and greases
- The dimensions of the toothed belt axis EGC-TB are the same with and without central lubrication modules
- Both lubrication adapters must be connected
- There are three connection options on each side
- Can be used in combination with:
 - Standard slide GK
 - Additional slide KL, KR
- Cannot be used in combination with:
 - Protected recirculating ball bearing guide GP

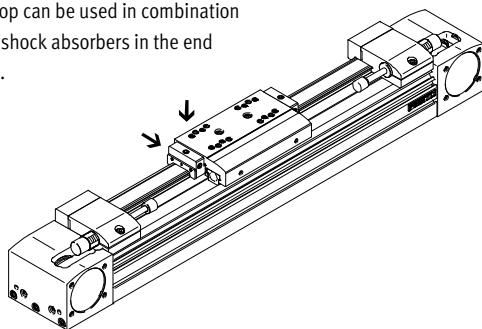
Slide dimensions

→ page 31

Order code C in the modular product system → page 44

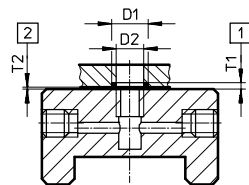
Connection options

Only the connection at the rear or on the top can be used in combination with shock absorbers in the end caps.



Connection option for customer design

The drawing opposite shows the connection option on the top lubrication interface using a customer design.



- D1 8^{+0.2} mm
- D2 6 mm
- T1 0.6–0.05 mm
- T2 0.1^{+0.2} mm
- O-ring ∅ 6x1 mm (DIN3771)

- 1 Slot depth for O-ring
- 2 Required air gap

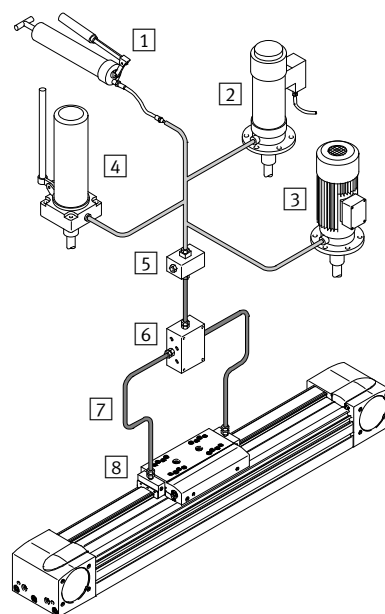
Additional dimensions → page 31

Structure of a central lubrication system

A central lubrication system requires various additional components. The illustration shows different options (using a hand pump, pneumatic container pump or electric container pump) required as a minimum for designing a central lubrication system. Festo does not sell these additional components, however they can be obtained from the following companies:

- Lincoln
- Bielomatik
- SKF (Vogel)

Festo recommends these companies because they can supply all the necessary components.



- 1 Hand pump
- 2 Pneumatic container pump
- 3 Electric container pump
- 4 Manually operated container pump
- 5 Nipple block
- 6 Distributor block
- 7 Tubing or piping
- 8 Fittings

Toothed belt axes EGC-TB-KF, with recirculating ball bearing guide

Technical data

Dimensions Download CAD data → www.festo.com

View A (→ 26)

+ = plus stroke length + 2x stroke reserve
 L9 With GK/GV: safety distance per end position
 With GP/GQ: dimension for wiper seal → 20
 With GK-C/GV-C: dimension for adapter → 31

Working stroke reduction in combination with additional slide → 20

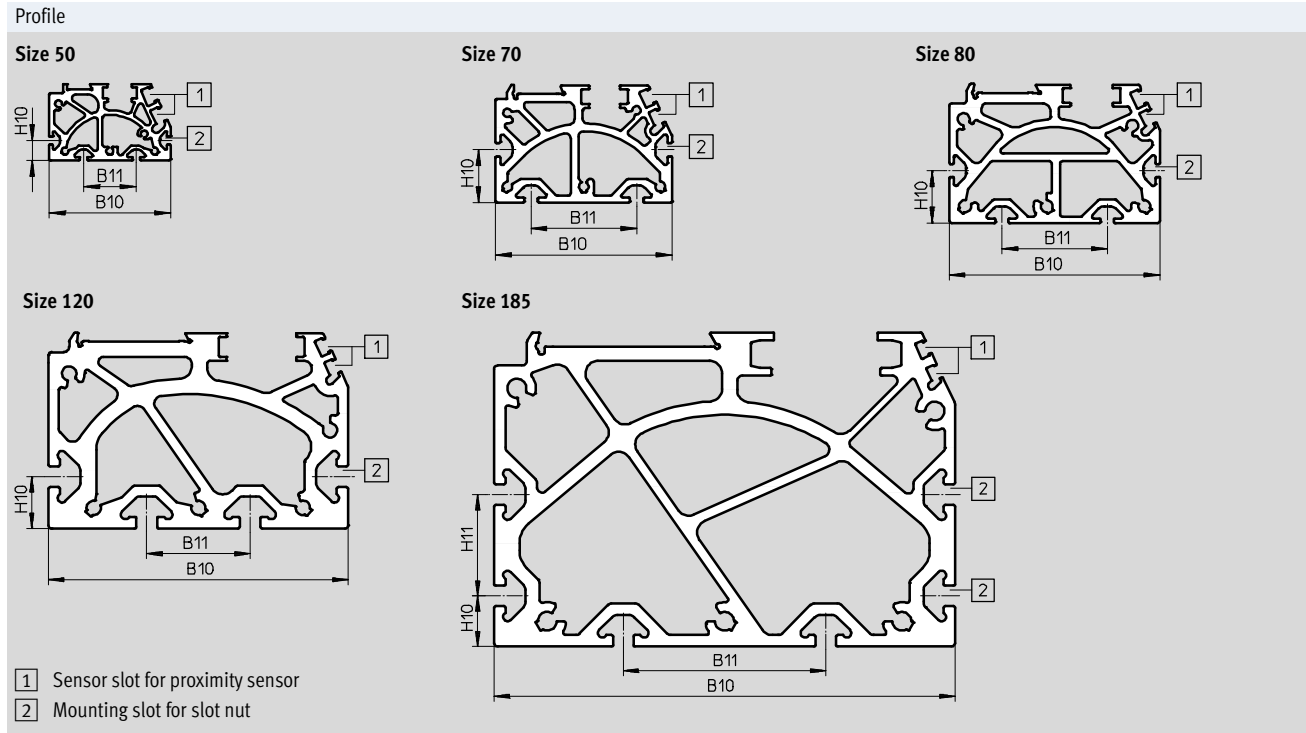
Size	B1	B2	B3	B4	B5	B9	D1	D2	D3	D4	D5	D6
							H7	∅ H7	∅	∅	∅	M4
50	48	39	11.5	20	35	1	27	8	20	15	–	M4
70	69	58.6	16.5	30	45	1	38	10	28	20	–	M5
80	82	72.6	22	40	60	1	48	16	46.5	25	9	M5
120	120	107	33	80	40	1	62	23	59	35	–	M8
185	186	169	53	120	80	1	95	32	90	60	–	M10

Size	D7	D8 ∅ H7	H1	H2	H3	H4	H5	H6	H7	L1		L2	
										GK	GV	GK	GV
50	M3	5	42.5	16.5	37.6	35.5	10.5	10.5	18	155	–	77.5	–
70	M5	5	64	28	53.7	50.8	13	13	29	246	346	123	173
80	M5	5	76.5	34.5	65	61.5	17.5	15	35	286	386	143	193
120	M6	9	111.5	51.6	95.9	91.1	22	22	54	446	546	223	273
185	M8	9	172.5	80.5	152.6	143	25	25	80	612	712	306	356

Size	L3	L4	L5	L6	L8	L9	T1	T2	T4	T6	T7	T8	T9
50	40	26	20	1.8	3	–	1.5	–	5.9	–	7	8	3.1
70	57.5	36	27.5	1.8	3	10.5	2.1	18	7.15	–	10	12	3.1
80	65	46	30	2	3	13	2.1	27	4	2.1	10	10	3.1
120	100	64	50	2	3	18	3.1	29.5	4	–	16	14	2.1
185	140	80	70	2	3	21	2.8	34.5	4	–	20	17	2.1

Toothed belt axes EGC-TB-KF, with recirculating ball bearing guide

Technical data



Size	B10	B11	H10	H11
50	46	20	7.5	-
70	67	40	20	-
80	80	40	20	-
120	116	40	20	-
185	182	80	20	40

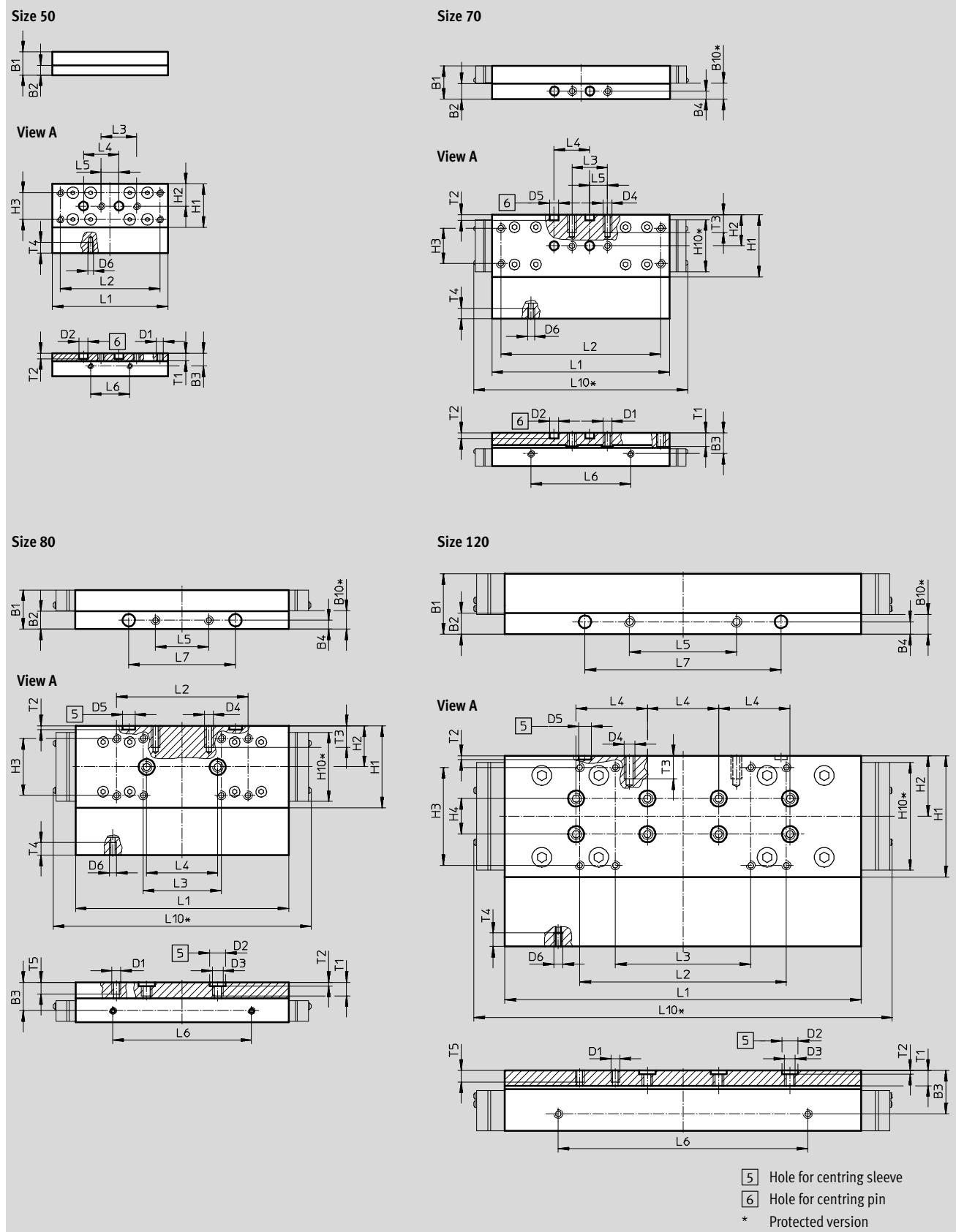
Note
 Flatness of the bearing surface and the attachments. The use in parallel constructions. → www.festo.com

Toothed belt axes EGC-TB-KF, with recirculating ball bearing guide

Technical data

Dimensions Download CAD data → www.festo.com

GK – Standard slide/GP – Standard slide, protected



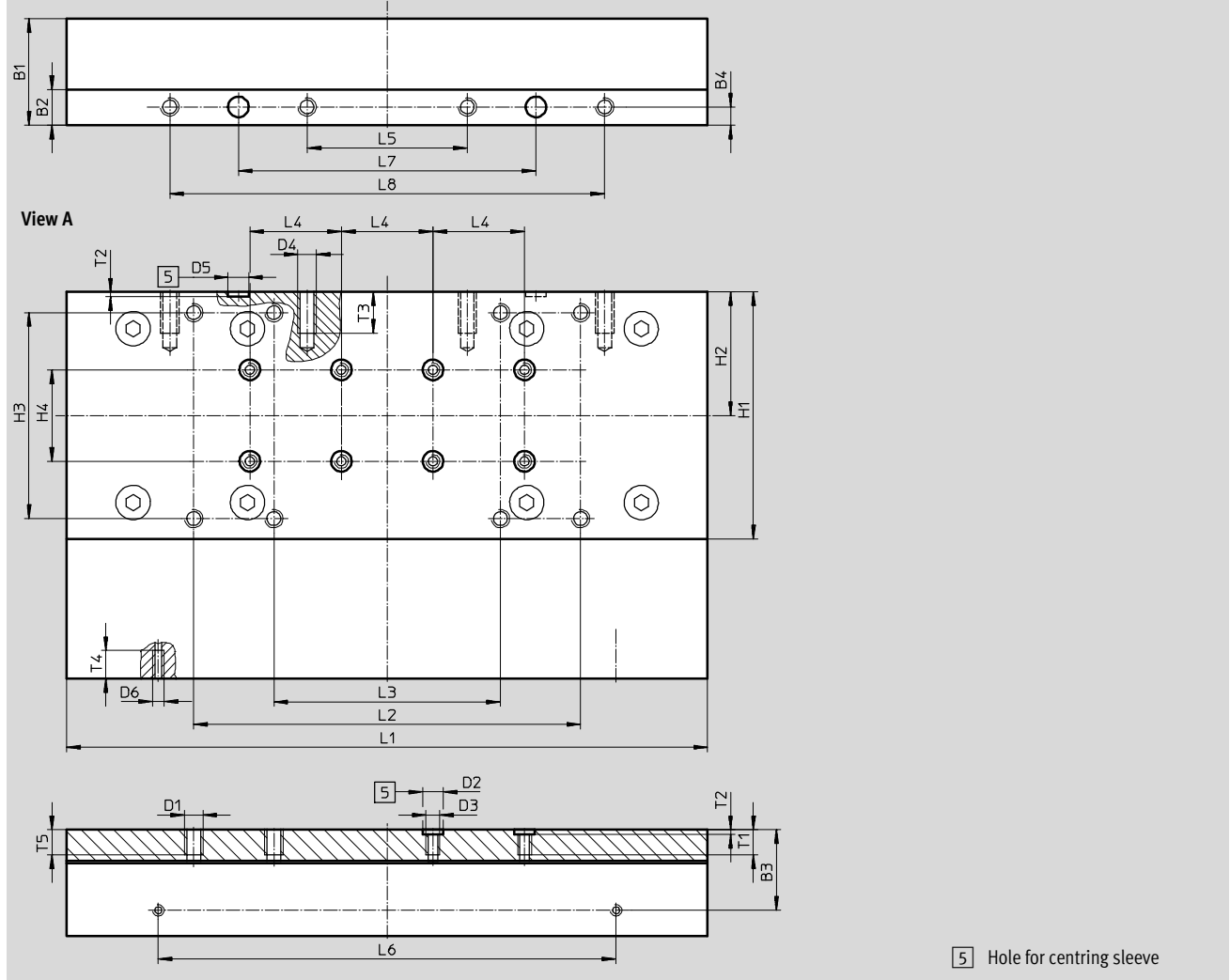
Toothed belt axes EGC-TB-KF, with recirculating ball bearing guide

Technical data

Dimensions Download CAD data → www.festo.com

GK – Standard slide

Size 185



Size	B1	B2	B3	B4	B10*	D1	D2 ∅ H7	D3	D4	D5 ∅ H7	D6	H1	H2	H3	H4 ±0.03
50	13	5.5	7.2	–	–	M4	5	–	–	–	M3	24.5	12.5	15 ±0.1	–
70	18.7	8.7	11.7	4.5	9	M5	5	–	M5	5	M4	35	17.5	20 ±0.1	–
80	22	10	16	5	10.4	M5	9	M6	M5	7	M4	46	23	32 ±0.2	–
120	34	12	24.5	7	11.2	M5	9	M6	M6	7	M5	68	34	55 ±0.2	20
185	46.5	15.5	35.2	8	–	M8	9	M6	M8	9	M5	108	54	90 ±0.2	40

Size	H10*	L1 ±0.1	L2	L3	L4 ±0.03	L5	L6 ±0.1	L7 ±0.05	L8 ±0.2	L10*	T1	T2 +0.1	T3	T4	T5
50	–	65	56 ±0.1	20 ±0.1	20	10 ±0.1	22	–	–	–	4.2	3.1	–	6	–
70	29.4	100	90 ±0.1	20 ±0.1	20	10 ±0.1	56	–	–	121	7.5	3.1	10	6	–
80	39	120	74 ±0.2	44 ±0.2	40	30 ±0.1	78	60	–	145	8.6	2.1	12	7	7.5
120	60.6	203.3	116 ±0.2	76 ±0.2	40	60 ±0.1	140	110	–	235	8.6	2.1	13	7.5	7.5
185	–	282.8	169 ±0.2	99 ±0.2	40	70 ±0.2	200	130	190	–	11	2.1	18	12.3	12

* Protected version

Toothed belt axes EGC-TB-KF, with recirculating ball bearing guide

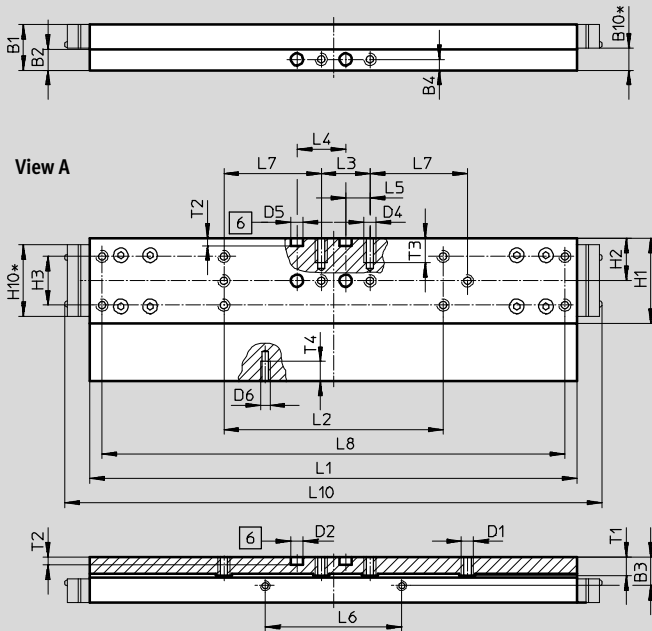
Technical data

Dimensions

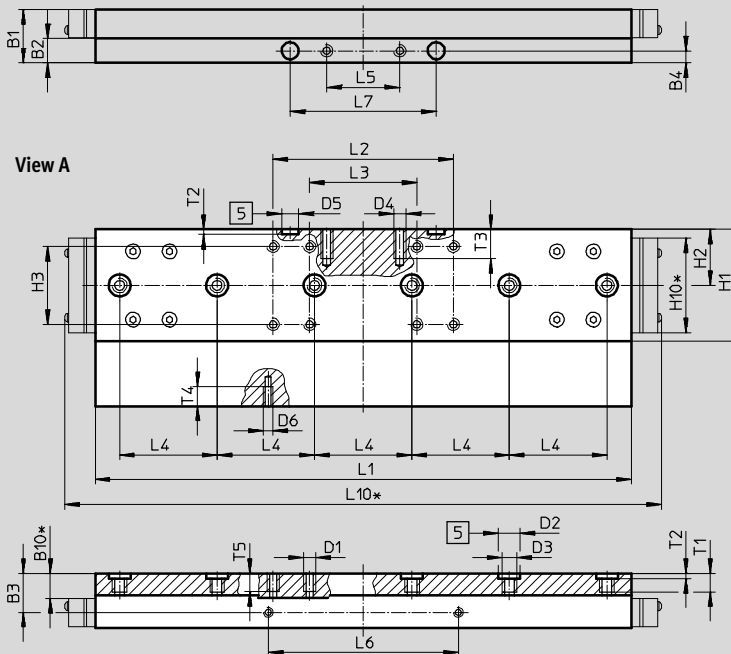
Download CAD data → www.festo.com

GV – Extended slide/GQ – Extended slide, protected

Size 70



Size 80



- 5 Hole for centring sleeve
- 6 Hole for centring pin
- * Protected version

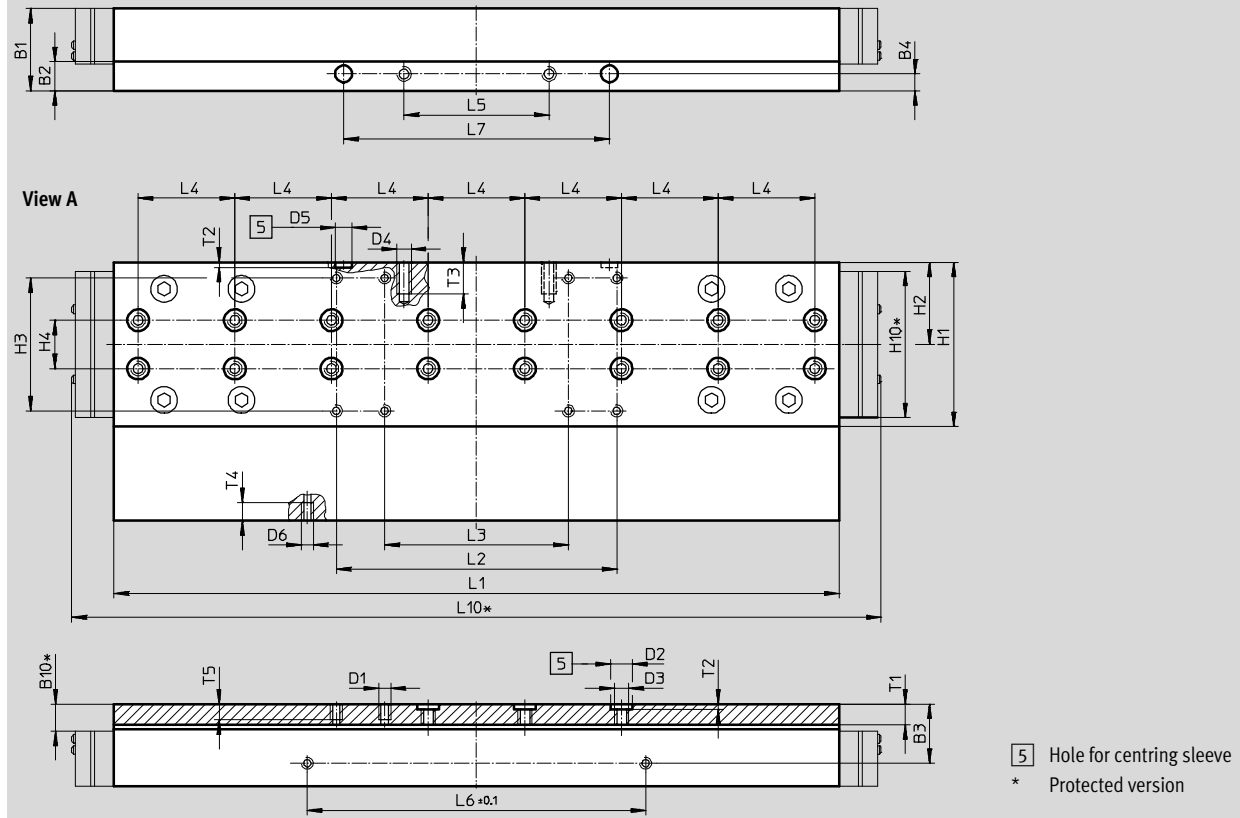
Toothed belt axes EGC-TB-KF, with recirculating ball bearing guide

Technical data

Dimensions Download CAD data → www.festo.com

GV – Extended slide/GQ – Extended slide, protected

Size 120



Size	B1	B2	B3	B4	B10*	D1	D2 ∅ H7	D3	D4	D5 ∅ H7
70	18.7	8.7	11.7	4.5	9	M5	5	–	M5	5
80	22	10	16	5	10.4	M5	9	M6	M5	7
120	34	12	24.5	7	11.2	M5	9	M6	M6	7

Size	D6	H1	H2	H3	H4 ±0.03	H10*	L1 ±0.1	L2	L3	L4 ±0.03
70	M4	35	17.5	20 ±0.1	–	29.4	200	90 ±0.1	20 ±0.1	20
80	M4	46	23	32 ±0.2	–	39	220	74 ±0.2	44 ±0.2	40
120	M5	68	34	55 ±0.2	20	60.6	303.3	116 ±0.2	76 ±0.2	40

Size	L5 ±0.1	L6 ±0.1	L7	L8 ±0.2	L10*	T1	T2 +0.1	T3	T4	T5
70	10	56	40 ±0.1	190	221	7.5	3.1	10	6	–
80	30	78	60 ±0.05	–	245	8.6	2.1	12	7	7.5
120	60	140	110 ±0.05	–	335	8.6	2.1	13	7.5	7.5

* Protected version

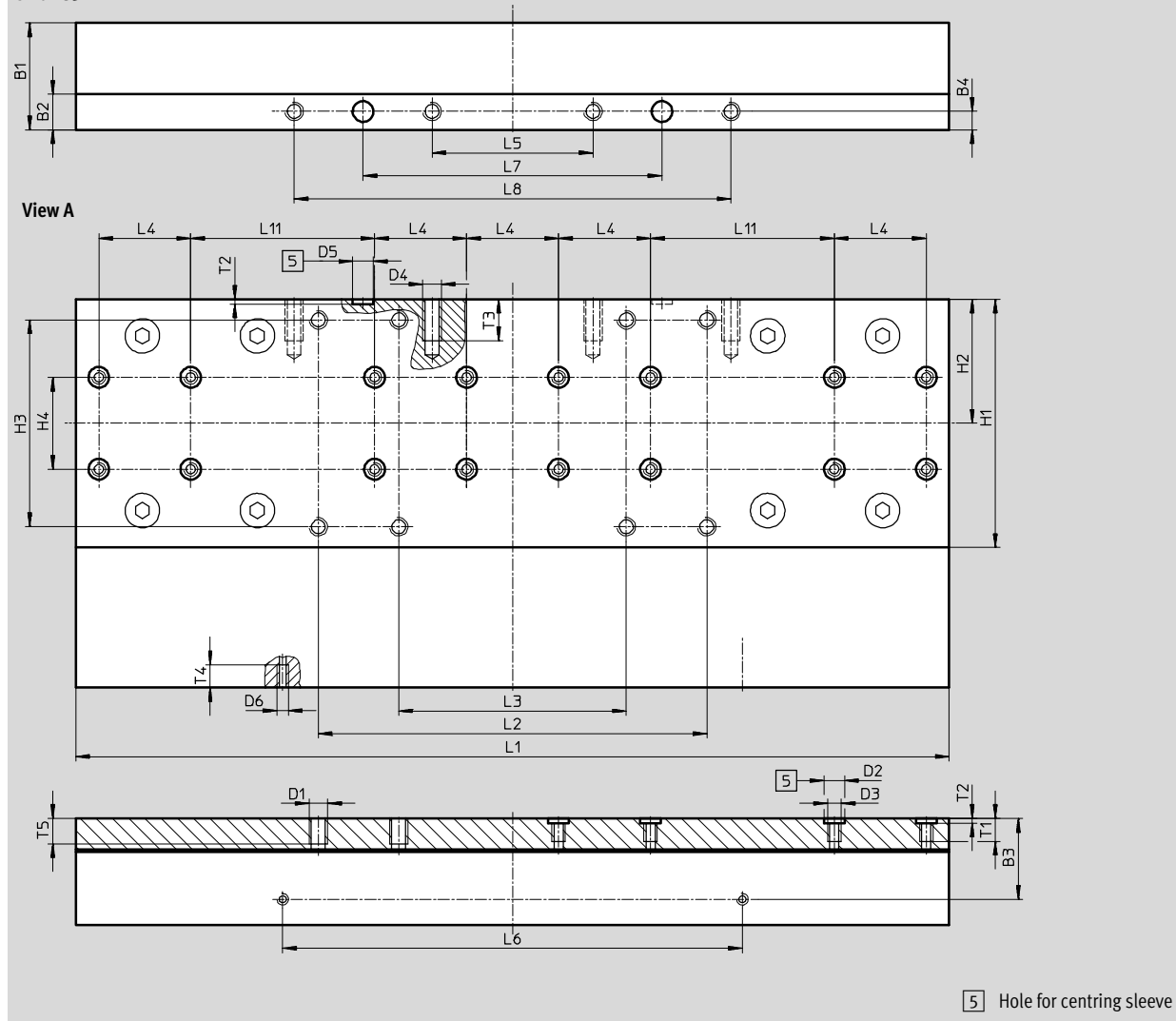
Toothed belt axes EGC-TB-KF, with recirculating ball bearing guide

Technical data

Dimensions Download CAD data → www.festo.com

GV – Extended slide

Size 185



Size	B1	B2	B3	B4	D1	D2 ∅ H7	D3	D4	D5 ∅ H7
185	46.5	15.5	35.2	8	M8	9	M6	M8	9

Size	D6	H1	H2	H3	H4	L1	L2	L3	L4
				±0.2	±0.03	±0.1	±0.2	±0.2	±0.03
185	M5	108	54	90	40	382.8	169	99	40

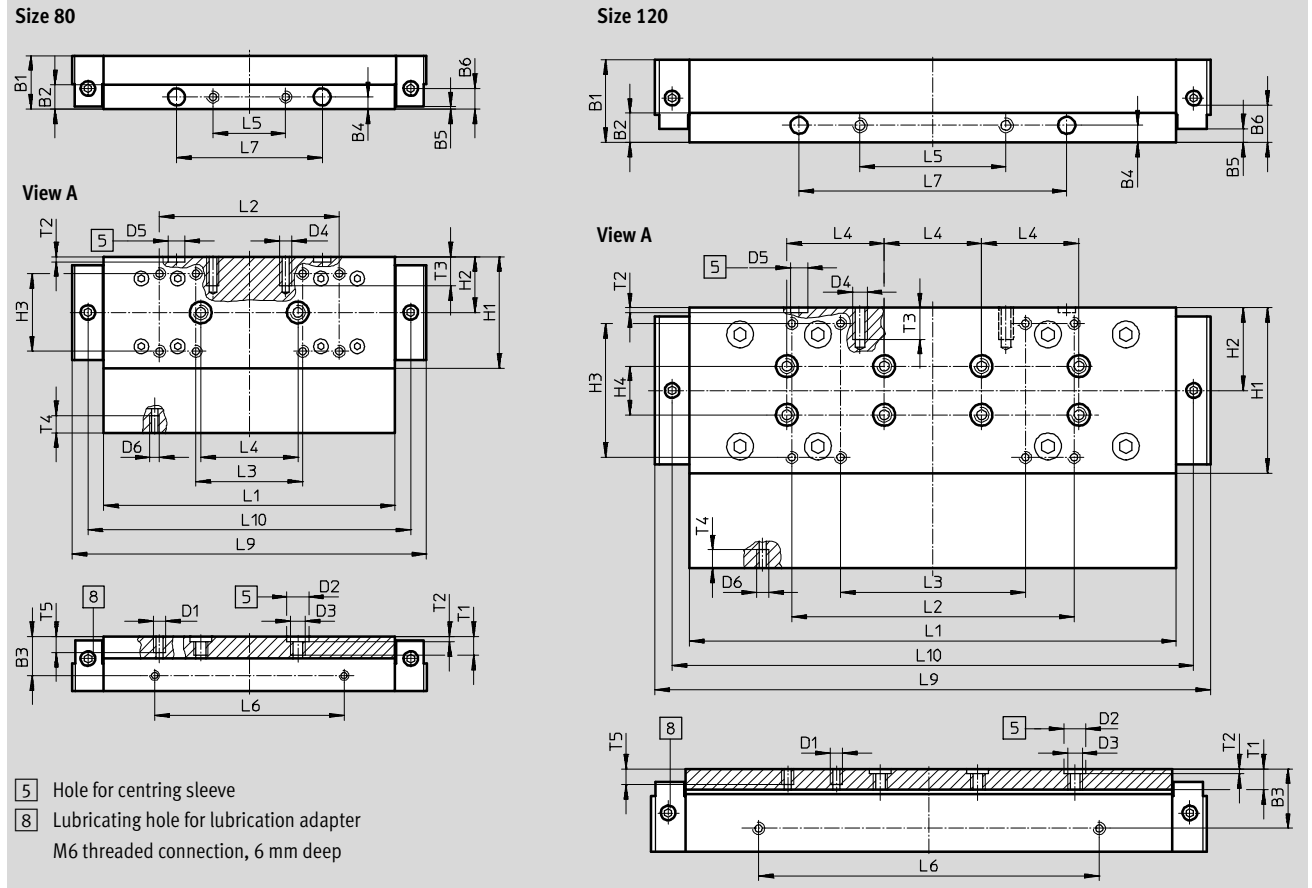
Size	L5	L6	L7	L8	L11	T1	T2	T3	T4	T5
	±0.2	±0.1	±0.05	±0.2	±0.03		+0.1			
185	70	200	130	190	80	11	2.1	18	10	12

Toothed belt axes EGC-TB-KF, with recirculating ball bearing guide

Technical data

Dimensions Download CAD data → www.festo.com

GK-C – Standard slide with lubrication adapter



Size	B1	B2	B3	B4	B5	B6	D1	D2	D3	D4
					±0.1			∅ H7		
80	22	10	16	5	1	8.5	M5	9	M6	M5
120	34	12	24.5	7	5.5	18.2	M5	9	M6	M6

Size	D5	D6	H1	H2	H3	H4	L1	L2	L3	L4
	∅ H7				±0.2	±0.03	±0.1	±0.2	±0.2	±0.03
80	7	M4	46	23	32	–	120	74	44	40
120	7	M5	68	34	55	20	203.3	116	76	40

Size	L5	L6	L7	L9	L10	T1	T2	T3	T4	T5
	±0.1	±0.1	±0.05				+0.1			
80	30	78	60	146	133	8.6	2.1	12	7	7.5
120	60	140	110	226.9	214.3	8.6	2.1	13	7.5	7.5

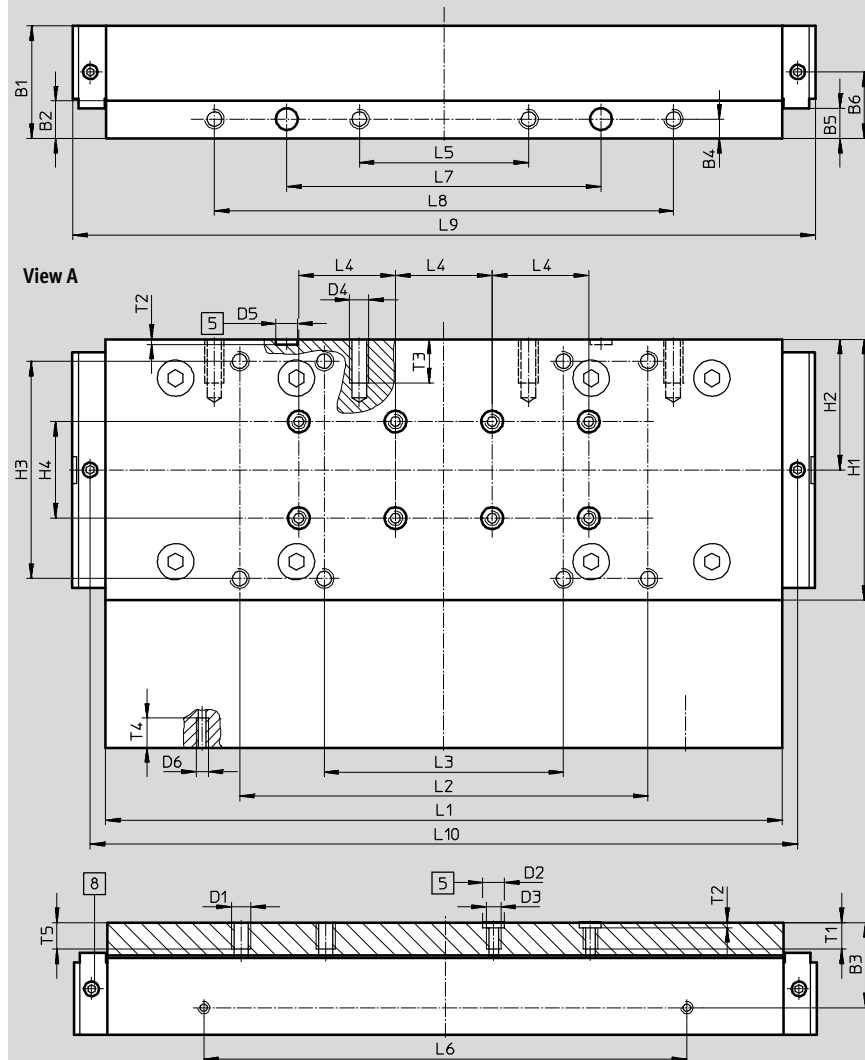
Toothed belt axes EGC-TB-KF, with recirculating ball bearing guide

Technical data

Dimensions Download CAD data → www.festo.com

GK-C – Standard slide with lubrication adapter

Size 185



- 5 Hole for centring sleeve
- 8 Lubricating hole for lubrication adapter
M6 threaded connection, 6 mm deep

Size	B1	B2	B3	B4	B5	B6	D1	D2 ∅ H7	D3	D4
185	46.5	15.5	35.2	8	±0.1 12.5	27.5	M8	9	M6	M8

Size	D5 ∅ H7	D6	H1	H2	H3	H4	L1	L2	L3	L4
185	9	M5	108	54	±0.2 90	±0.03 40	±0.1 282.8	±0.2 169	±0.2 99	±0.03 40

Size	L5	L6	L7	L8	L9	L10	T1	T2	T3	T4	T5
185	±0.2 70	±0.1 200	±0.05 130	±0.2 190	307.4	292.8	11	+0.1 2.1	18	12.3	12

Toothed belt axes EGC-TB-KF, with recirculating ball bearing guide

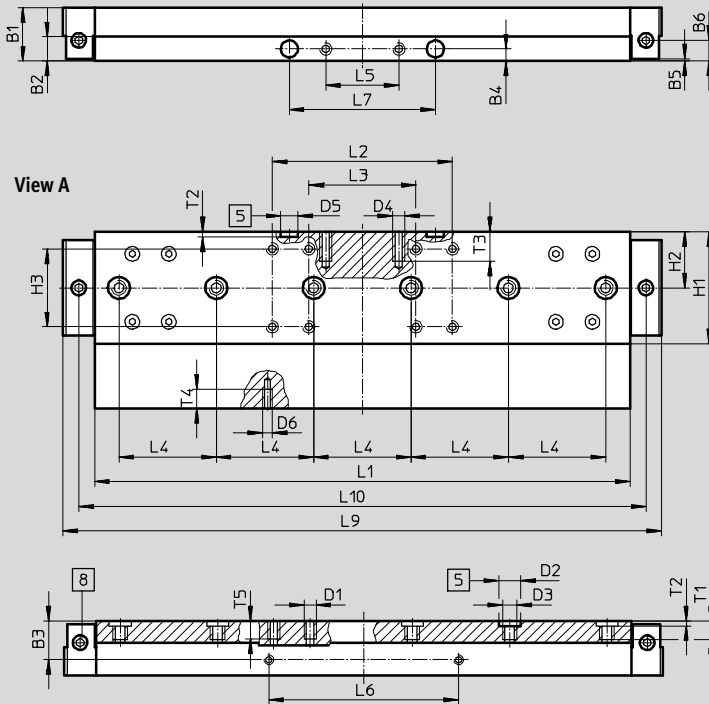
Technical data

Dimensions

Download CAD data → www.festo.com

GV-C – Extended slide with lubrication adapter

Size 80



- 5 Hole for centring sleeve
- 8 Lubricating hole for lubrication adapter
M6 threaded connection, 6 mm deep

Size	B1	B2	B3	B4	B5	B6	D1	D2 ∅ H7	D3	D4
80	22	10	16	5	1 ±0.1	8.5	M5	9	M6	M5

Size	D5 ∅ H7	D6	H1	H2	H3	L1	L2	L3	L4	L5
80	7	M4	46	23	32 ±0.2	220 ±0.1	74 ±0.2	44 ±0.2	40 ±0.03	30 ±0.1

Size	L6	L7	L9	L10	T1	T2	T3	T4	T5
80	78 ±0.1	60 ±0.05	246	233	8.6	2.1 +0.1	12	7	7.5

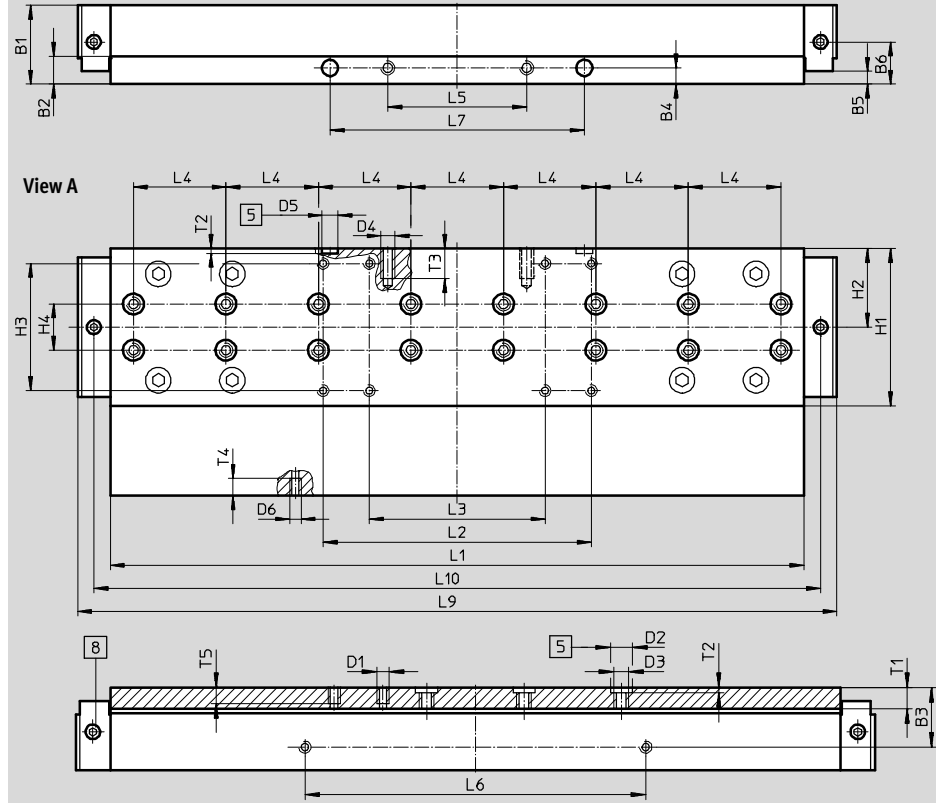
Toothed belt axes EGC-TB-KF, with recirculating ball bearing guide

Technical data

Dimensions Download CAD data → www.festo.com

GV-C – Extended slide with lubrication adapter

Size 120



- 5 Hole for centring sleeve
 - 8 Lubricating hole for lubrication adapter
- M6 threaded connection, 6 mm deep

Size	B1	B2	B3	B4	B5	B6	D1	D2 ∅ H7	D3	D4
120	34	12	24.5	7	±0.1 5.5	18.2	M5	9	M6	M6

Size	D5 ∅ H7	D6	H1	H2	H3	H4	L1	L2	L3	L4
120	7	M5	68	34	±0.2 55	±0.03 20	±0.1 303.3	±0.2 116	±0.2 76	±0.03 40

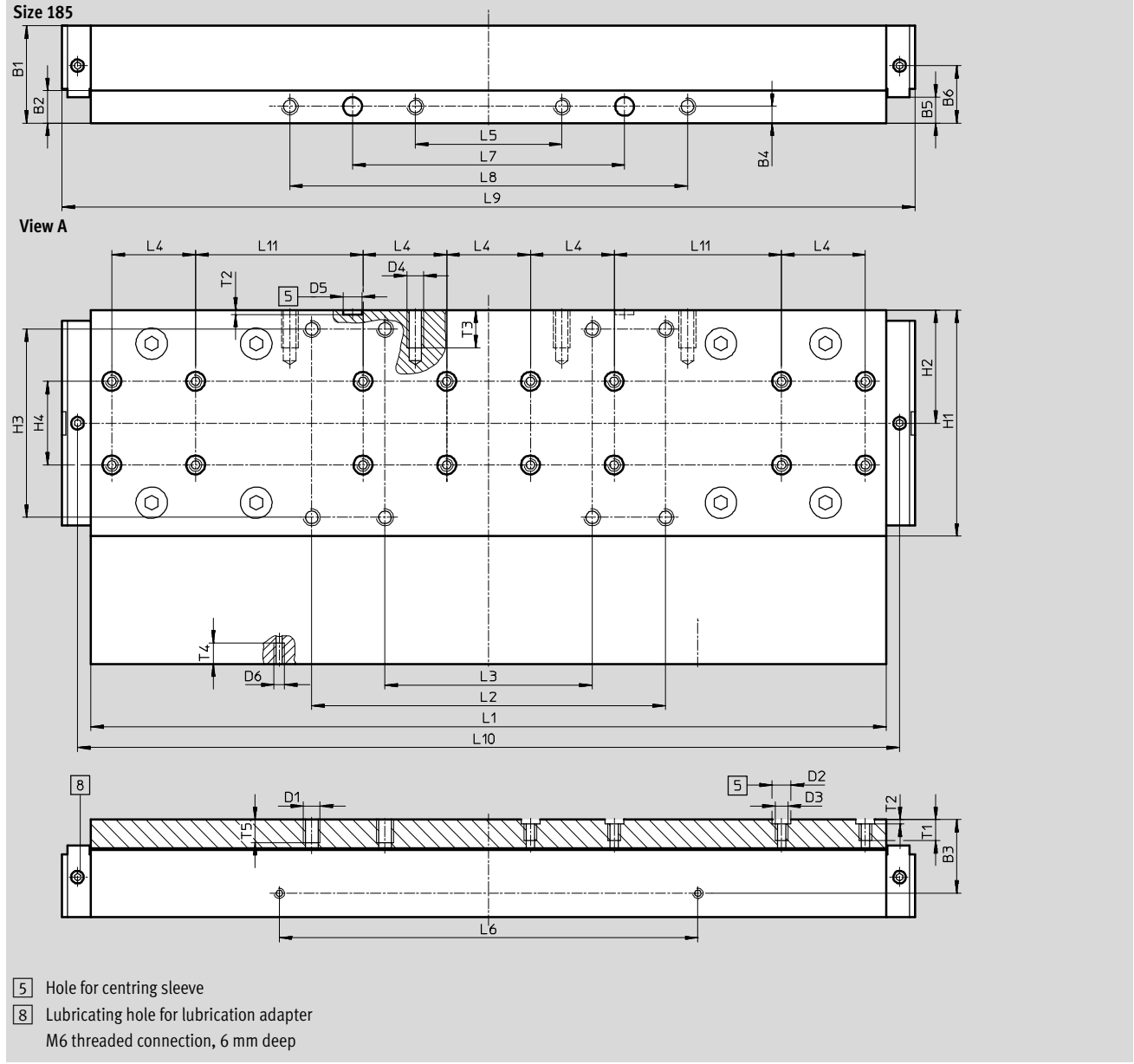
Size	L5	L6	L7	L9	L10	T1	T2	T3	T4	T5
120	±0.1 60	±0.1 140	±0.05 110	326.9	314.3	8.6	±0.1 2.1	13	7.5	7.5

Toothed belt axes EGC-TB-KF, with recirculating ball bearing guide

Technical data

Dimensions Download CAD data → www.festo.com

GV-C – Extended slide with lubrication adapter



Size	B1	B2	B3	B4	B5	B6	D1	D2 ∅ H7	D3	D4
185	46.5	15.5	35.2	8	±0.1 12.5	27.5	M8	9	M6	M8

Size	D5 ∅ H7	D6	H1	H2	H3	H4	L1	L2	L3	L4	L5
185	9	M5	108	54	±0.2 90	±0.03 40	±0.1 382.8	±0.2 169	±0.2 99	±0.03 40	±0.2 70

Size	L6	L7	L8	L9	L10	L11	T1	T2	T3	T4	T5
185	±0.1 200	±0.05 130	±0.2 190	407.4	392.8	±0.03 80	11	+0.1 2.1	18	10	12

Toothed belt axes EGC-TB-KF, with recirculating ball bearing guide

Technical data

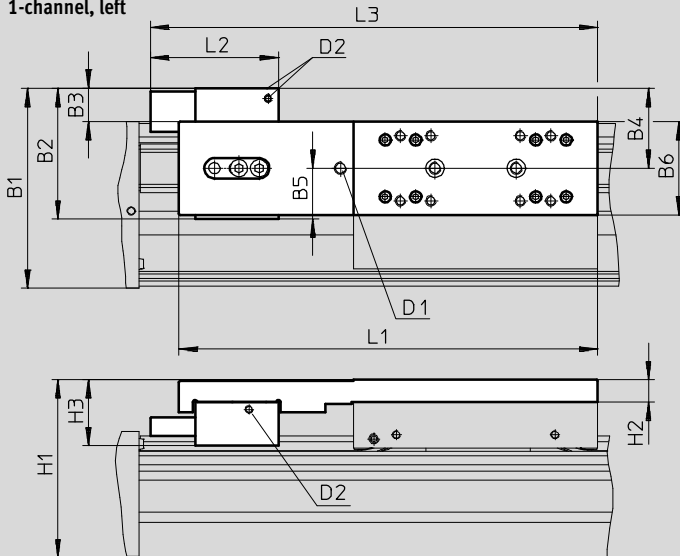
Dimensions

Download CAD data → www.festo.com

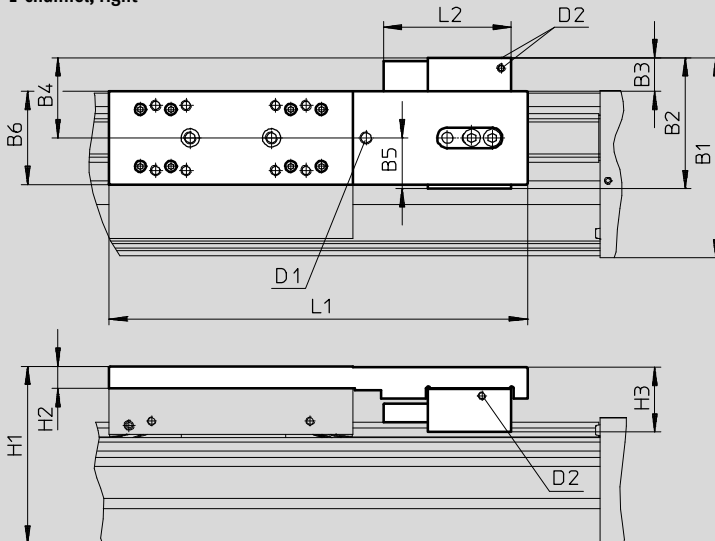
1HL/1HR – With clamping unit

Size 80

1-channel, left



1-channel, right



D1 Optional: Threaded connection for lubrication adapter

D2 Compressed air supply

Working stroke reduction in combination with additional slide → page 21

Toothed belt axes EGC-TB-KF, with recirculating ball bearing guide

Technical data

Dimensions Download CAD data → www.festo.com

2H – With clamping unit

Size 80
2-channel

D1 Optional: Threaded connection for lubrication adapter
D2 Compressed air supply

Working stroke reduction in combination with additional slide → page 21

Type	B1	B2	B3	B4	B5	B6	H1	H2	H3	D1	D2	L1	L2	L3											
EGC-80-...-1HL-PN	98.4	64.4	17.4	39.4	25	46	87.5	11	32.4	M6	M5	206	63	220											
EGC-80-...-1HR-PN														-											
EGC-80-...-C-1HL-PN														220											
EGC-80-...-C-1HR-PN																						292		-	
EGC-80-...-2H-PN																									306
EGC-80-...-C-2H-PN																									

Toothed belt axes EGC-TB-KF, with recirculating ball bearing guide

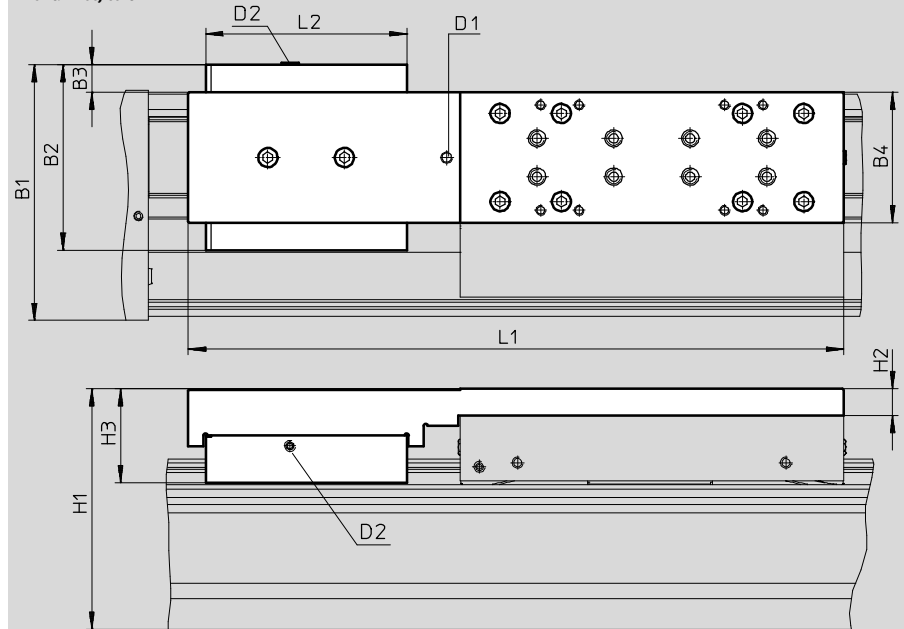
Technical data

Dimensions Download CAD data → www.festo.com

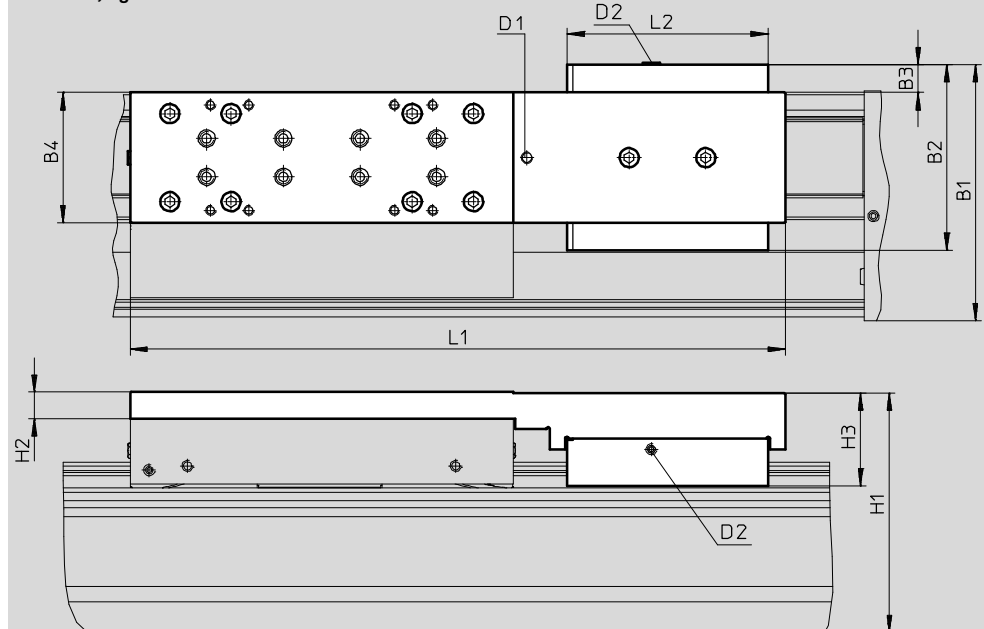
1HL/1HR – With clamping unit

Size 120/185

1-channel, left



1-channel, right



- D1 Optional: Threaded connection for lubrication adapter
- D2 Compressed air supply

Working stroke reduction in combination with additional slide → page 21

Toothed belt axes EGC-TB-KF, with recirculating ball bearing guide

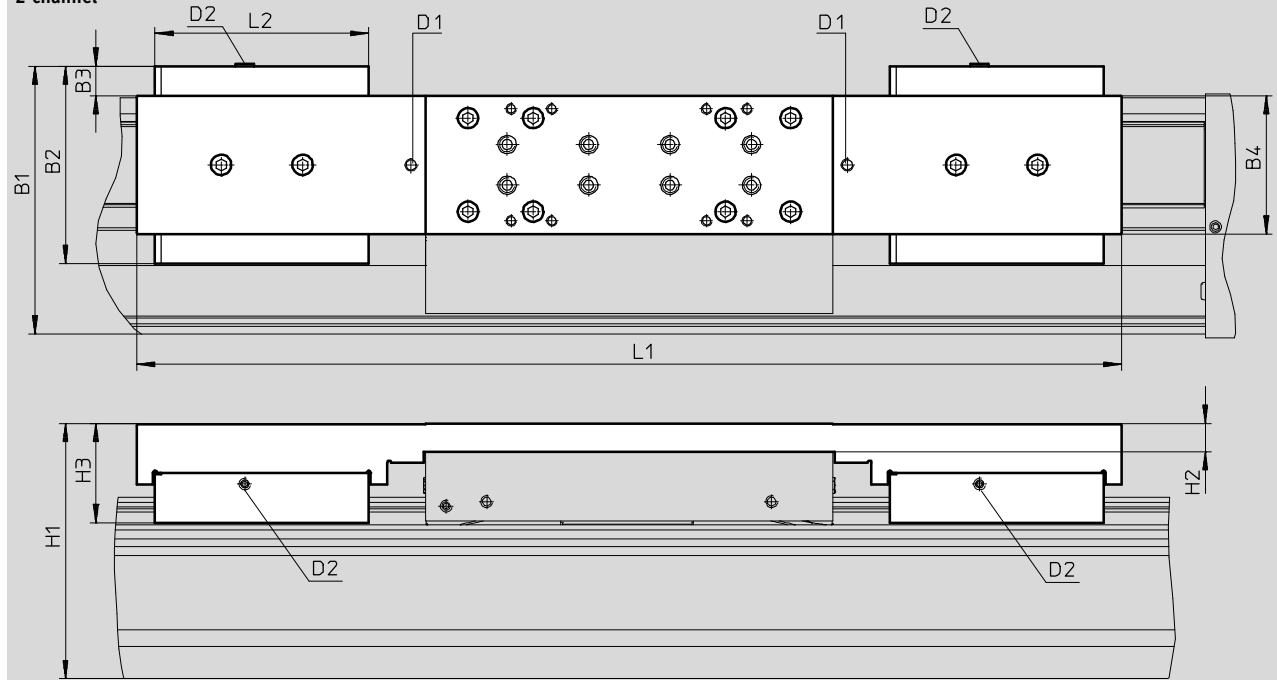
Technical data

Dimensions Download CAD data → www.festo.com

2H – With clamping unit

Size 120/185

2-channel



- D1 Optional: Threaded connection for lubrication adapter
- D2 Compressed air supply

Working stroke reduction in combination with additional slide → page 21

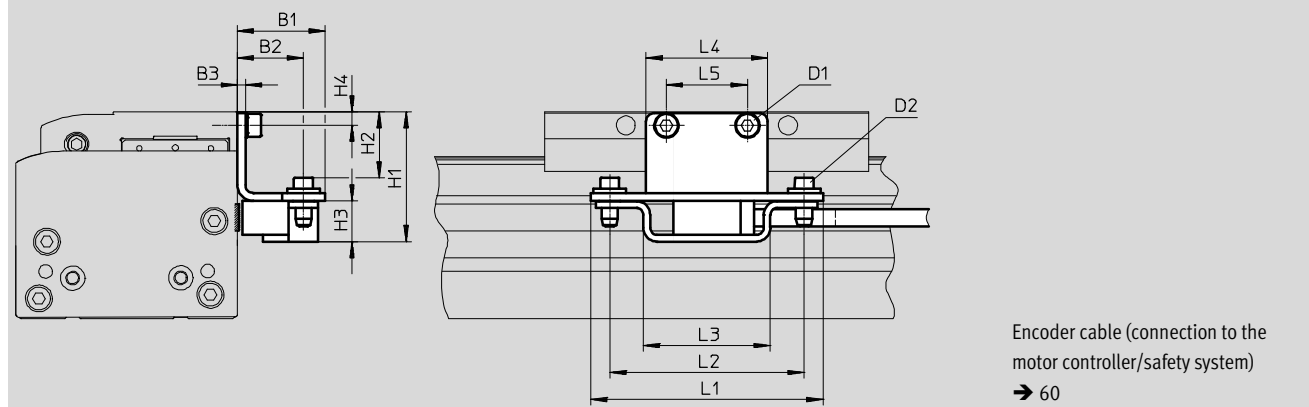
Type	B1	B2	B3	B4	H1	H2	H3	D1	D2	L1	L2
Size 120											
EGC-120-...-1HL-PN	133.5	97	15.5	68	125.5	14	48.9	M6	M5	342	105
EGC-120-...-1HR-PN											
EGC-120-...-C-1HL-PN											
EGC-120-...-C-1HR-PN											
EGC-120-...-2H-PN											
EGC-120-...-C-2H-PN										484	
Size 185											
EGC-185-...-1HL-PN	196.5	131	12.5	108	189.5	17	64.1	M6	M5	432	109
EGC-185-...-1HR-PN											
EGC-185-...-C-1HL-PN											
EGC-185-...-C-1HR-PN											
EGC-185-...-2H-PN											
EGC-185-...-C-2H-PN										584	

Toothed belt axes EGC-TB-KF, with recirculating ball bearing guide

Technical data

Dimensions Download CAD data → www.festo.com

M1/M2 – With incremental displacement encoder



Type	B1	B2	B3	H1	H2	H3	H4
EGC-70-...-M1	32.5	24.5	3	39	18.4	15	4.5
EGC-70-...-M2				39	18.4		4.5
EGC-80-...-M1				48	24.4		5
EGC-80-...-M2				48	24.4		5
EGC-120-...-M1				60	36.4		7
EGC-120-...-M2				60	36.4		7
EGC-185-...-M1				78.5	54.9		8
EGC-185-...-M2				78.5	54.9		8

Type	D1	D2	L1	L2	L3	L4	L5
EGC-70-...-M1	M5x8	M4x14	86	72	47	35	20
EGC-70-...-M2	M5x8					35	20
EGC-80-...-M1	M5x8					45	30
EGC-80-...-M2	M5x8					45	30
EGC-120-...-M1	M6x10					86	60
EGC-120-...-M2	M6x10					86	60
EGC-185-...-M1	M8x12					86	70
EGC-185-...-M2	M8x12					86	70

Toothed belt axes EGC-TB-KF, with recirculating ball bearing guide

Technical data

★ Core product range

Ordering data – Stock items

Features:

- Stroke reserve: 0 mm
- Standard slide

Size	Stroke [mm]	Part No.	Type
70	300	★ 3012492	EGC-70-300-TB-KF-0H-GK
	400	★ 3012493	EGC-70-400-TB-KF-0H-GK
	500	★ 3012494	EGC-70-500-TB-KF-0H-GK
	600	★ 3012495	EGC-70-600-TB-KF-0H-GK
	800	★ 3012496	EGC-70-800-TB-KF-0H-GK
	1000	★ 3012497	EGC-70-1000-TB-KF-0H-GK
	1200	★ 3012498	EGC-70-1200-TB-KF-0H-GK
80	400	★ 575832	EGC-80-400-TB-KF-0H-GK
	500	★ 3013354	EGC-80-500-TB-KF-0H-GK
	600	★ 3013355	EGC-80-600-TB-KF-0H-GK
	800	★ 3013356	EGC-80-800-TB-KF-0H-GK
	1000	★ 3013357	EGC-80-1000-TB-KF-0H-GK
	1200	★ 3013359	EGC-80-1200-TB-KF-0H-GK
120	400	★ 3013364	EGC-120-400-TB-KF-0H-GK
	500	★ 3013365	EGC-120-500-TB-KF-0H-GK
	600	★ 3013366	EGC-120-600-TB-KF-0H-GK
	800	★ 3013367	EGC-120-800-TB-KF-0H-GK
	1000	★ 3013368	EGC-120-1000-TB-KF-0H-GK
	1200	★ 3013369	EGC-120-1200-TB-KF-0H-GK
	1500	★ 3013370	EGC-120-1500-TB-KF-0H-GK

Festo core product range

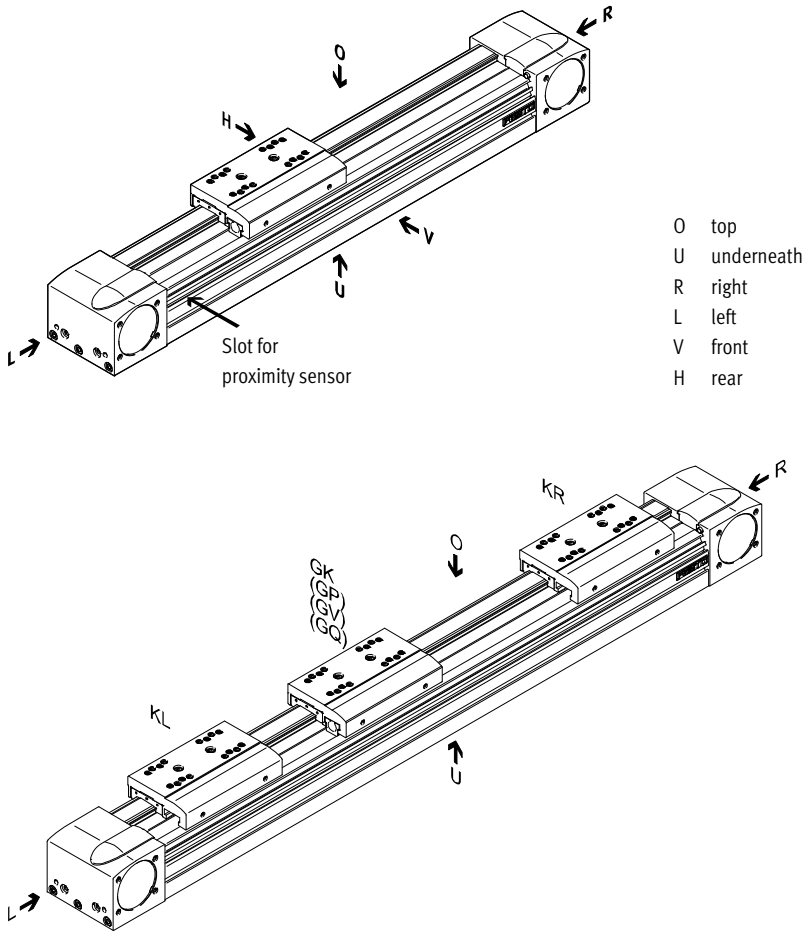
- ★ Ready for dispatch from the Festo factory in 24 hours
- ★ Ready for dispatch in 5 days maximum from stock

Toothed belt axes EGC-TB-KF, with recirculating ball bearing guide

Ordering data – Modular products

Order code

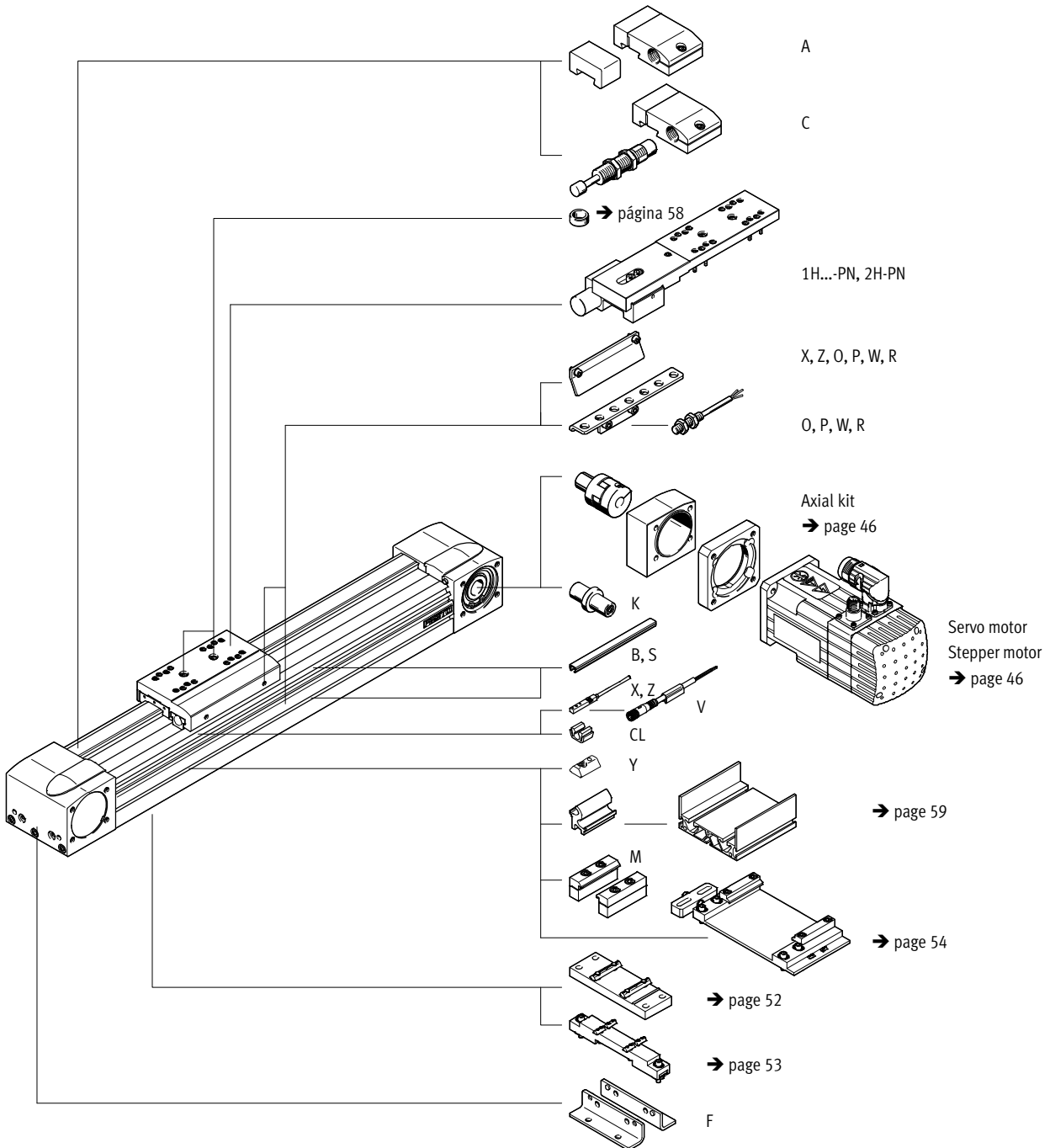
Mandatory data



Toothed belt axes EGC-TB-KF, with recirculating ball bearing guide

Ordering data – Modular products

Order code
Accessories



Toothed belt axes EGC-TB-KF, with recirculating ball bearing guide

Ordering data – Modular products

Ordering table								
Size	50	70	80	120	185	Condi- tions	Code	Enter code
M Module No.	556812	556813	556814	556815	556817			
Design	Linear axis						EGC	EGC
Size	50	70	80	120	185		★ -...	-...
Stroke length [mm]	50 ... 1900	50 ... 5000	50 ... 8500	50 ... 8500 (50 ... 8400 with GV, GQ)	50 ... 8500 (50 ... 8400 with GV, GQ)	1	★ -...	-...
Function	Toothed belt						★ -TB	-TB
Guide	Recirculating ball bearing guide						★ -KF	-KF
Stroke reserve [mm]	0 ... 999 (0 = no stroke reserve)					1	★ -...H	
Slide	Standard slide						★ -GK	
	-	Extended slide, protected			-		★ -GQ	
	-	Standard slide, protected			-		★ -GP	
	-	Extended slide			-		★ -GV	
O Additional slide	Left	Additional slide, standard, on left				2	★ -KL	
	Right	Additional slide, standard, on right				2	★ -KR	
Lubrication function	Standard						★	
	-	Lubrication adapter			-		★ -C	
	-	without			-		★	
Displacement encoder, incremental	-	Resolution: 2.5 µm			-		-M1	
	-	Resolution: 10 µm			-		-M2	
	-	without			-		★	
Clamping unit	-	without			-		★	
	-	1-channel, left			3		-1HL	
	-	1-channel, right			3		-1HR	
	-	2-channel			3		-2H	
Actuation type	-	without			-		★	
	-	Pneumatic			-		-PN	

- 1 -... The sum of the stroke length and 2x stroke reserve must not exceed the maximum stroke length
- 2 **KL, KR** If the protected slide variant (GQ, GP) is selected, then the additional slide (KL, KR) is also protected
If the extended slide variant (GQ, GV) is selected, then the additional slide (KL, KR) is not extended
If the slide with lubrication adapter (GK-C) is selected, the additional slide (KL, KR) is also supplied with lubrication adapter
Working stroke reduction in combination with additional slide (KL, KR) → page 20
- 3 **1HL, 1HR, 2H** Not with slide GQ, GV as well as additional slide KL, KR
Only with PN
Working stroke reduction in combination with clamping unit (1HL, 1HR, 2H) → page 21

M Mandatory data
O Options

Order code

EGC - - - **TB** - **KF** - - - - - - - - -

Festo core product range ★ Ready for dispatch from the Festo factory in 24 hours
★ Ready for dispatch in 5 days maximum from stock

Toothed belt axes EGC-TB-KF, with recirculating ball bearing guide



Ordering data – Modular products

Ordering table		50	70	80	120	185	Condi- tions	Code	Enter code	
↓	Accessories	Accessories enclosed separately							ZUB-	ZUB-
⓪	Foot mounting	1						F		
	Profile mounting	1 ... 50						...M		
	Cover	Mounting slot	–	1 ... 50 (1 = 2 units, 500 mm)				...B		
		Sensor slot	1 ... 50 (1 = 2 units, 500 mm)				...S			
	Slot nut for mounting slot	1 ... 99						...Y		
	Proximity sensor (SIES), N/O contact, 7.5 m cable inductive, slot type 8, PNP, incl. switch lug	N/C contact, 7.5 m cable	1 ... 6					...X		
		N/O contact, 7.5 m cable	1 ... 6					...Z		
	Emergency buffer with retainer	–	1 ... 2				4	...A		
	Shock absorber with retainer	1 ... 2					5	...C		
	Proximity sensor (SIEN), inductive, M8, PNP, incl. switch lug with sensor bracket	N/O contact, 2.5 m cable	–	1 ... 99				...O		
		N/C contact, 2.5 m cable	–	1 ... 99				...P		
	Connecting cable 2.5 m, M8, 3-wire	N/O contact, plug M8	–	1 ... 99				...W		
		N/C contact, plug M8	–	1 ... 99				...R		
	Drive shaft	1 ... 4					6	...K		
	Cable clip	10, 20, 30, 40, 50, 60, 70, 80, 90							...CL	
	Operating instructions	Express waiver - no operating instructions to be included (already available) (operating instructions in pdf format are available free of charge on the Internet at www.festo.com)							-DN	

- 4** ...A Emergency buffer with retainer A cannot be combined with slide GP, GQ, GK-C, GV-C, shock absorber with retainer C and clamping unit 1H...-PN, 2H-PN
- 5** ...C Shock absorber with retainer C cannot be combined with slide GP, GQ, GK-C, GV-C, emergency buffer with retainer A and clamping unit 1H...-PN, 2H-PN
- 6** ...K No drive shaft is required for the axis/motor combinations → from page 46.

Note

The code X, Z includes a switch lug in the scope of delivery.

The code O, P, W, R includes one switch lug and max. two sensor brackets in the scope of delivery.

M Mandatory data


O Options

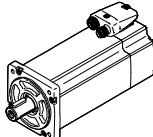
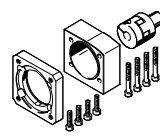
Transfer order code

ZUB – –

Toothed belt axes EGC-TB-KF, with recirculating ball bearing guide

Accessories

 Note
Depending on the combination of motor and drive, it may not be possible to reach the maximum feed force of the drive.

Permissible axis/motor combinations with axial kit – Without gear unit			Technical data → Internet: eamm-a
Motor ¹⁾	Axial kit		
Type	Part No.	Type	
			
EGC-50			
With servo motor			
EMMS-AS-55-...	557975	EAMM-A-L27-55A	
With stepper motor			
EMMS-ST-57-...	★ 560678	EAMM-A-L27-57A	
With integrated drive			
EMCA-EC-67-...	1454261	EAMM-A-L27-67A	
EGC-70			
With servo motor			
EMMS-AS-55-...	3683331	EAMM-A-L38-55A	
EMME-AS-60-...	★ 2037246	EAMM-A-L38-60P	
EMMS-AS-70-...	557979	EAMM-A-L38-70A	
With stepper motor			
EMMS-ST-57-...	★ 560679	EAMM-A-L38-57A	
EMMS-ST-87-...	★ 560680	EAMM-A-L38-87A	
EGC-80			
With servo motor			
EMMS-AS-70-...	557982	EAMM-A-L48-70A	
EMME-AS-80-...	★ 2042616	EAMM-A-L48-80P	
EMME-AS-100-...	557984	EAMM-A-L48-100A	
EMMS-AS-100-...	557984	EAMM-A-L48-100A	
With stepper motor			
EMMS-ST-87-...	★ 560683	EAMM-A-L48-87A	
EGC-120			
With servo motor			
EMME-AS-100-...	★ 557988	EAMM-A-L62-100A	
EMMS-AS-100-...	★ 557988	EAMM-A-L62-100A	
EMMS-AS-140-...	557990	EAMM-A-L62-140A	
EGC-185			
With servo motor			
EMMS-AS-140-...	3657226	EAMM-A-L95-140A-G2	
EMMS-AS-190-...	3659562	EAMM-A-L95-190A-G2	

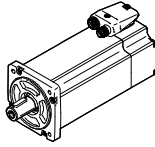
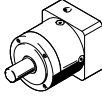
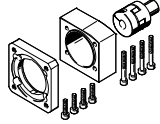
1) The input torque must not exceed the maximum permissible transferable torque of the axial kit.

Festo core product range

- ★ Ready for dispatch from the Festo factory in 24 hours
- ★ Ready for dispatch in 5 days maximum from stock

Toothed belt axes EGC-TB-KF, with recirculating ball bearing guide

Accessories

Permissible axis/motor combinations with axial kit – With gear unit		Technical data → Internet: eamm-a	
Motor ¹⁾	Gear unit	Axial kit	
			
Type	Type	Part No.	Type
EGC-50			
With servo motor			
EMME-AS-40-...	EMGA-40-P-G...-EAS-40	★ 557974	EAMM-A-L27-40G
EMMS-AS-40-...	EMGA-40-P-G...-SAS-40	★ 557974	EAMM-A-L27-40G
With stepper motor			
EMMS-ST-42-...	EMGA-40-P-G...-SST-42	★ 557974	EAMM-A-L27-40G
With integrated drive			
EMCA-EC-67-...	EMGC-40-...	★ 557974	EAMM-A-L27-40G
EGC-70			
With servo motor			
EMMS-AS-55-...	EMGA-60-P-G...-SAS-55	★ 557978	EAMM-A-L38-60G
EMME-AS-60-...	EMGA-60-P-G...-EAS-60	1456610	EAMM-A-L38-60H
EMMS-AS-70-...	EMGA-60-P-G...-SAS-70	★ 557978	EAMM-A-L38-60G
With stepper motor			
EMMS-ST-57-...	EMGA-60-P-G...-SST-57	★ 557978	EAMM-A-L38-60G
With integrated drive			
EMCA-EC-67-...	EMGC-60-...	1456610	EAMM-A-L38-60H
EGC-80			
With servo motor			
EMMS-AS-55-...	EMGA-60-P-G...-SAS-55	★ 557983	EAMM-A-L48-60G
EMME-AS-60-...	EMGA-60-P-G...-EAS-60	1456611	EAMM-A-L48-60H
EMMS-AS-70-...	EMGA-60-P-G...-SAS-70	★ 557983	EAMM-A-L48-60G
With stepper motor			
EMMS-ST-57-...	EMGA-60-P-G...-SST-57	★ 557983	EAMM-A-L48-60G
EGC-120			
With servo motor			
EMMS-AS-70-...	EMGA-80-P-G...-SAS-70	★ 557989	EAMM-A-L62-80G
EMME-AS-80-...	EMGA-80-P-G...-EAS-80	★ 557989	EAMM-A-L62-80G
EMME-AS-100-...	EMGA-80-P-G...-SAS-100	★ 557989	EAMM-A-L62-80G
EMMS-AS-100-...	EMGA-80-P-G...-SAS-100	★ 557989	EAMM-A-L62-80G
With stepper motor			
EMMS-ST-87-...	EMGA-80-P-G...-SST-87	★ 557989	EAMM-A-L62-80G
EGC-185			
With servo motor			
EMMS-AS-70-...	EMGA-80-P-G...-SAS-70	3660191	EAMM-A-L95-80G-G2
EMME-AS-80-...	EMGA-80-P-G...-EAS-80	3660191	EAMM-A-L95-80G-G2
EMME-AS-100-...	EMGA-80-P-G...-SAS-100	3660191	EAMM-A-L95-80G-G2
EMMS-AS-100-...	EMGA-80-P-G...-SAS-100	3660191	EAMM-A-L95-80G-G2
EMME-AS-100-...	EMGA-120-P-G...-SAS-100	★ 3659941	EAMM-A-L95-120G-G2
EMMS-AS-100-...	EMGA-120-P-G...-SAS-100	★ 3659941	EAMM-A-L95-120G-G2
EMMS-AS-140-...	EMGA-120-P-G...-SAS-140	★ 3659941	EAMM-A-L95-120G-G2

1) The input torque must not exceed the maximum permissible transferable torque of the axial kit.

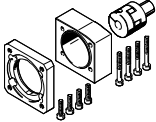
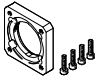
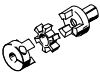
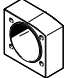

Festo core product range

- ★ Ready for dispatch from the Festo factory in 24 hours
- ☆ Ready for dispatch in 5 days maximum from stock

Toothed belt axes EGC-TB-KF, with recirculating ball bearing guide

FESTO

Accessories

Component parts of the axial kit – Without gear unit				
Axial kit	Comprises:			
	Motor flange	Coupling	Coupling housing	Screw set
				
Part No. Type	Part No. Type	Part No. Type	Part No. Type	Part No. Type
EGC-50				
557975 EAMM-A-L27-55A	558016 EAMF-A-L27-55A	557999 EAMD-19-15-9-8X10	–	–
★ 560678 EAMM-A-L27-57A	560690 EAMF-A-L27-57A	561292 EAMD-16-15-6,35-8X10	–	–
1454261 EAMM-A-L27-67A	1460087 EAMF-A-L27-67A	557999 EAMD-19-15-9-8X10	–	–
EGC-70				
3683331 EAMM-A-L38-55A	558176 EAMF-A-38A-55A	3717923 EAMD-25-22-9-10X12	558011 EAMK-A-L38-38A	567484 EAHM-L2-M5-30
★ 2037246 EAMM-A-L38-60P	1987412 EAMF-A-38A-60P	1453861 EAMD-28-22-14-10X12	558011 EAMK-A-L38-38A	567485 EAHM-L2-M5-35
557979 EAMM-A-L38-70A	558018 EAMF-A-38A-70A	558000 EAMD-25-22-11-10X12	558011 EAMK-A-L38-38A	567484 EAHM-L2-M5-30
560679 EAMM-A-L38-57A	560692 EAMF-A-38A-57A	561293 EAMD-25-22-6,35-10X12	558011 EAMK-A-L38-38A	567484 EAHM-L2-M5-30
★ 560680 EAMM-A-L38-87A	560693 EAMF-A-38A-87A	558000 EAMD-25-22-11-10X12	558011 EAMK-A-L38-38A	567485 EAHM-L2-M5-35
EGC-80				
★ 2042616 EAMM-A-L48-80P	2043427 EAMF-A-48A-80P	558002 EAMD-42-40-19-16X25	558012 EAMK-A-L48-48A	567489 EAHM-L2-M5-55
557982 EAMM-A-L48-70A	558025 EAMF-A-48A-70A	558001 EAMD-32-32-11-16X20	558012 EAMK-A-L48-48A	567486 EAHM-L2-M5-40
557984 EAMM-A-L48-100A	558020 EAMF-A-48A-100A	558002 EAMD-42-40-19-16X25	558012 EAMK-A-L48-48A	567489 EAHM-L2-M5-55
★ 560683 EAMM-A-L48-87A	560695 EAMF-A-48A-87A	558001 EAMD-32-32-11-16X20	558012 EAMK-A-L48-48A	567487 EAHM-L2-M5-45
EGC-120				
★ 557988 EAMM-A-L62-100A	558026 EAMF-A-62A-100A	558003 EAMD-56-46-19-23X27	558013 EAMK-A-L62-62A	567491 EAHM-L2-M6-65
557990 EAMM-A-L62-140A	558022 EAMF-A-62A-140A	558005 EAMD-56-46-24-23X27	558013 EAMK-A-L62-62A	567493 EAHM-L2-M6-70
EGC-185				
3657226 EAMM-A-L95-140A-G2	558023 EAMF-A-95A-140A	558008 EAMD-67-51-24-32X32-U	3712650 EAMK-A-L95-95A/B-G2	567497 EAHM-L2-M8-80
3659562 EAMM-A-L95-190A-G2	1378473 EAMF-A-95A-190A	1379269 EAMD-67-51-32-32X32-U	3712650 EAMK-A-L95-95A/B-G2	567497 EAHM-L2-M8-80

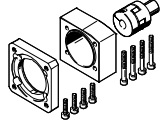
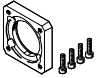
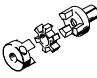
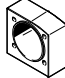

Festo core product range

- ★ Ready for dispatch from the Festo factory in 24 hours
- ☆ Ready for dispatch in 5 days maximum from stock

Toothed belt axes EGC-TB-KF, with recirculating ball bearing guide

FESTO

Accessories

Component parts of the axial kit – With gear unit				
Axial kit	Comprises:			
	Motor flange	Coupling	Coupling housing	Screw set
				
Part No. Type	Part No. Type	Part No. Type	Part No. Type	Part No. Type
EGC-50				
★ 557974 EAMM-A-L27-40G	558015 EAMF-A-L27-40G	557998 EAMD-19-15-10-8X10	–	–
EGC-70				
★ 557978 EAMM-A-L38-60G	558017 EAMF-A-38A-60G/H	558000 EAMD-25-22-11-10X12	558011 EAMK-A-L38-38A	567485 EAHM-L2-M5-35
1456610 EAMM-A-L38-60H	558017 EAMF-A-38A-60G/H	1453861 EAMD-28-22-14-10X12	558011 EAMK-A-L38-38A	567485 EAHM-L2-M5-35
EGC-80				
★ 557983 EAMM-A-L48-60G	558019 EAMF-A-48A-60G/H	558001 EAMD-32-32-11-16X20	558012 EAMK-A-L48-48A	567487 EAHM-L2-M5-45
1456611 EAMM-A-L48-60H	558019 EAMF-A-48A-60G/H	1377840 EAMD-32-32-14-16X20	558012 EAMK-A-L48-48A	567487 EAHM-L2-M5-45
EGC-120				
★ 557989 EAMM-A-L62-80G	558021 EAMF-A-62A-80G	558004 EAMD-56-46-20-23X27	558013 EAMK-A-L62-62A	567492 EAHM-L2-M6-65-L
EGC-185				
3660191 EAMM-A-L95-80G-G2	3305700 EAMF-A-95B-80G	3717812 EAMD-67-51-20-32X32-U	3712650 EAMK-A-L95-95A/B-G2	–
★ 3659941 EAMM-A-L95-120G-G2	3659724 EAMF-A-95A-120G-G2	558006 EAMD-67-51-25-32X32-U	3712650 EAMK-A-L95-95A/B-G2	567496 EAHM-L2-M8-70

Festo core product range

- ★ Ready for dispatch from the Festo factory in 24 hours
- ☆ Ready for dispatch in 5 days maximum from stock

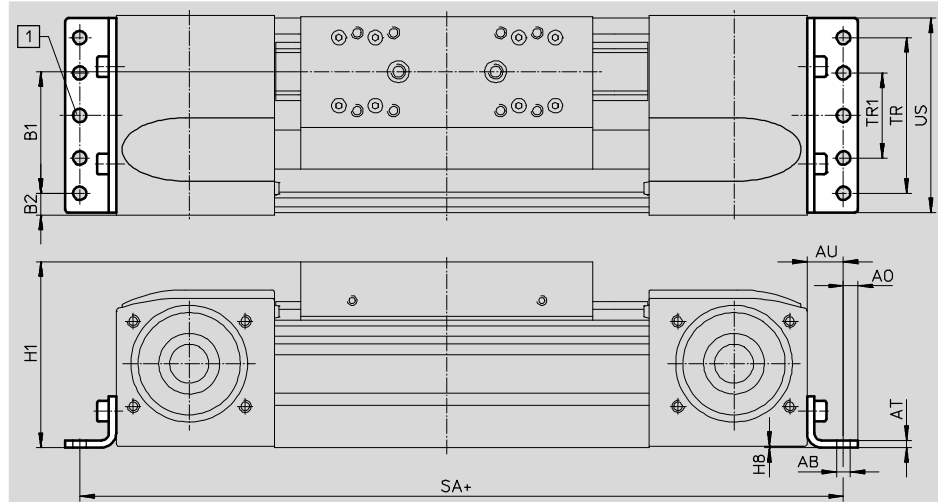
Toothed belt axes EGC-TB-KF, with recirculating ball bearing guide



Accessories

Foot mounting HPE
(order code F)

Materials:
Galvanised steel
RoHS-compliant



1 Hole in HPE-120
+ = plus stroke length + 2x stroke reserve

Dimensions and ordering data								
For size	AB ∅	A0	AT	AU	B1	B2	H1	H8
50	4.5	4.5	2	10.5	21.5	14	42.5	0.5
70	5.5	6	3	13	37	14.5	64	0.5
80	5.5	6	3	15	38	21	76.5	0.5
120	9	8	6	22	65	20	111.5	0.6
185	9	12	8	25	118	13	172.5	0.5

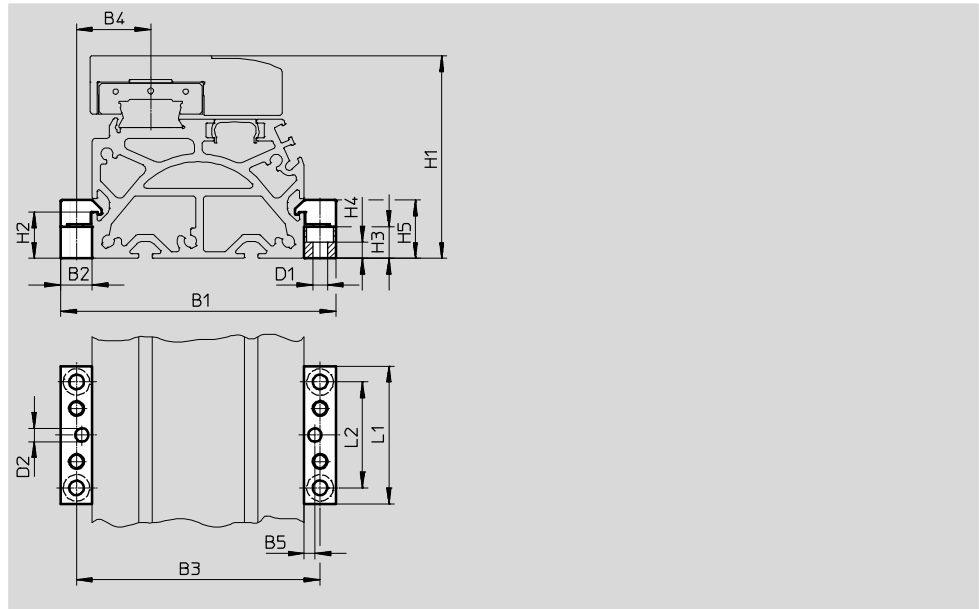
For size	SA		TR	TR1	US	Weight [g]	Part No.	Type
	EGC-...-GK	EGC-...-GV						
50	176	-	20	-	46	44	558320	HPE-50
70	272	372	40	-	67	115	558321	HPE-70
80	316	416	40	-	80	150	558322	HPE-80
120	490	590	80	-	116	578	558323	HPE-120
185	662	762	160	80	182	1438	558325	HPE-185

Toothed belt axes EGC-TB-KF, with recirculating ball bearing guide

Accessories

Profile mounting MUE
(order code M)

Materials:
Anodised aluminium
RoHS-compliant



Dimensions and ordering data									
For size	B1	B2	B3	B4	B5	D1 ∅	D2 ∅ H7	H1	H2
50	62	8	54	15.5	4	3.4	5	42.5	6
70	91	12	79	22.5	4	5.5	5	64	17.5
80	104	12	92	28	4	5.5	5	76.5	17.5
120	154	19	135	42.5	4	9	5	111.5	16
185	220	19	201	62.5	4	9	5	172.5	16

For size	H3	H4	H5	L1	L2	Weight [g]	Part No.	Type
50	5.5	2.3	11	40	20	20	★ 558042	MUE-50
70	12	6.2	22	52	40	80	★ 558043	MUE-70/80
80	12	6.2	22	52	40	80	★ 558043	MUE-70/80
120	14	5.5	29.5	90	40	290	★ 558044	MUE-120/185
185	14	5.5	29.5	90	40	290	★ 558044	MUE-120/185

Festo core product range

- ★ Ready for dispatch from the Festo factory in 24 hours
- ☆ Ready for dispatch in 5 days maximum from stock

Toothed belt axes EGC-TB-KF, with recirculating ball bearing guide

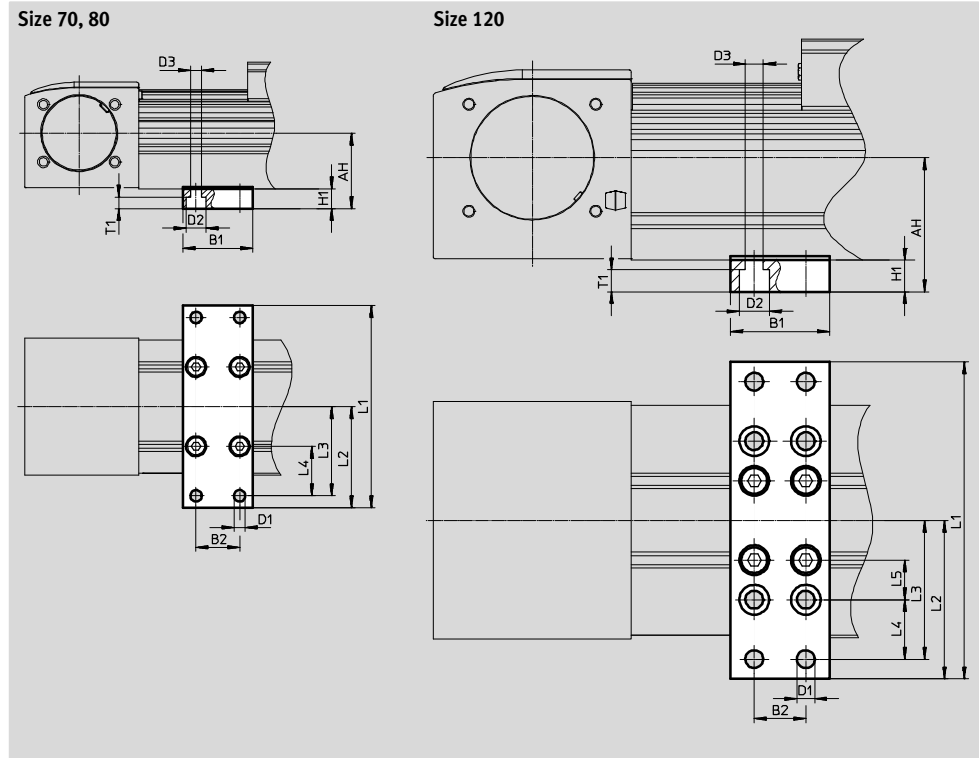
Accessories

Central support EAHF

Materials:

Anodised aluminium

RoHS-compliant



Dimensions and ordering data								
For size	AH	B1	B2	D1 Ø	D2 Ø	D3 Ø	H1	L1
70	38	35	22	5.8	10	5.8	10	102
80	44.5							112
120	67.6	50	26	9	15	9	16	160

For size	L2	L3	L4	L5	T1	Weight [g]	Part No.	Type
70	51	45	25	-	5.7	113	2349256	EAHF-L5-70-P
80	56	50	30			123	3535188	EAHF-L5-80-P
120	80	70	30	20	11	384	2410274	EAHF-L5-120-P

Toothed belt axes EGC-TB-KF, with recirculating ball bearing guide

Accessories

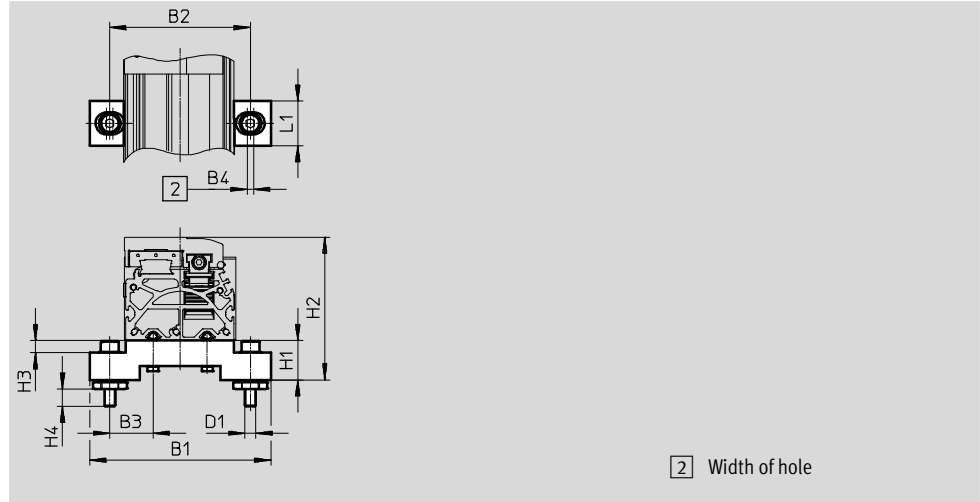
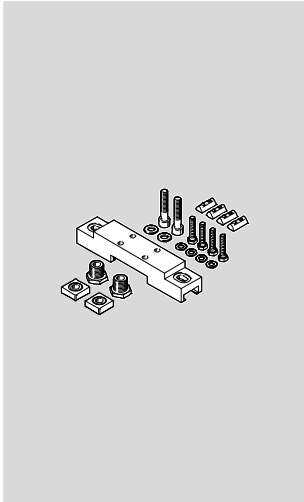
Adjusting kit EADC-E15

Materials:

EADC-E15-50/80/120: Wrought aluminium alloy

EADC-E15-185: Steel

RoHS-compliant



2 Width of hole

Dimensions and ordering data						
For size	B1	B2	B3	B4	D1	H1
50	84	62	21	5	M5	20
70	134	104	32	5	M8	29
80	134	104	32	5	M8	29
120	170	140	50	5	M8	29
185	236	209	64.5	5	M8	29

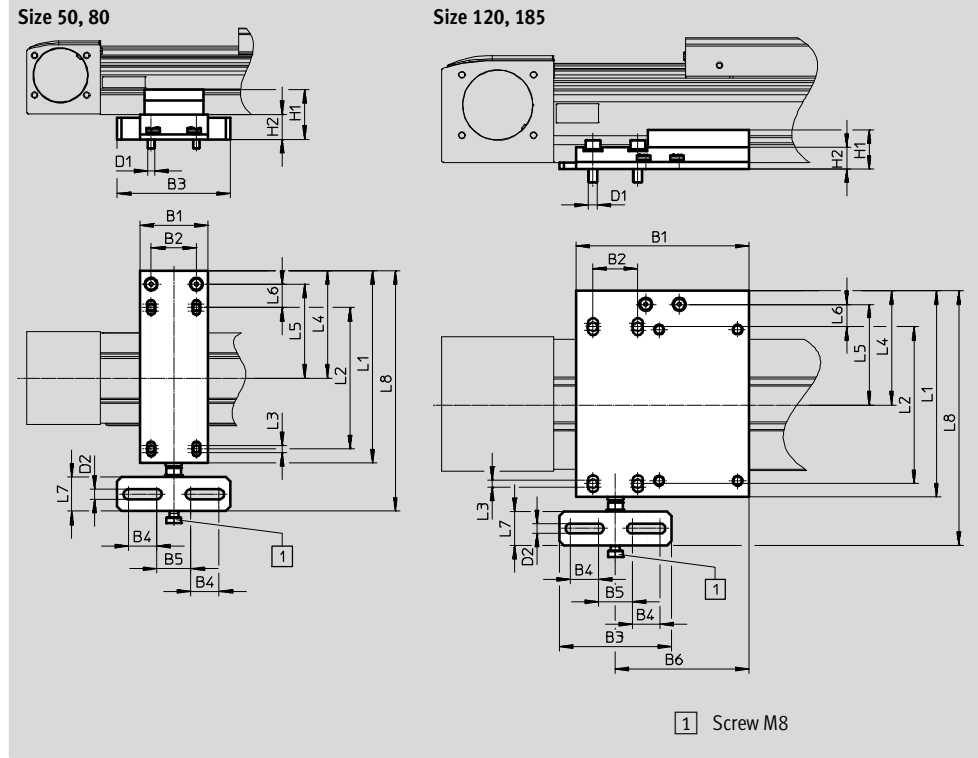
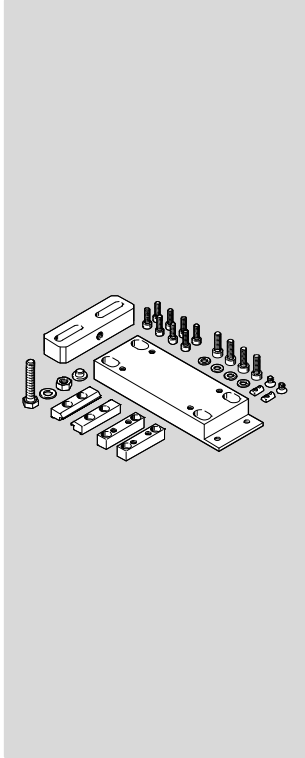
For size	H2	H3	H4	L1	Weight [g]	Part-No.	Type
50	62.5	5	9.6	25	126	8047565	EADC-E15-50-E7
70	93	9	12.6	33	386	8047566	EADC-E15-80-E7
80	105.5	9	12.6	33	386	8047566	EADC-E15-80-E7
120	140.5	9	12.6	33	388	8047567	EADC-E15-120-E7
185	201.5	9	12.6	33	569	8047568	EADC-E15-185-E7

Toothed belt axes EGC-TB-KF, with recirculating ball bearing guide

Accessories

Adjusting kit EADC-E16

Materials:
Wrought aluminium alloy
RoHS-compliant



Dimensions and ordering data												
For size	B1	B2	B3	B4	B5	B6	D1	D2	H1	H2	L1	L2
50	60	40	100	25	30	–	M4	9	25.1	19.6	130	80
80	60	40	100	25	30	–	M6	9	44	22	170	125
120	154	40	100	25	30	119	M8	9	35.1	19.6	184	140
185	150	40	100	25	30	119	M8	9	35.1	19.6	272	220

For size	L3	L4	L5	L6	L7	L8	Weight [g]	Part-No.	Type
50	6	78	66	26	30	173	498	8047576	EADC-E16-50-E7
80	6	95	83	20.5	30	212.5	828	8047577	EADC-E16-80-E7
120	6	101.7	89.7	20	30	227	1134	8047578	EADC-E16-120-E7
185	6	150	138	28	30	315	1457	8047579	EADC-E16-185-E7

Toothed belt axes EGC-TB-KF, with recirculating ball bearing guide

Accessories

Shock absorber retainer KYE

Emergency buffer NPE → page 58

Shock absorber YSRW → page 58
(order code A or C)

Materials:

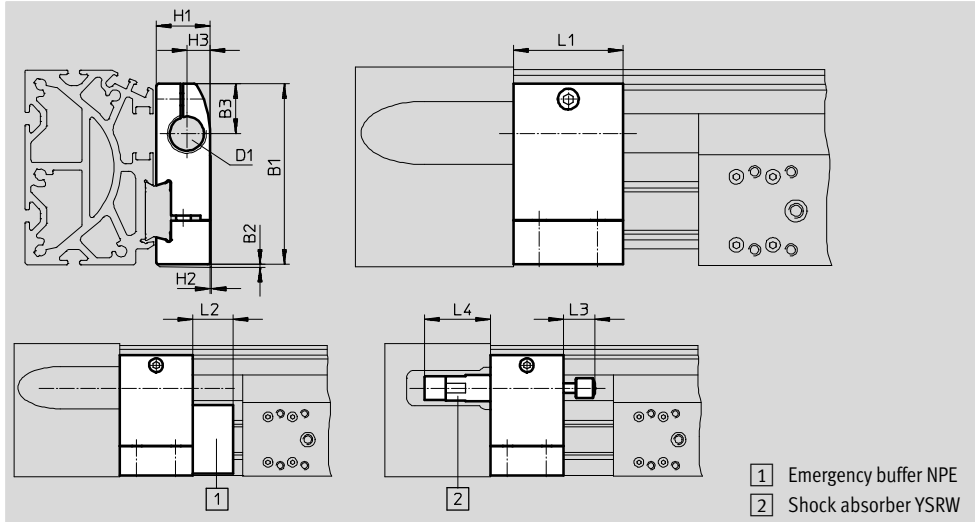
Anodised aluminium

RoHS-compliant

Cannot be used in combination with

the variants GP and GQ or GK-C and

GV-C and 1H...-PN, 2H-PN.



1 Emergency buffer NPE
2 Shock absorber YSRW

Dimensions and ordering data														
For size	B1	B2	B3	D1	H1	H2	H3	L1	L2	L3	L4 Min.	Weight [g]	Part No.	Type
50	38	1	13.5	M8x1	12	0.4	5	20	12	8	20	20	557583	KYE-50
70	57.5	1	16.5	M12x1	18.2	0.5	7.5	30	15	14	32	75	557584	KYE-70
80	74.2	1	20.5	M16x1	22	0.5	9.5	45	25	20	41	170	557585	KYE-80
120	108.5	1	26	M22x1.5	31	1	14	60	40	26	48.5	680	557586	KYE-120
185	168	1	37	M26x1.5	42	4	18	75	60	34	58.5	1075	557587	KYE-185

Switch lug SF-EGC-1

For sensing via proximity sensor

SIES-8M

(order code X or Z)

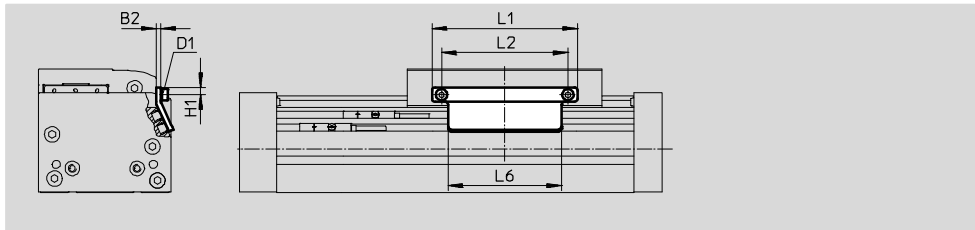
Materials:

Galvanised steel

RoHS-compliant

- With size 50, max. 3 proximity sensors can be supported when sensing both end positions. For

additional proximity sensors, a stroke reserve of 25 mm is required.



Dimensions and ordering data									
For size	B2	D1	H1	L1	L2	L6	Weight [g]	Part No.	Type
50	2	M3	3.5	45	22	45	20	★ 558046	SF-EGC-1-50
70	3	M4	4.65	70	56	50	50	★ 558047	SF-EGC-1-70
80	3	M4	4.65	90	78	70	63	★ 558048	SF-EGC-1-80
120	3	M5	8	170	140	170	147	★ 558049	SF-EGC-1-120
185	3	M5	10	230	200	230	246	★ 558051	SF-EGC-1-185

Festo core product range

- ★ Ready for dispatch from the Festo factory in 24 hours
- ★ Ready for dispatch in 5 days maximum from stock

Toothed belt axes EGC-TB-KF, with recirculating ball bearing guide

Accessories

Switch lug SF-EGC-2

For sensing via proximity sensor
SIEN-M8B (order code O, P, W or R) or
SIES-8M (order code X or Z)

Materials:

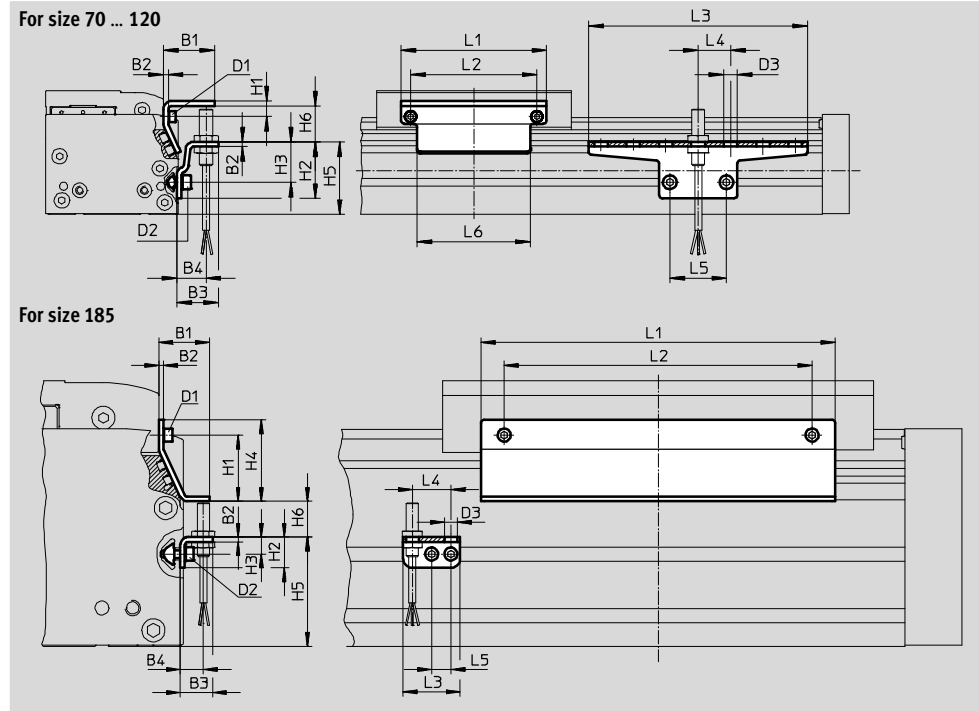
Galvanised steel
RoHS-compliant

Sensor bracket HWS-EGC

For proximity sensor SIEN-M8B
(order code O, P, W or R)

Materials:

Galvanised steel
RoHS-compliant



Dimensions and ordering data									
For size	B1	B2	B3	B4	D1	D2	D3	H1	H2
70	31.5	3	25.5	18	M4	M5	8.4	9.5	35
80	31.5	3	25.5	18	M4	M5	8.4	9.5	35
120	32	3	25.5	18	M5	M5	8.4	13.2	65
185	33	3	25.5	15	M5	M5	8.4	43	20

For size	H3	H4	H5	H6 Max.	L1	L2	L3	L4	L5	L6
70	25	-	45	13.5	70	56	135	20	35	50
80	25	-	45	23.5	90	78	135	20	35	70
120	55	-	75	24	170	140	215	20	35	170
185	11	53	71	25.5	230	200	37	25	12.5	230

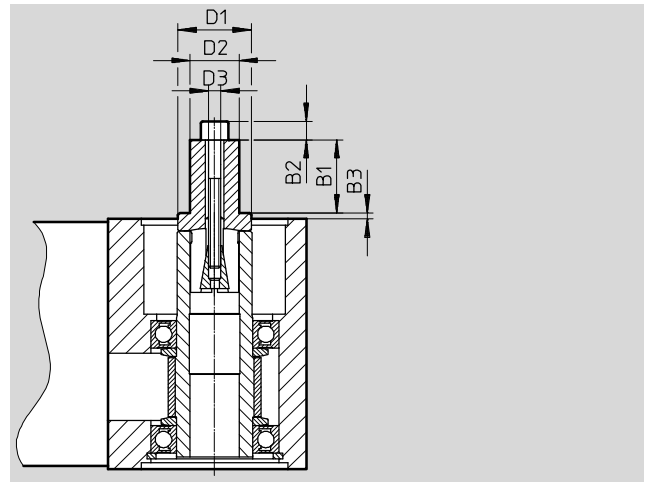
For size	Weight [g]	Part No.	Type
Switch lug			
70	100	558052	SF-EGC-2-70
80	130	558053	SF-EGC-2-80
120	277	558054	SF-EGC-2-120
185	390	558056	SF-EGC-2-185

For size	Weight [g]	Part No.	Type
Sensor bracket			
70	110	558057	HWS-EGC-M5
80	110	558057	HWS-EGC-M5
120	217	570365	HWS-EGC-M8-B
185	58	560517	HWS-EGC-M8:KURZ

Toothed belt axes EGC-TB-KF, with recirculating ball bearing guide

Accessories

Drive shaft EAMB
Alternative interface
(order code K)

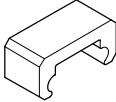
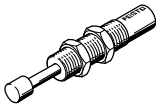



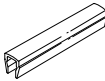
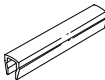
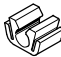


Dimensions and ordering data									
For size	B1	B2	B3	D1 Ø	D2 Ø	D3	Weight [g]	Part No.	Type
50	12	3	1.1	16	8	M4	20	558034	EAMB-16-7-8X15-8X10
70	12	4	1.85	18	8	M5	29	558035	EAMB-18-9-8X16-10X12
80	21	-	2	24	15	M6	70	558036	EAMB-24-6-15X21-16X20
120	26	-	2	34	25	M10	201	558037	EAMB-34-6-25X26-23X27
185	30	-	3	44	35	M10	463	558038	EAMB-44-7-35X30-32X32

Toothed belt axes EGC-TB-KF, with recirculating ball bearing guide

FESTO

Accessories

Ordering data						
	For size	Comment	Order code	Part No.	Type	PU ¹⁾
Emergency buffer NPE						
	50	For use in combination with shock absorber retainer KYE	A	564897	NPE-50	1
	70			562581	NPE-70	
	80			562582	NPE-80	
	120			562583	NPE-120	
	185			562584	NPE-185	
Shock absorber YSRW Technical data → Internet: ysrw						
	50	For use in combination with shock absorber retainer KYE	C	191192	YSRW-5-8	1
	70			191194	YSRW-8-14	
	80			191196	YSRW-12-20	
	120			191197	YSRW-16-26	
	185			191198	YSRW-20-34	
Slot nut NST						
	50	For mounting slot	Y	558045	NST-3-M3	1
		70, 80	For mounting slot	Y	150914	NST-5-M5
8047843					NST-5-M5-10	10
120, 185		For mounting slot	Y	8047878	NST-5-M5-50	50
	150915			NST-8-M6	1	
				8047868	NST-8-M6-10	10
				8047869	NST-8-M6-50	50
Centring pin/sleeve ZBS/ZBH						
	50, 70	For slide	-	150928	ZBS-5	10
	80, 120, 185			150927	ZBH-9	
Slot cover ABP						
	70, 80	For mounting slot	B	151681	ABP-5	2
	120, 185	Every 0.5 m		151682	ABP-8	
Slot cover ABP-S						
	50 ... 185	For sensor slot Every 0.5 m	S	563360	ABP-5-S1	2
Clip SMBK						
	50 ... 185	For sensor slot, for attaching the proximity sensor cables	CL	534254	SMBK-8	10

1) Packaging unit quantity

Toothed belt axes EGC-TB-KF, with recirculating ball bearing guide

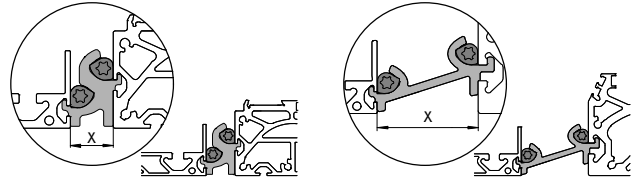
Accessories

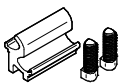
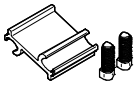
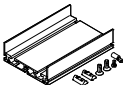
Mounting options between axis and support profile

Depending on the adapter kit, the spacing between the axis and the support profile is:
x = 20 mm or 50 mm

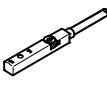
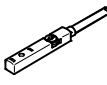
The support profile must be mounted using at least 2 adapter kits. For longer strokes, an adapter kit must be used every 500 mm.

Example:



Ordering data					
	For size	Comment	Part No.	Type	PU ¹⁾
Adapter kit DHAM					
	70, 80	<ul style="list-style-type: none"> For mounting the support profile on the axis Spacing between axis and profile is 20 mm 	562241	DHAM-ME-N1-CL	1
	120, 185		562242	DHAM-ME-N2-CL	
	70, 80	<ul style="list-style-type: none"> For mounting the support profile on the axis Spacing between axis and profile is 50 mm 	574560	DHAM-ME-N1-50-CL	
	120, 185		574561	DHAM-ME-N2-50-CL	
Support profile HMIA					
	70 ... 185	<ul style="list-style-type: none"> For guiding an energy chain 	539379	HMIA-E07-	1





1) Packaging unit quantity



Ordering data – Proximity sensors for T-slot, inductive							Technical data → Internet: sies	
	Type of mounting	Electrical connection	Switching output	Cable length [m]	Order code	Part No.	Type	
N/O contact								
	Insertable in the slot from above, flush with the cylinder profile	Cable, 3-wire	PNP	7.5	X	551386	SIES-8M-PS-24V-K-7,5-OE	
		Plug connector M8x1, 3-pin		0.3	-	551387	SIES-8M-PS-24V-K-0,3-M8D	
		Cable, 3-wire	NPN	7.5	-	551396	SIES-8M-NS-24V-K-7,5-OE	
		Plug connector M8x1, 3-pin		0.3	-	551397	SIES-8M-NS-24V-K-0,3-M8D	
N/C contact								
	Insertable in the slot from above, flush with the cylinder profile	Cable, 3-wire	PNP	7.5	Z	551391	SIES-8M-PO-24V-K-7,5-OE	
		Plug connector M8x1, 3-pin		0.3	-	551392	SIES-8M-PO-24V-K-0,3-M8D	
		Cable, 3-wire	NPN	7.5	-	551401	SIES-8M-NO-24V-K-7,5-OE	
		Plug connector M8x1, 3-pin		0.3	-	551402	SIES-8M-NO-24V-K-0,3-M8D	

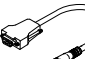
Toothed belt axes EGC-TB-KF, with recirculating ball bearing guide

FESTO

Accessories

Ordering data – Proximity sensor M8 (round design), inductive						Technical data → Internet: sien	
	Electrical connection	LED	Switching output	Cable length [m]	Order code	Part No.	Type
N/O contact							
	Cable, 3-wire	■	PNP	2.5	0	★ 150386	SIEN-M8B-PS-K-L
			NPN	2.5	–	★ 150384	SIEN-M8B-NS-K-L
	Plug connector M8x1, 3-pin	■	PNP	–	W	★ 150387	SIEN-M8B-PS-S-L
			NPN	–	–	★ 150385	SIEN-M8B-NS-S-L
N/C contact							
	Cable, 3-wire	■	PNP	2.5	P	150390	SIEN-M8B-PO-K-L
			NPN	2.5	–	150388	SIEN-M8B-NO-K-L
	Plug connector M8x1, 3-pin	■	PNP	–	R	150391	SIEN-M8B-PO-S-L
			NPN	–	–	150389	SIEN-M8B-NO-S-L

Ordering data – Connecting cables				Technical data → Internet: nebu	
	Electrical connection, left	Electrical connection, right	Cable length [m]	Part No.	Type
	Straight socket, M8x1, 3-pin	Cable, open end, 3-wire	2.5	159420	SIM-M8-3GD-2,5-PU
			2.5	★ 541333	NEBU-M8G3-K-2.5-LE3
			5	★ 541334	NEBU-M8G3-K-5-LE3
	Angled socket, M8x1, 3-pin	Cable, open end, 3-wire	2.5	★ 541338	NEBU-M8W3-K-2.5-LE3
			5	★ 541341	NEBU-M8W3-K-5-LE3

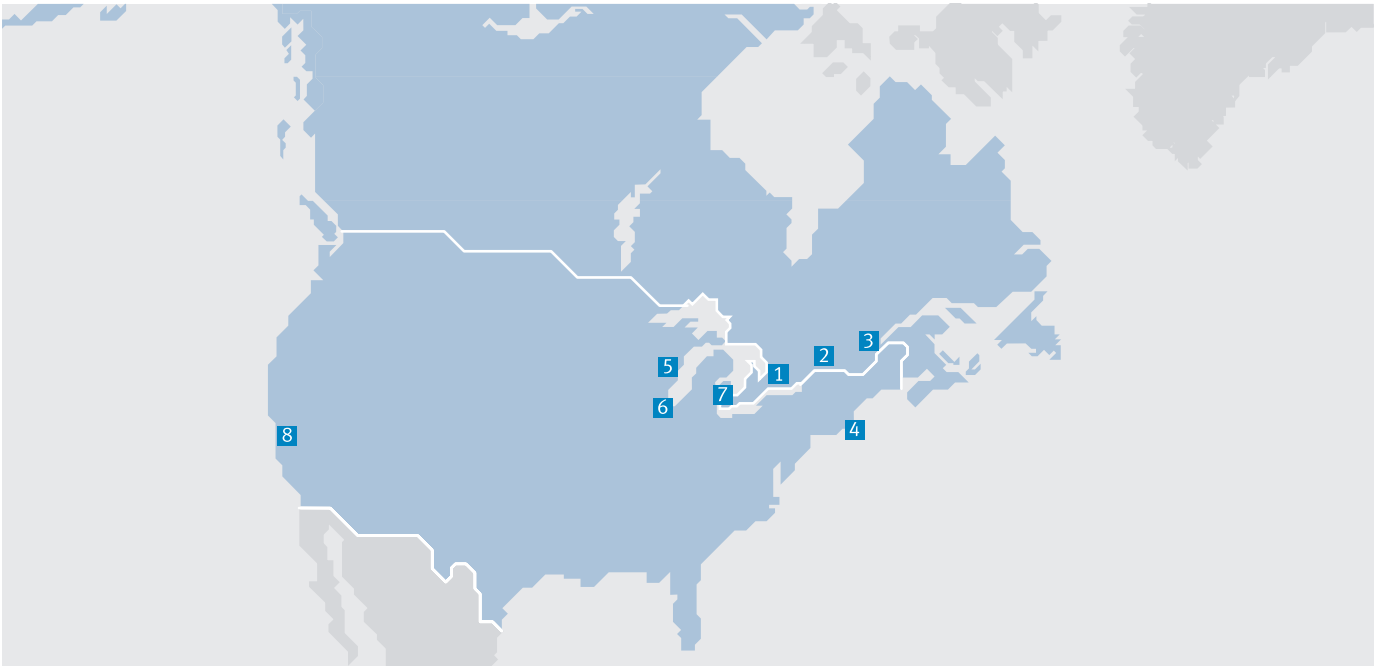
Ordering data – Encoder cables for displacement encoder EGC-...-M1/-M2				Technical data → Internet: nebm	
	Electrical connection, left	Electrical connection, right	Cable length [m]	Part No.	Type
	Displacement encoder EGC-...-M1/-M2	Motor controller CMMP-AS-...	5	1599105	NEBM-M12G8-E-5-S1G9-V3
			10	1599106	NEBM-M12G8-E-10-S1G9-V3
			15	1599107	NEBM-M12G8-E-15-S1G9-V3
			χ ¹⁾	1599108	NEBM-M12G8-E-...-S1G9-V3

1) Max. cable length 25 m.

Festo core product range

- ★ Ready for dispatch from the Festo factory in 24 hours
- ☆ Ready for dispatch in 5 days maximum from stock

Festo North America



**1 Festo Canada
Headquarters
Festo Inc.**
5300 Explorer Drive
Mississauga, ON
L4W 5G4

2 Montréal
5600, Trans-Canada
Pointe-Claire, QC
H9R 1B6

3 Québec City
2930, rue Watt#117
Québec, QC
G1X 4G3



**4 Festo United States
Headquarters
Festo Corporation**
395 Moreland Road
Hauppauge, NY
11788

5 Appleton
North 922 Tower View Drive, Suite N
Greenville, WI
54942

7 Detroit
1441 West Long Lake Road
Troy, MI
48098

6 Chicago
85 W Algonquin - Suite 340
Arlington Heights, IL
60005

8 Silicon Valley
4935 Southfront Road, Suite F
Livermore, CA
94550

Festo Regional Contact Center

Canadian Customers

Commercial Support:
Tel: 1 877 GO FESTO (1 877 463 3786)
Fax: 1 877 FX FESTO (1 877 393 3786)
Email: festo.canada@ca.festo.com

Technical Support:
Tel: 1 866 GO FESTO (1 866 463 3786)
Fax: 1 877 FX FESTO (1 877 393 3786)
Email: technical.support@ca.festo.com

USA Customers

Commercial Support:
Tel: 1 800 99 FESTO (1 800 993 3786)
Fax: 1 800 96 FESTO (1 800 963 3786)
Email: customer.service@us.festo.com

Technical Support:
Tel: 1 866 GO FESTO (1 866 463 3786)
Fax: 1 800 96 FESTO (1 800 963 3786)
Email: product.support@us.festo.com

Subject to change

Internet: www.festo.com/us