

## Rotary drives ERMO, electric

**FESTO**



Festo core product range  
Covers 80% of your automation tasks

Worldwide:

Always in stock

Superb:

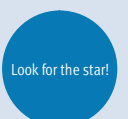
Festo quality at an attractive price

Easy:

Reduces procurement and storing complexity

★ Ready for dispatch from the Festo factory in 24 hours  
Held in stock in 13 service centres worldwide  
More than 2200 products

★ Ready for dispatch in 5 days maximum from stock  
Assembled for you in 4 service centres worldwide  
Up to  $6 \times 10^{12}$  variants per product series



# Rotary drives ERMO, electric

Key features

## At a glance

### General

- Electric rotary drive with stepper motor and integrated gear unit
- ServoLite – closed-loop operation with encoder
- Heavy-duty bearing for high forces and torques
- Backlash-free prestressed rotating plate with very good axial eccentricity and concentricity properties
- Optional holding brake
- Optionally with pneumatic or electric energy throughfeed
- Quick and accurate installation

### Range of applications

- Rotating and positioning parts
- Simple rotary indexing table applications
- As a rotary axis in multi-axis applications

## Optimised Motion Series (OMS) – Package solution with motor and motor controller

A package that makes positioning easier than ever before.

The Optimised Motion Series is as easy to handle as a pneumatic cylinder, but with the functionality of an electric drive.



### Easy selection

- Easy sizing and selection using cycle time charts
- No specialist knowledge of electric drive technology required

### Ordering and logistics

- All the necessary individual components under a single part number
- Motors mounted on rotary drive

### Quick to configure

- Parameterisation and commissioning via web server/browser
- Parameterise up to 7 freely definable positions directly on the PC



## For simple positioning tasks

Rotary drive ERMO

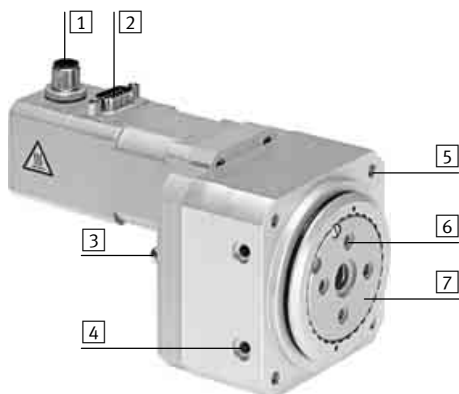


Motor controller CMMO

→ Internet: [cmmo](http://cmmo)



## The technology in detail



- 1 Encoder connection
- 2 Motor connection
- 3 Proximity sensor for homing or position sensing
- 4 Thread/centring holes for mounting
- 5 Thread for mounting
- 6 Thread/centring holes for attachments
- 7 Rotating plate

# Rotary drives ERMO, electric

Key features

## The technology in detail

Energy throughfeed

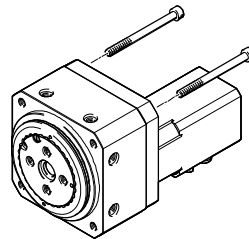
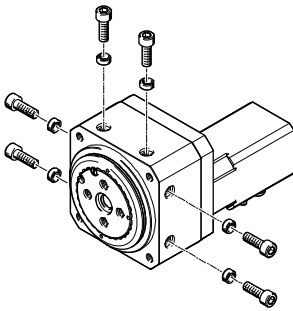


- Electrical signals or compressed air can be transferred through the hollow shaft using the energy throughfeed. This enables fast and easy supply of the parts connected to the rotating plate even with infinitely rotating applications.
- Also suitable for IO-Link signal data transfer.
- The energy throughfeed cannot be used in combination with the stop kit EADP-ES-R3.

## Mounting options

At the side

From the front/rear

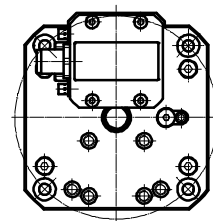
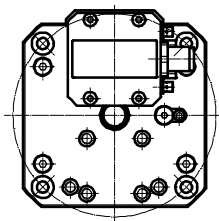
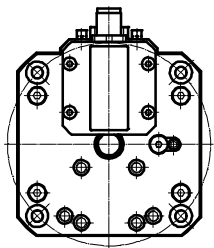


## Motor attachment variants

Top (standard)

Left (feature L)

Right (feature R)



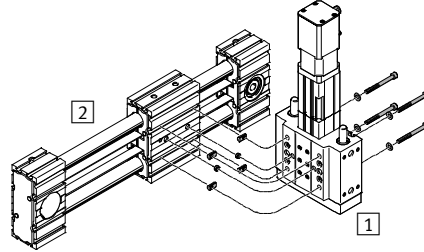
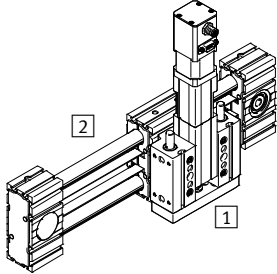
# Rotary drives ERMO, electric

Key features



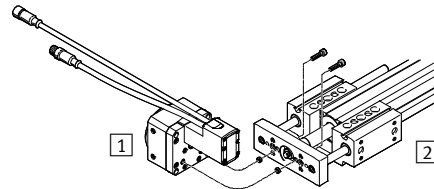
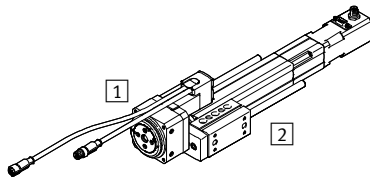
## Possible combinations within the Optimised Motion Series (OMS)

Electric cylinder EPCO on toothed belt axis ELGR



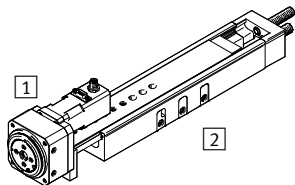
Size		Accessories			
1	2	Slot nut	Centring sleeve	Screw	Washer
16	35	NST-3-M3 (x4)	ZBH-7 (x2)	M3x10 (x4)	–
25	45	NST-5-M5 (x4)	ZBH-7 (x2)	M5x50 (x4)	DIN125-A5.3 (x4)
40	55	NST-5-M5 (x4)	ZBH-7 (x2)	M5x65 (x4)	DIN125-A5.3 (x4)

## Rotary drive ERMO on electric cylinder EPCO

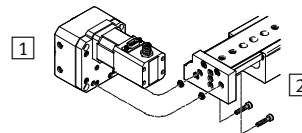


Size		Accessories	
1	2	Centring sleeve	Screw
12	16	ZBH-7 (x2)	M4x16 (x2)
16	25	ZBH-7 (x2)	M5x18 (x2)
25	40	ZBH-7 (x2)	M5x20 (x2)

## Rotary drive ERMO on mini slide DGSL

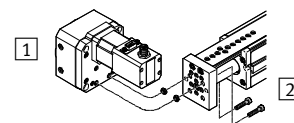
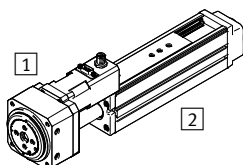


The proximity sensor SIEN cannot be used as a reference switch on the ERMO when ERMO-12 is combined with DGSL-12.



Size		Accessories	
1	2	Centring sleeve	Screw
12	12	ZBH-7 (x2)	M4x18 (x2)
25	20	ZBH-9-7 (x2)	M5x22 (x2)
25	25	ZBH-9-7 (x2)	M5x22 (x2)

## Rotary drive ERMO on mini slide EGSL



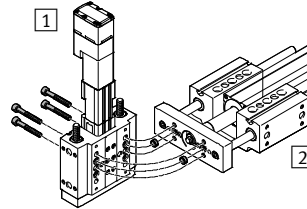
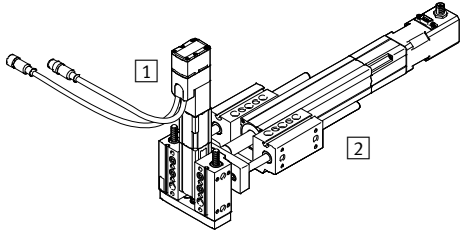
Size		Accessories	
1	2	Centring sleeve	Screw
12	35	ZBH-7 (x2)	M4x12 (x2)
16	45	ZBH-7 (x2)	M5x12 (x2)
25	55	ZBH-7 (x2)	M5x14 (x2)
32	55	ZBH-7 (x2)	M5x14 (x2)

# Rotary drives ERMO, electric

Key features

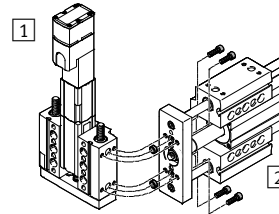
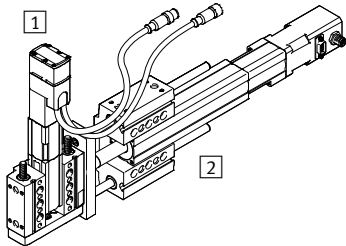
## Possible combinations within the Optimised Motion Series (OMS)

Electric cylinder EPCO on electric cylinder EPCO, horizontal



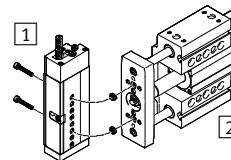
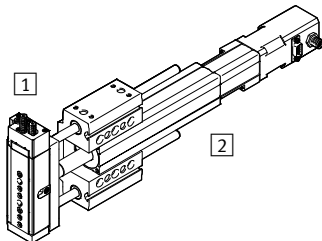
Size		Accessories	
1 EPCO	2 EPCO	Centring sleeve	Screw
16	25	ZBH-9 (x2)	M6x40 (x4)
25	40	ZBH-9 (x2)	M6x55 (x4)

Electric cylinder EPCO on electric cylinder EPCO, vertical



Size		Accessories	
1 EPCO	2 EPCO	Centring sleeve	Screw
16	25	ZBH-9 (x2)	M5x18 (x4)
25	40	ZBH-9 (x2)	M5x22 (x4)

Mini slide DGSL on electric cylinder EPCO

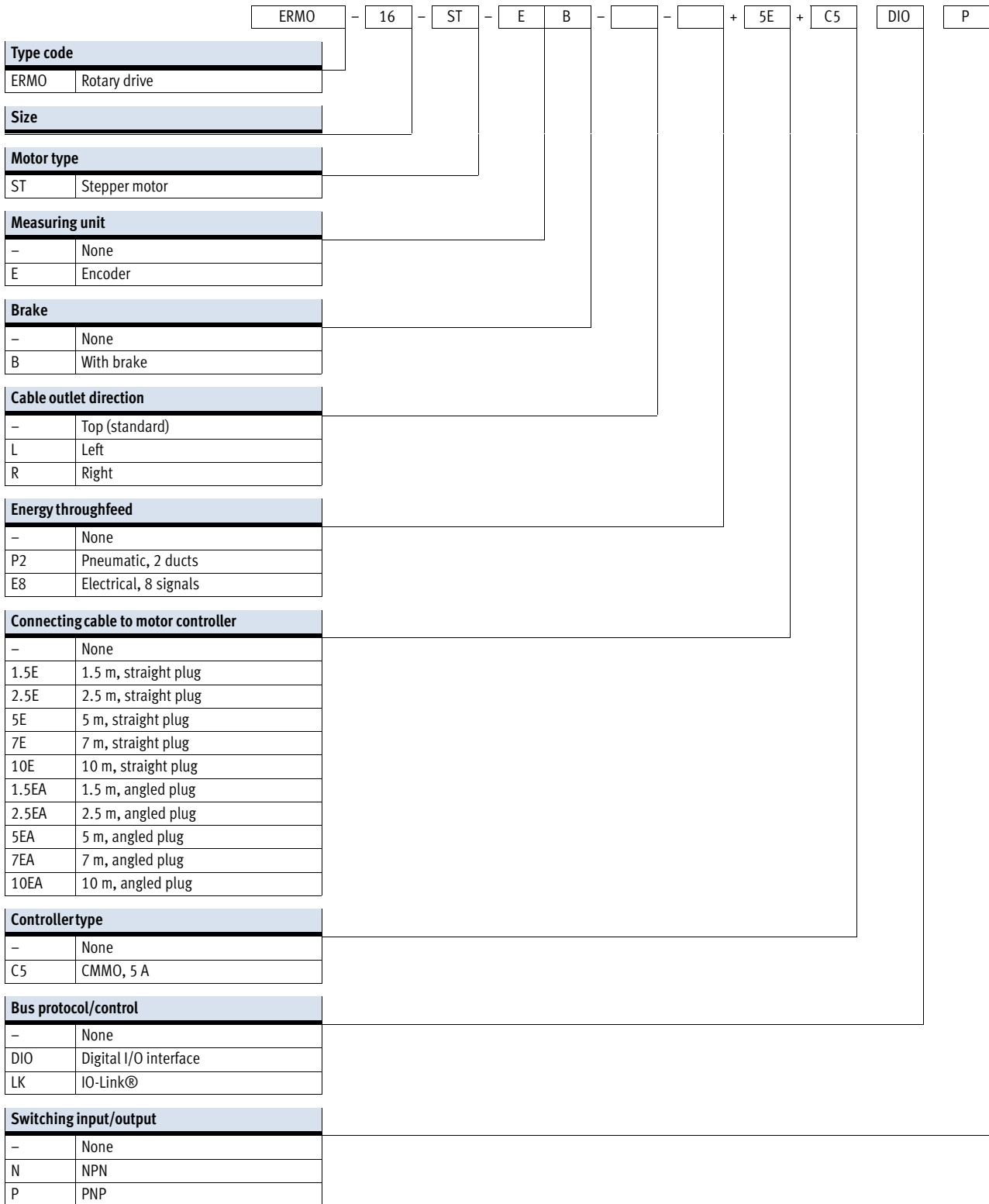


Size		Accessories	
1 DGSL	2 EPCO	Centring sleeve	Screw
8 (40mm) <sup>1)</sup>	16	ZBV-9-7 (x2)	M4x16 (x2)
10 (30mm) <sup>1)</sup>	25	ZBV-9-7 (x2)	M4x20 (x2)
12 (40mm) <sup>1)</sup>	40	ZBV-9-7 (x2)	M5x20 (x2)

1) Minimum stroke

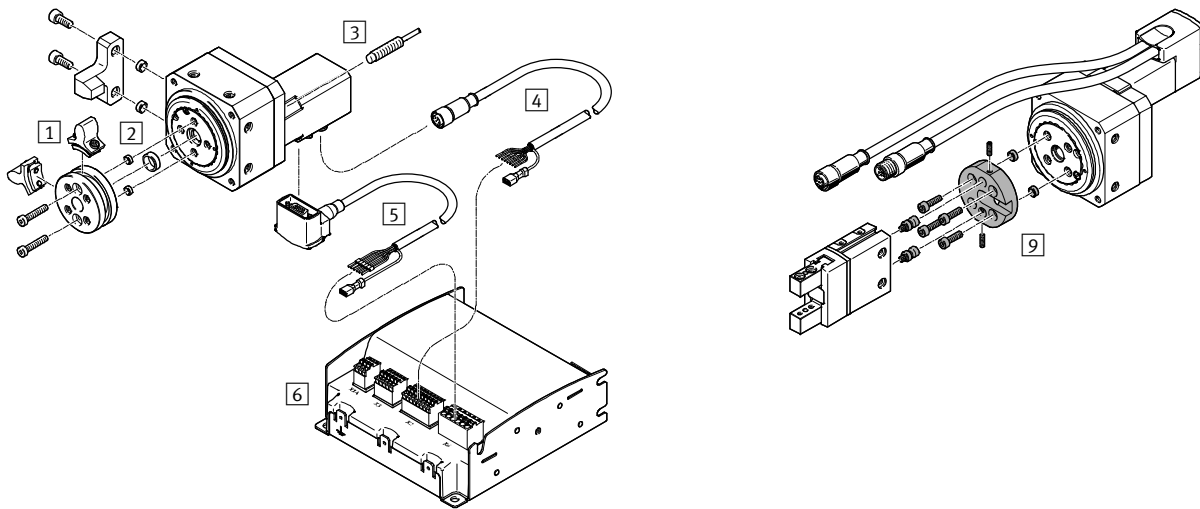
# Rotary drives ERMO, electric

Type codes

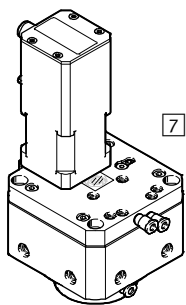


# Rotary drives ERMO, electric

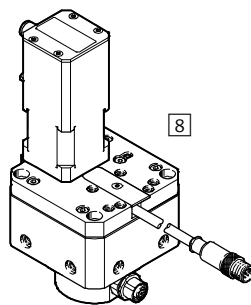
Peripherals overview



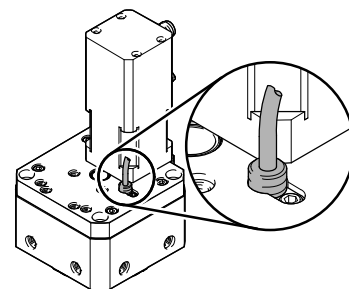
Pneumatic energy throughfeed



Electrical energy throughfeed



Proximity sensor SIEN



Accessories		
Type/order code	Description	→ Page/Internet
1 Stop kit EADP-ES-R3	<ul style="list-style-type: none"> <li>For homing to the end position</li> <li>As end stop for rotary drives with no brake</li> <li>For safety functions</li> </ul>	20
2 Centring sleeve ZBH	<ul style="list-style-type: none"> <li>For centring attachments</li> <li>For centring the rotary drive</li> </ul>	21
3 Proximity sensor SIEN	For homing or position sensing	21
4 Encoder cable NEBM	For connecting the encoder and controller	LEERER MERKER
5 Motor cable NEBM	For connecting the motor and controller	LEERER MERKER
6 Motor controller CMMO	For positioning the rotary drive	22
7 Energy throughfeed Pneumatic	<ul style="list-style-type: none"> <li>For fast and easy pneumatic supply of parts mounted on the rotating plate, infinitely rotating</li> <li>Cannot be used in combination with the stop kit EADP-ES-R3</li> </ul>	LEERER MERKER
8 Energy throughfeed Electrical	<ul style="list-style-type: none"> <li>For fast and easy electrical supply of parts mounted on the rotating plate, infinitely rotating</li> <li>Cannot be used in combination with the stop kit EADP-ES-R3</li> </ul>	LEERER MERKER
9 Adapter kit DHAA	For drive/gripper connections	adapter kit

# Rotary drives ERMO, electric

Technical data

FESTO

Size

12, 16, 25, 32



General technical data					
Size		12	16	25	32
Design		Electromechanical rotary drive with integrated gear unit			
Rotation angle		Infinite			
Repetition accuracy <sup>1)</sup>	[°]	±0.05	±0.05	±0.05	±0.1
Torsional backlash <sup>1)</sup>	[°]	0.2			
Positioning time		→ Page 10			
Gear ratio		9:1		7:1	
Type of mounting		Via female thread			
Mounting position		Any			
Product weight					
Without brake	[g]	475	900	1350	2200
With brake	[g]	–	960	1500	2380

1) Without payload in new condition

Mechanical data					
Size		12	16	25	32
Nominal torque <sup>1)</sup>	[Nm]	0.15	0.8	2.5	5
Holding torque	[Nm]	0.33	0.81	4	7
Nominal rotary speed	[rpm]	100	100	66	50
Max. speed	[rpm]	200	200	150	100
Permissible mass moment of inertia	[kgm <sup>2</sup> x10 <sup>-4</sup> ]	3	13	65	164
Mass moment of inertia J <sub>o</sub>	[kgm <sup>2</sup> x10 <sup>-4</sup> ]	0.0079	0.0383	0.114	0.390
Max. impact energy	[Jx10 <sup>-4</sup> ]	0.2	0.7	1.6	2.9

1) Theoretical torque at nominal rotary speed → page 10



# Rotary drives ERMO, electric

Technical data

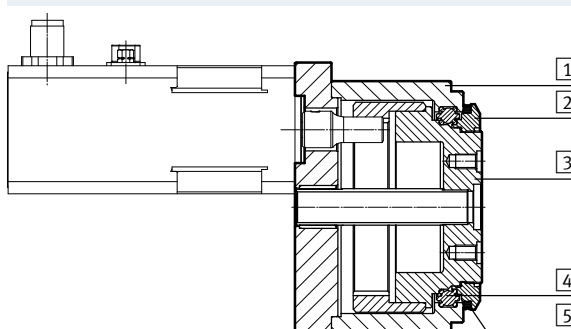
Electrical data					
Size		12	16	25	32
Motor					
Nominal operating voltage	[V DC]	24			
Nominal current	[A]	0.8	1.4	3	4.2
Step angle with full step	[°]	1.8 ±5%			
Duty cycle	[%]	100			
Brake					
Nominal voltage	[V DC]	–	24		
Nominal power	[W]	–	8		
Holding torque	[Nm]	–	1	2.5	2.5
Mass moment of inertia	[kgm <sup>2</sup> x10 <sup>-4</sup> ]	–	0.69	1.3	1.3
Encoder					
Rotor position encoder		Incremental			
Rotor position sensor measuring principle		Optical			
Pulses/rotation	[1/rev]	500			
Interface		RS422, TTL, AB channel + zero index			
Operating voltage	[V DC]	5			
Insulation class		B (130 °C)			

Operating and environmental conditions		
Ambient temperature	[°C]	0 ... +50
Storage temperature	[°C]	–20 ... +60
Degree of protection		IP40
Relative humidity	[%]	0 ... 85 (non-condensing)
Corrosion resistance class CRC <sup>1)</sup>		1
CE marking (see declaration of conformity)		To EU EMC Directive <sup>2)</sup>
Certification		RCM compliance mark

- 1) Corrosion resistance class CRC 1 to Festo standard FN 940070  
Low corrosion stress. For dry indoor applications or transport and storage protection. Also applies to parts behind covers, in the non-visible interior area, and parts which are covered in the application (e.g. drive trunnions).
- 2) For information about the applicability of the component see the manufacturer's EC declaration of conformity at: [www.festo.com/sp](http://www.festo.com/sp) → User documentation.  
If the component is subject to restrictions on usage in residential, office or commercial environments or small businesses, further measures to reduce the emitted interference may be necessary.

## Materials

Sectional view

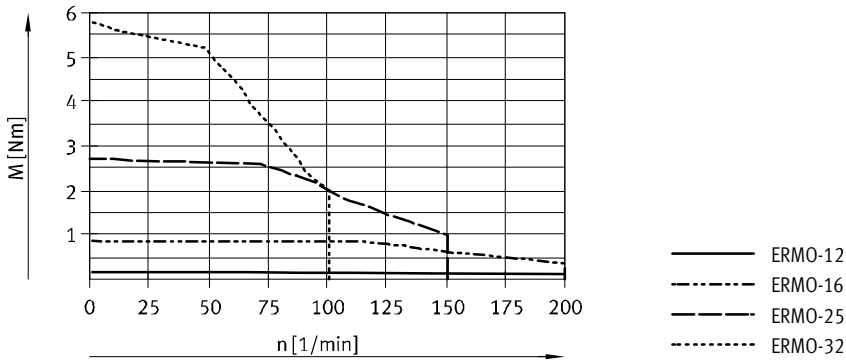


Rotary drive	
1	Housing Anodised wrought aluminium alloy
2	Clamping ring Anodised wrought aluminium alloy
3	Rotating plate Anodised wrought aluminium alloy
4	Ball bearing Rolled steel
5	Sealing ring NBR
Note on materials	
RoHS-compliant	
Contains paint-wetting impairment substances	

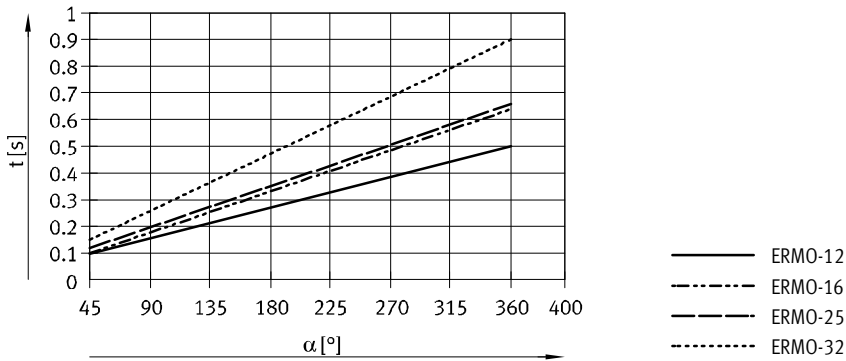
# Rotary drives ERMO, electric

Technical data

## Torque M as a function of speed n



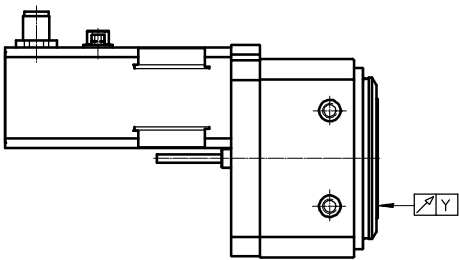
## Positioning time t as a function of angle of rotation α



## Axial eccentricity and concentricity

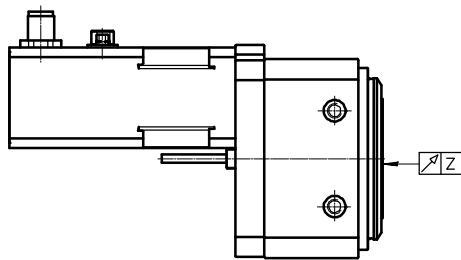
### Axial eccentricity

Measured on the surface of the rotating plate at the plate edge, in new condition.



### Concentricity

Measured at the centring hole of the rotating plate, in new condition.



Size		12	16	25	32
Axial eccentricity Y	[mm]	<0.02	<0.02	<0.02	<0.04
Concentricity Z	[mm]	<0.02	<0.02	<0.02	<0.04

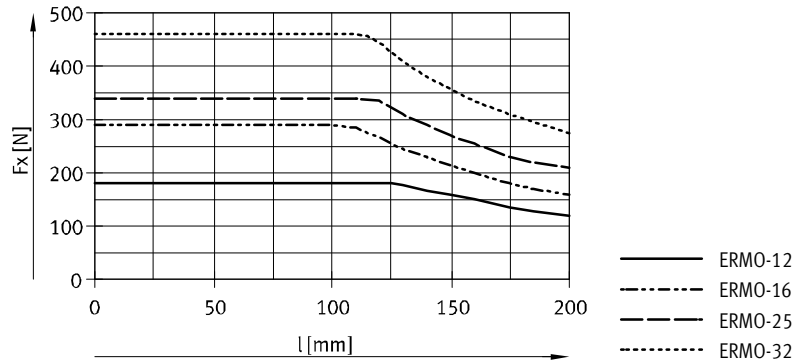
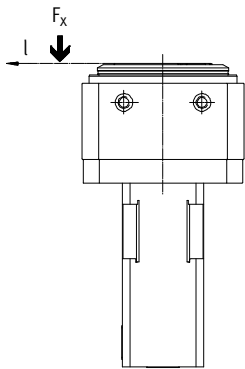
# Rotary drives ERMO, electric

Technical data

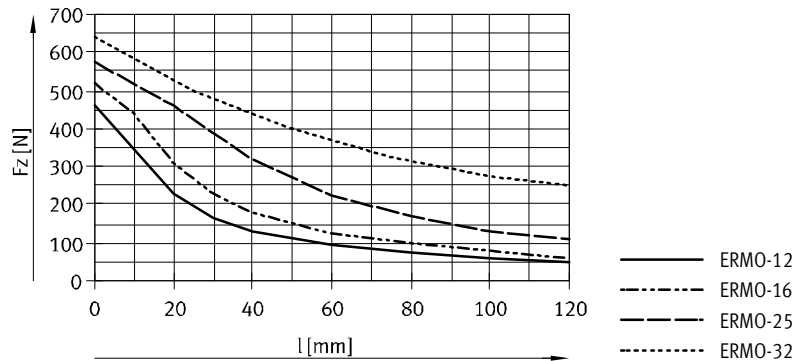
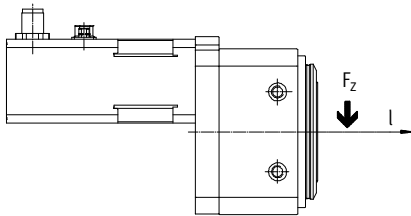


Max. permissible axial and radial force $F_x/F_z$					
Size		12	16	25	32
Static					
Axial force $F_x$	[N]	500	600	700	800
Radial force $F_z$	[N]	500	750	1200	2000
Dynamic					
Axial force $F_x$	[N]	180	290	350	450
Radial force $F_z$	[N]	200	300	450	550

Max. dynamic axial force  $F_x$  as a function of lever arm  $l$



Max. dynamic radial force  $F_z$  as a function of lever arm  $l$



## Pin allocation

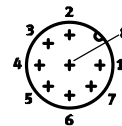
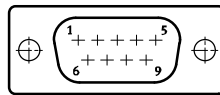
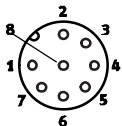
Motor

ERMO-12/-16

ERMO-25/-32

Encoder

ERMO-12/-16/-25/-32



PIN	Function
1	String A
2	String A/
3	String B
4	String B/
5	n.c.
6	n.c.
7	Brake +24 V DC <sup>1)</sup>
8	Brake GND <sup>1)</sup>
-	-

PIN	Function
1	String A
2	String A/
3	String B
4	String B/
5	n.c.
6	n.c.
7	Brake +24 V DC <sup>1)</sup>
8	Brake GND <sup>1)</sup>
9	n.c.

PIN	Function
1	Signal trace A
2	Signal trace A/
3	Signal trace B
4	Signal trace B/
5	GND encoder
6	Signal trace N
7	Signal trace N/
8	VCC auxiliary supply +5 V
GND	Shield on plug housing

1) Only on motors with brake.

# Rotary drives ERMO, electric

Technical data



## Energy throughfeed

ERMO-...-P2

ERMO-...-E8

The energy throughfeed cannot be used in combination with the stop kit EADP-ES-R3.



### Function

Electrical signals or compressed air can be transferred through the hollow shaft using the energy throughfeed.

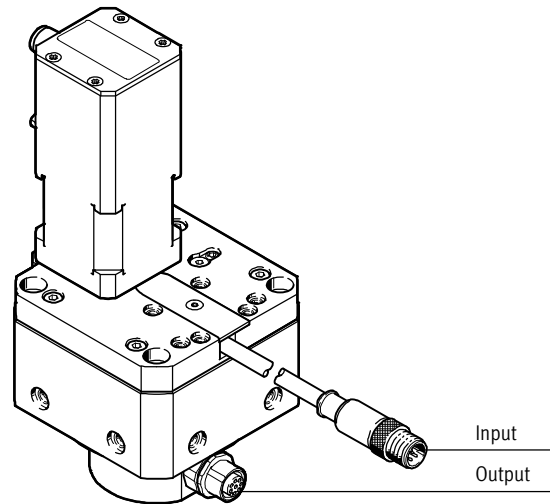
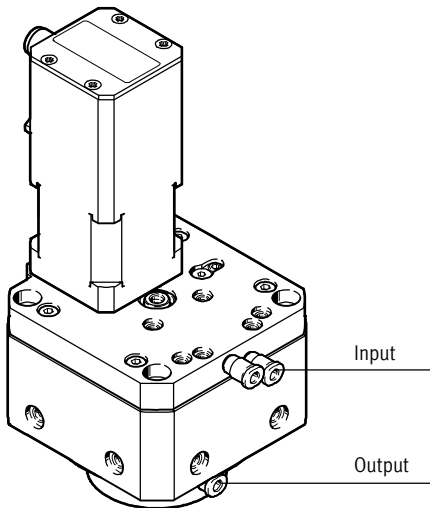
### Benefits

- Fast and easy supply of the parts connected to the rotating plate
- Tubing and electrical cables are not damaged by the rotation
- Two variants available:
  - Pneumatic
  - Electrical

### Variants

Pneumatic: ERMO-...-P2

Electrical: ERMO-...-E8



-  - Note

Connecting cable for connection to the output → LEERER MERKER

# Rotary drives ERMO, electric

Technical data

## Pin allocation – Energy throughfeed, electrical

Input M12 plug	Output M12 socket

Technical data		
Variant	Pneumatic	Electrical
Order code	P2	E8
Pneumatic		
Number of pneumatic ducts	2	–
Tubing Ø	4	–
Max. operating pressure [bar]	8	–
Connection	M5	–
Flow rate per duct [l/min]	86	–
Electrical		
Number of signal lines	–	8
Rated voltage [V DC]	–	30
Max. current <sup>1)</sup> [A]	–	1.5
Cable cross section [mm <sup>2</sup> ]	–	0.1
Connection	–	M12

# Rotary drives ERMO, electric

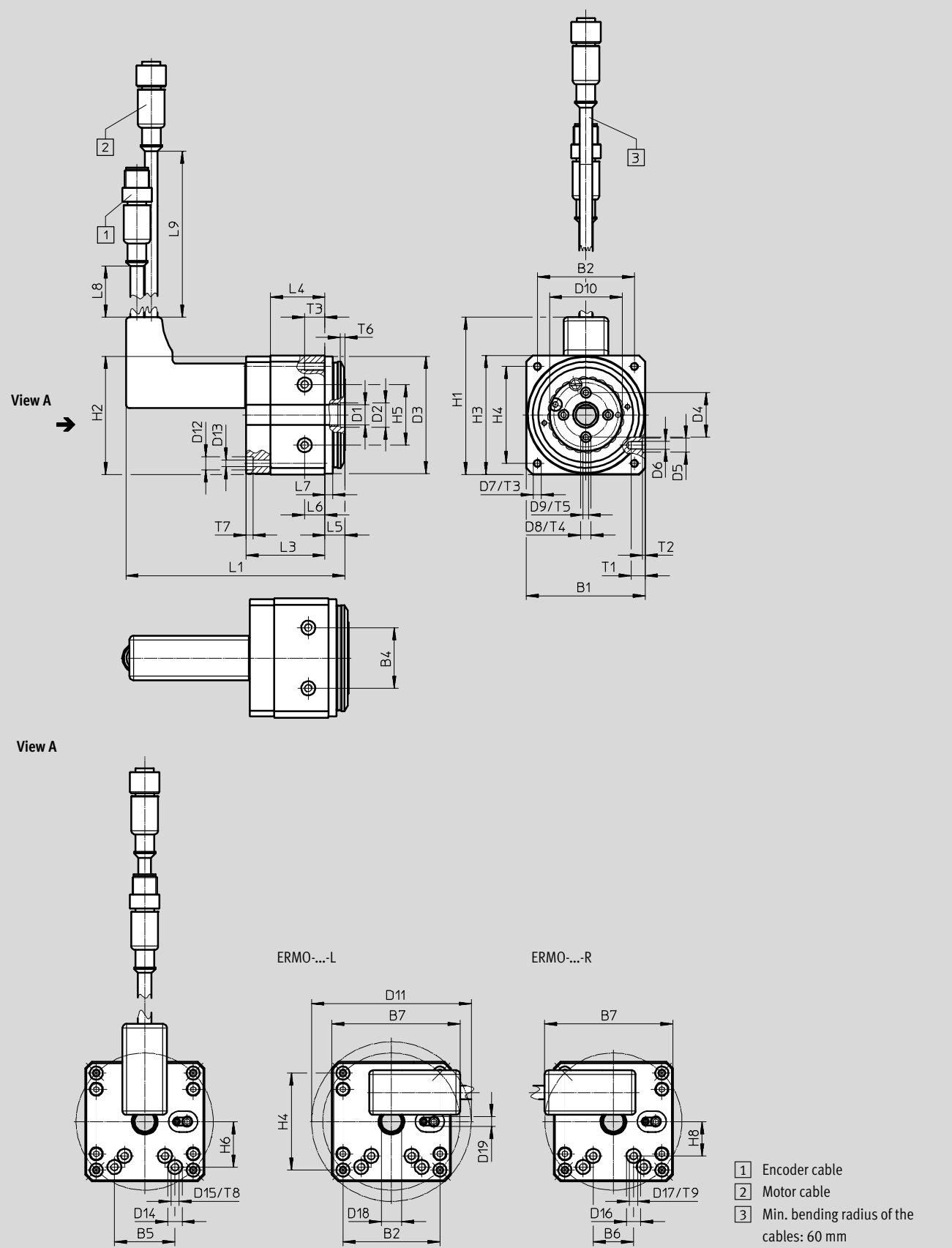
Technical data

FESTO

## Dimensions

Download CAD data → [www.festo.com](http://www.festo.com)

Size 12



# Rotary drives ERMO, electric



Technical data

Size	B1	B2	B4	B5	B6	B7	D1	D2	D3	D4
	±0.3		±0.03	±0.02	±0.02		∅	∅ H8	∅ F8	∅ ±0.02
12	59	48	30	30	20	46	10/7 <sup>1)</sup>	12	58	22

Size	D5	D6	D7	D8	D9	D10	D11	D12	D13	D14
	∅ H7			∅ H7		∅	∅ ±0.5	∅	∅	∅ H7
12	7	M4	M4	5	M3	36	79	6.5	3.4	7

Size	D15	D16	D17	D18	D19	H1	H2	H3	H4	H5
		∅ H7		max.				±0.3		±0.03
12	M4	7	M4	7	M5x0.5	80	58.5	59	48	30

Size	H6	H8	L1	L3	L4	L5	L6	L7	L8	L9
			±1.5	±0.6		±0.2	±0.1	±0.1		
12	22.5	17	100	39	27	10	10	4	300	300

Size	T1	T2	T3	T4	T5	T6	T7	T8	T9
		+0.1		+0.1		+0.1			
12	7	1.5	10	1.2	7	2.5	3.4	1.5	1.5

1) With attached motor

# Rotary drives ERMO, electric

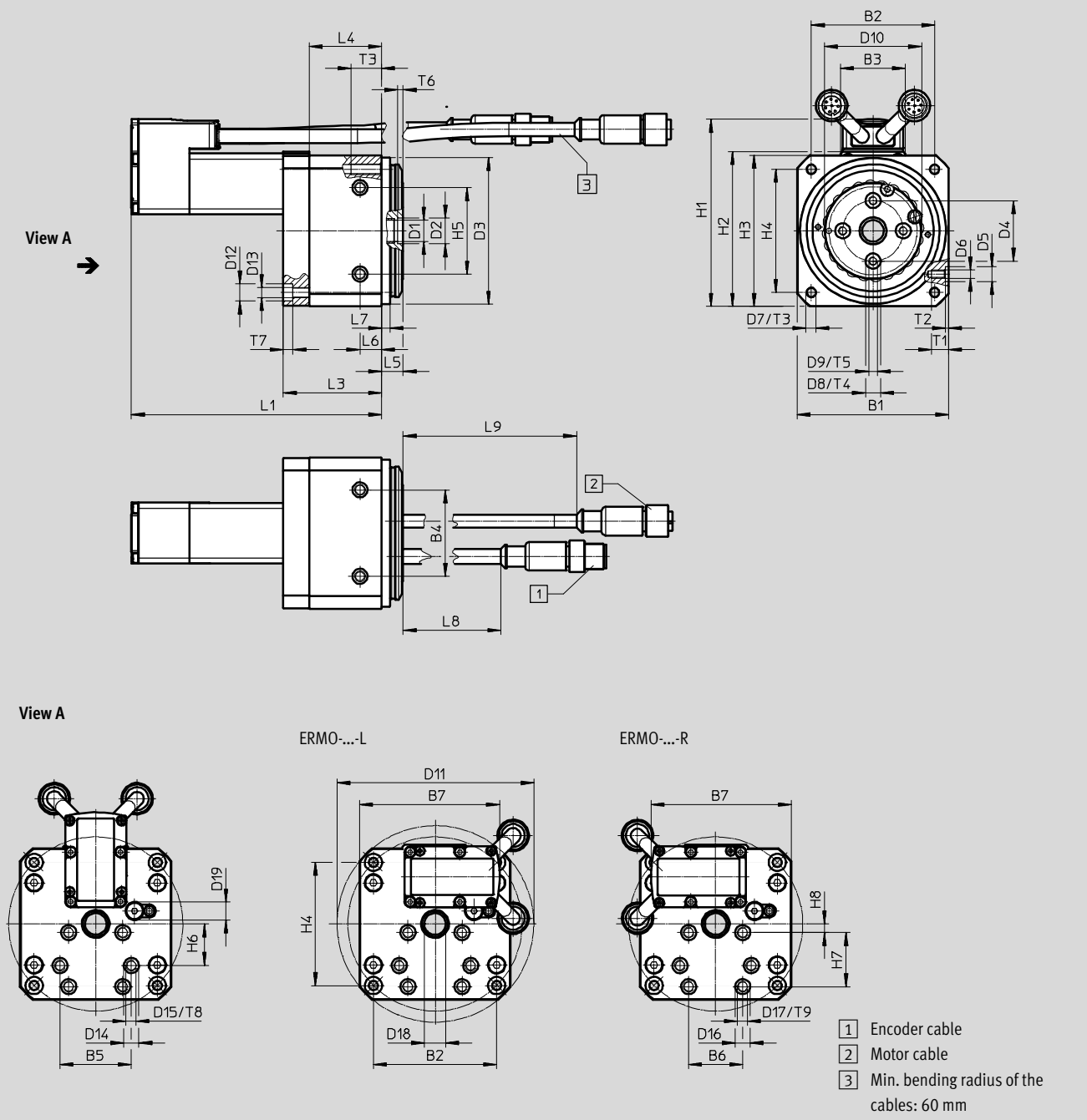
Technical data



## Dimensions

Download CAD data → [www.festo.com](http://www.festo.com)

Size: 16





# Rotary drives ERMO, electric

Technical data

Size	B1	B2	B3	B4	B5	B6	B7	D1 ∅	D2 ∅ H8	D3 ∅ F8	D4 ∅ ±0.02
16	±0.3			±0.03	±0.02	±0.02		10	12	68	28

Size	D5 ∅ H7	D6	D7	D8 ∅ H7	D9	D10 ∅	D11 ∅ ±0.5	D12 ∅	D13 ∅	D14 ∅ H7
16	7	M5	M5	7	M4	45	91	8	4.6	7

Size	D15	D16 ∅ H7	D17	D18 max.	D19	H1	H2	H3 ±0.3	H4	H5 ±0.03
16	M5	7	M5	–	M8x1	87	71.8	70	57	40

Size	H6	H7 ±0.02	H8	L1 ±1.5	L3 ±0.6	L4	L5 ±0.2	L6 ±0.1	L7 ±0.1	L8
16	19.3	25	4	116/142 <sup>1)</sup>	45.5	33.5	10	10	4	250

Size	L9	T1	T2 +0.1	T3	T4 +0.1	T5	T6 +0.1	T7	T8	T9
16	350	8	1.5	14	1.5	8	2.5	4.5	1.5	1.5

1) Motor with brake

# Rotary drives ERMO, electric

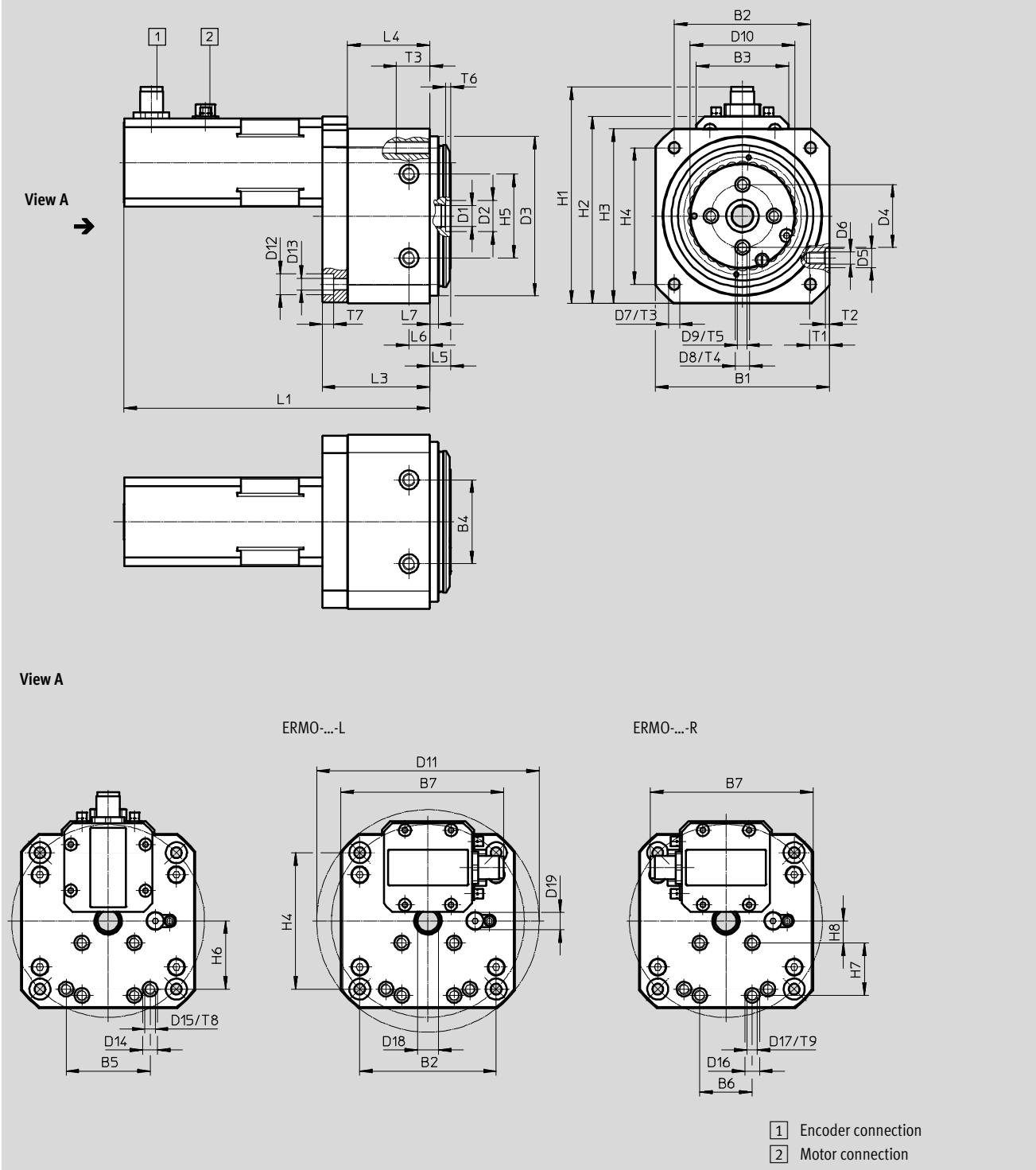
Technical data

FESTO

## Dimensions

Download CAD data → [www.festo.com](http://www.festo.com)

Size 25/32



# Rotary drives ERMO, electric

Technical data

Size	B1 ±0.3	B2	B3	B4 ±0.03	B5 ±0.02	B6 ±0.02	B7	D1 ∅	D2 ∅ H8	D3 ∅ F8	D4 ∅ ±0.02
25	83	65	44	40	40	25	78	10	15	76	30
32	105	85	58	60	-	25	96	16/9 <sup>1)</sup>	20	96	42

Size	D5 ∅ H7	D6	D7	D8 ∅ H7	D9	D10 ∅	D11 ∅ ±0.5	D12 ∅	D13 ∅	D14 ∅ H7
25	9	M6	M6	7	M5	50	106	10	5.5	7
32	12	M8	M8	7	M5	65	135	11	6.6	-

Size	D15	D16 ∅ H7	D17	D18 max.	D19	H1	H2	H3 ±0.3	H4	H5 ±0.03
25	M5	7	M5	10	M8x1	103	89	83	65	40
32	-	7	M5	9	M8x1	125	110.5	105	85	60

Size	H6	H7 ±0.02	H8	L1 ±1.5	L3 ±0.6	L4	L5 ±0.2	L6 ±0.1	L7 ±0.1
25	32.5	25	10.5	146/179 <sup>2)</sup>	51.3	39.3	10	10	4
32	-	25	15	148/189 <sup>2)</sup>	46.5	34.5	12	10	6

Size	T1	T2 +0.1	T3	T4 +0.1	T5	T6 +0.1	T7	T8	T9
25	9.5	2	16	1.5	8.5	2.5	5.5	1.5	1.5
32	15	2.5	20	1.5	10	2.8	6.8	-	1.5

1) With attached motor  
2) Motor with brake

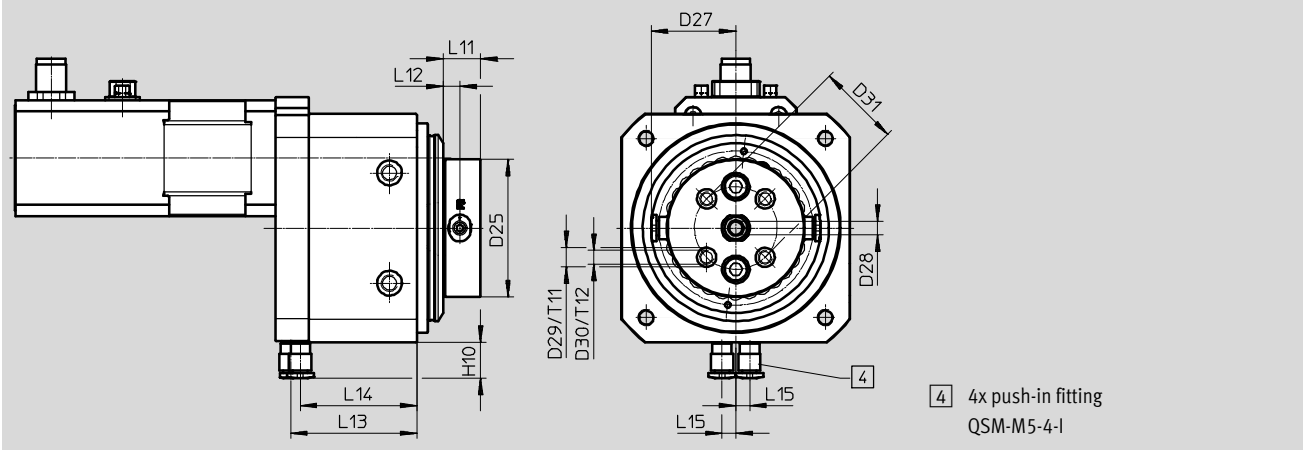
# Rotary drives ERMO, electric

Technical data

**Dimensions**

Download CAD data → [www.festo.com](http://www.festo.com)

P2 – Pneumatic energy throughfeed



Size	D26 Ø	D27 Ø	D28 Ø	D29 Ø H7	D30	D31 Ø ±0.02	H10 ±1
12	44	R42.5	3	5	M3	22	13
16	44	R31	4.8	7	M4	28	13
25	50	R31	4.8	7	M5	30	13
32	64	R36	4.8	7	M5	42	13

Size	L11	L12	L13	L14	L15	T11 +0.1	T12
12	13.5	6	33.8	30.3	4	1.2	8
16	13	6	40.6	37	5	1.5	8
25	13.5	6	45.9	42.4	5	1.5	8.5
32	16	8.6	41.5	38	5	1.5	10

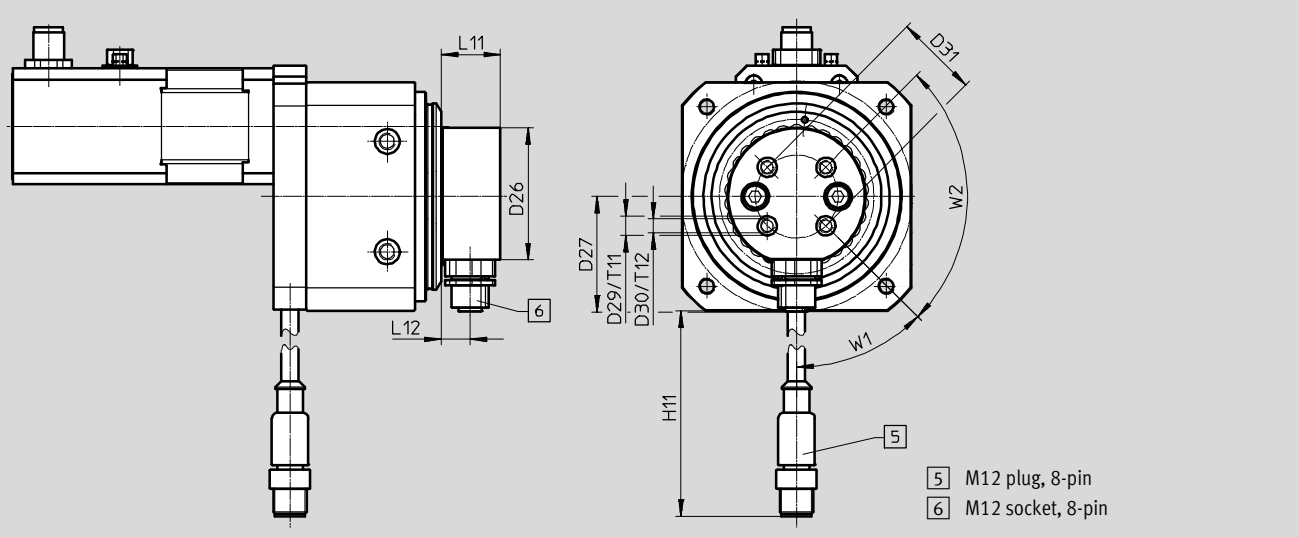
# Rotary drives ERMO, electric

Technical data

## Dimensions

Download CAD data → [www.festo.com](http://www.festo.com)

E8 – Electrical energy throughfeed



Size	D26 Ø	D27 Ø	D29 Ø H7	D30	D31 Ø ±0.02	H11 ±5
12	44	R38.5	5	M3	22	205
16	44	R37.5	7	M4	28	195
25	48	R42	7	M5	30	185
32	64	R47	7	M5	42	175

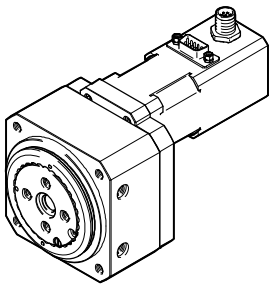
Size	L11	L12	T11 +0.1	T12	W1	W2
12	21.5	10	1.2	8	54°	72°
16	21	10.5	1.5	8	45°	90°
25	21.5	10.5	1.5	8.5	45°	90°
32	21	11	1.5	10	45°	90°

# Rotary drives ERMO, electric

Technical data

FESTO

## ★ Core product range

Ordering data			
	Size	Part No.	Type code
	12	★ 3008525	ERMO-12-ST-E
	16	★ 3008526	ERMO-16-ST-E
	25	★ 3008527	ERMO-25-ST-E
	32	★ 3008528	ERMO-32-ST-E

Festo core product range

- ★ Ready for dispatch from the Festo factory in 24 hours
- ★ Ready for dispatch in 5 days maximum from stock

# Rotary drives ERMO, electric

Ordering data – Modular product system



Ordering table							
Size	12	16	25	32	Condi- tions	Code	Entry code
<b>M</b> Module no.	<b>2954695</b>	<b>2954696</b>	<b>2954697</b>	<b>2954698</b>			
Function	Electric cylinder					<b>ERMO</b>	ERMO
Size	12	16	25	32		★ -...	
Motor type	Stepper motor					★ -ST	-ST
Measuring unit	Encoder					★ -E	-E
<b>O</b> Brake	None		With brake			★	
Cable outlet direction	Top (standard)					★	
	Left					-L	
	Right					-R	
Energy throughfeed	None						
	Pneumatic, 2 ducts					-P2	
	Electrical, 8 signals					-E8	
Connecting cable to motor controller	None					★	
	1.5 m, straight plug					★ +1.5E	
	2.5 m, straight plug					★ +2.5E	
	5 m, straight plug					★ +5E	
	7 m, straight plug					★ +7E	
	10 m, straight plug					★ +10E	
			1.5 m, angled plug			★ +1.5EA	
			2.5 m, angled plug			★ +2.5EA	
			5 m, angled plug			★ +5EA	
			7 m, angled plug			★ +7EA	
Controller type	None					★	
	CMMO, 5 A				1	★ +C5	
Bus protocol/control	None					★	
	Digital I/O interface					★ DIO	
	IO-Link®					★ LK	
Switching input/output	None					★	
	NPN				2	★ N	
	PNP					★ P	

1 DIO, LK, N, P Must be selected if controller type +C5 is selected.

2 N Not with IO-Link LK

**M** Mandatory data

**O** Options

### Transfer order code

**ERMO** -  - **ST** - **E**   -  -  +  +

Festo core product range

★ Ready for dispatch from the Festo factory in 24 hours

★ Ready for dispatch in 5 days maximum from stock

# Rotary drives ERMO, electric

Accessories

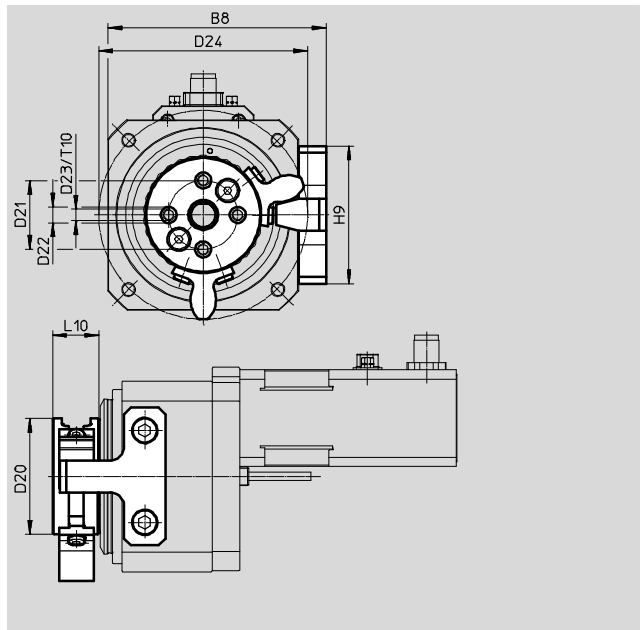
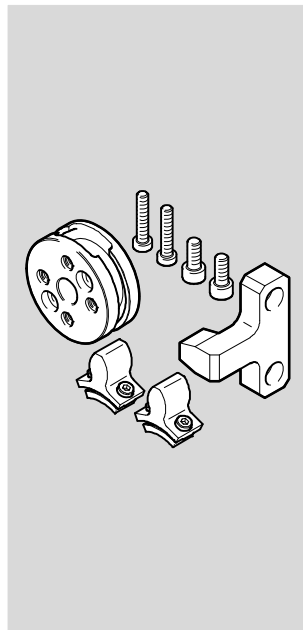


## Stop kit EADP

Materials:

Housing: Anodised aluminium

Stops: Nickel-plated beryllium bronze



Dimensions and ordering data									
For size	B8	D20 ∅ ±0.1	D21 ∅ ±0.1	D22 ∅ H7	D23	D24 ∅	H9	L10 ±0.1	T10
12	69	44	28	7	M4	74.8	40	16	16
16	80	44	28	7	M4	74.2	52	16	16
25	95	50.5	30	7	M5	91	60	20	20
32	120	64	42	7	M5	90	80	27	27




For size	Setting range for rotation angle		Weight [g]	Part No.	Type code
	1 stop	2 stops			
12	0 ... 325	0 ... 280	96	3044562	EADP-ES-R3-12
16	0 ... 325	0 ... 280	100	2715501	EADP-ES-R3-16
25	0 ... 325	0 ... 270	210	2721599	EADP-ES-R3-25
32	0 ... 325	0 ... 270	290	2735411	EADP-ES-R3-32





# Rotary drives ERMO, electric



Accessories

FESTO

Ordering data – Centring sleeves			Technical data → Internet: zbh		
	For size	Description	Part No.	Type code	PU <sup>1)</sup>
	12, 16	For centring the drive for lateral mounting	<b>186717</b>	<b>ZBH-7</b>	10
	25		<b>150927</b>	<b>ZBH-9</b>	
	32		<b>189653</b>	<b>ZBH-12</b>	
	12 ... 32	For centring attachments on the rotating plate	<b>186717</b>	<b>ZBH-7</b>	
	12, 16	For centring attachments in the middle of the rotating plate	<b>189653</b>	<b>ZBH-12</b>	1
	25		<b>191409</b>	<b>ZBH-15</b>	
	32		<b>150901</b>	<b>SLZZ-25/16</b>	

1) Packaging unit

Ordering data – Proximity sensor M5/M8 (round design), inductive						Technical data → Internet: sien	
	Switching element function	Electrical connection	LED	Switching output	Cable length [m]	Part No.	Type code
For size 12							
	N/O contact	Cable, 3-wire	■	PNP	2.5	★ <b>150370</b>	<b>SIEN-M5B-PS-K-L</b>
		Plug M8x1, 3-pin			–	★ <b>150371</b>	<b>SIEN-M5B-PS-S-L</b>
	N/C contact	Cable, 3-wire	■	PNP	2.5	<b>150374</b>	<b>SIEN-M5B-PO-K-L</b>
		Plug M8x1, 3-pin			–	<b>150375</b>	<b>SIEN-M5B-PO-S-L</b>
For size 16 ... 32							
	N/O contact	Cable, 3-wire	■	PNP	2.5	★ <b>150386</b>	<b>SIEN-M8B-PS-K-L</b>
		Plug M8x1, 3-pin			–	★ <b>150387</b>	<b>SIEN-M8B-PS-S-L</b>
	N/C contact	Cable, 3-wire	■	PNP	2.5	<b>150390</b>	<b>SIEN-M8B-PO-K-L</b>
		Plug M8x1, 3-pin			–	<b>150391</b>	<b>SIEN-M8B-PO-S-L</b>

Ordering data – Connecting cables				Technical data → Internet: nebu	
	Electrical connection, left	Electrical connection, right	Cable length [m]	Part No.	Type code
	Straight socket, M8x1, 3-pin	Cable, open end, 3-wire	2.5	<b>159420</b>	<b>SIM-M8-3GD-2,5-PU</b>
			2.5	★ <b>541333</b>	<b>NEBU-M8G3-K-2.5-LE3</b>
			5.0	★ <b>541334</b>	<b>NEBU-M8G3-K-5-LE3</b>
	Angled socket, M8x1, 3-pin	Cable, open end, 3-wire	2.5	★ <b>541338</b>	<b>NEBU-M8W3-K-2.5-LE3</b>
			5.0	★ <b>541341</b>	<b>NEBU-M8W3-K-5-LE3</b>

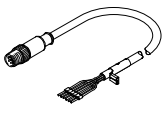
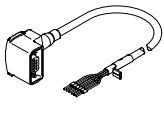
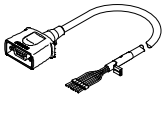
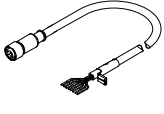
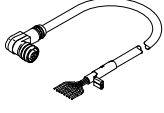
Festo core product range

- ★ Ready for dispatch from the Festo factory in 24 hours
- ☆ Ready for dispatch in 5 days maximum from stock

# Rotary drives ERMO, electric

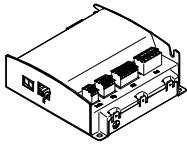
Accessories

FESTO

Ordering data – Cables <sup>1)</sup>					
	For size	Description	Cable length [m]	Part No.	Type code
<b>Motor cable</b>					
	12, 16	Straight plug <sup>2)</sup> – Min. bending radius: 62 mm – Suitable for use with energy chains – Ambient temp.: –40 ... +80 °C	1.5	★ 1449600	NEBM-SM12G8-E-1.5-Q5-LE6
			2.5	★ 1449601	NEBM-SM12G8-E-2.5-Q5-LE6
			5.0	★ 1449602	NEBM-SM12G8-E-5-Q5-LE6
			7.0	★ 1449603	NEBM-SM12G8-E-7-Q5-LE6
			10.0	★ 1449604	NEBM-SM12G8-E-10-Q5-LE6
	25, 32	Angled plug – Min. bending radius: 62 mm – Suitable for use with energy chains – Ambient temp.: –40 ... +80 °C	1.5	★ 1450736	NEBM-S1W9-E-1.5-Q5-LE6
			2.5	★ 1450737	NEBM-S1W9-E-2.5-Q5-LE6
			5.0	★ 1450738	NEBM-S1W9-E-5-Q5-LE6
			7.0	★ 1450739	NEBM-S1W9-E-7-Q5-LE6
			10.0	★ 1450740	NEBM-S1W9-E-10-Q5-LE6
	25, 32	Straight plug – Min. bending radius: 62 mm – Suitable for use with energy chains – Ambient temp.: –40 ... +80 °C	1.5	★ 1450368	NEBM-S1G9-E-1.5-Q5-LE6
			2.5	★ 1450369	NEBM-S1G9-E-2.5-Q5-LE6
			5.0	★ 1450370	NEBM-S1G9-E-5-Q5-LE6
			7.0	★ 1450371	NEBM-S1G9-E-7-Q5-LE6
			10.0	★ 1450372	NEBM-S1G9-E-10-Q5-LE6
<b>Encoder cable</b>					
	12, 16, 25, 32	Straight plug – Min. bending radius: 68 mm – Suitable for use with energy chains – Ambient temp.: –40 ... +80 °C	1.5	★ 1451586	NEBM-M12G8-E-1.5-LE8
			2.5	★ 1451587	NEBM-M12G8-E-2.5-LE8
			5.0	★ 1451588	NEBM-M12G8-E-5-LE8
			7.0	★ 1451589	NEBM-M12G8-E-7-LE8
			10.0	★ 1451590	NEBM-M12G8-E-10-LE8
	25, 32	Angled plug – Min. bending radius: 68 mm – Suitable for use with energy chains – Ambient temp.: –40 ... +80 °C	1.5	★ 1451674	NEBM-M12W8-E-1.5-LE8
			2.5	★ 1451675	NEBM-M12W8-E-2.5-LE8
			5.0	★ 1451676	NEBM-M12W8-E-5-LE8
			7.0	★ 1451677	NEBM-M12W8-E-7-LE8
			10.0	★ 1451678	NEBM-M12W8-E-10-LE8

1) Other cable lengths on request.

2) Also suitable for connection to the energy throughfeed output.

Ordering data – Motor controller			Technical data → Internet: cmmo	
	Description	Part No.	Type code	
	With I/O interface			
	Switching input/output PNP	★ 1512316	CMMO-ST-C5-1-DIOP	
	Switching input/output NPN	★ 1512317	CMMO-ST-C5-1-DION	
	With IO-Link®			
	Switching input/output PNP	★ 1512320	CMMO-ST-C5-1-LKP	

Festo core product range

- ★ Ready for dispatch from the Festo factory in 24 hours
- ★ Ready for dispatch in 5 days maximum from stock

# Festo North America



**1 Festo Canada  
Headquarters  
Festo Inc.**  
5300 Explorer Drive  
Mississauga, ON  
L4W 5G4

**2 Montréal**  
5600, Trans-Canada  
Pointe-Claire, QC  
H9R 1B6

**3 Québec City**  
2930, rue Watt#117  
Québec, QC  
G1X 4G3



**4 Festo United States  
Headquarters  
Festo Corporation**  
395 Moreland Road  
Hauppauge, NY  
11788

**5 Appleton**  
North 922 Tower View Drive, Suite N  
Greenville, WI  
54942

**7 Detroit**  
1441 West Long Lake Road  
Troy, MI  
48098

**6 Chicago**  
85 W Algonquin - Suite 340  
Arlington Heights, IL  
60005

**8 Silicon Valley**  
4935 Southfront Road, Suite F  
Livermore, CA  
94550

## Festo Regional Contact Center

### Canadian Customers

Commercial Support:  
Tel: 1 877 GO FESTO (1 877 463 3786)  
Fax: 1 877 FX FESTO (1 877 393 3786)  
Email: festo.canada@ca.festo.com

Technical Support:  
Tel: 1 866 GO FESTO (1 866 463 3786)  
Fax: 1 877 FX FESTO (1 877 393 3786)  
Email: technical.support@ca.festo.com

### USA Customers

Commercial Support:  
Tel: 1 800 99 FESTO (1 800 993 3786)  
Fax: 1 800 96 FESTO (1 800 963 3786)  
Email: customer.service@us.festo.com

Technical Support:  
Tel: 1 866 GO FESTO (1 866 463 3786)  
Fax: 1 800 96 FESTO (1 800 963 3786)  
Email: product.support@us.festo.com