

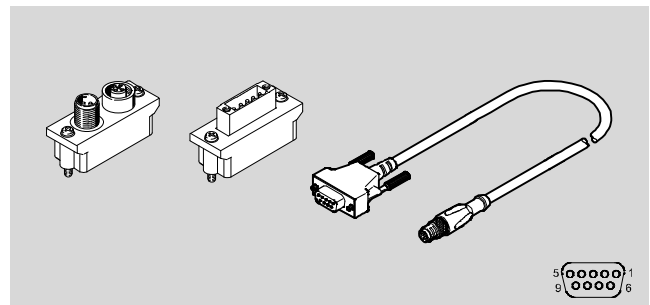
Electrical adapters, Sub-D socket, 9-pin

Technical data

FESTO

Fieldbus adapter FBA

Fieldbus adapter Sub-D, 9-pin on M12 or screw terminal, for CANopen and DeviceNet®



General technical data	
Electrical connection 1	Straight socket, Sub-D, 9-pin, field device side
Type of mounting	2 screws 4-40 UNC
Nominal operating voltage [V DC]	24
Protocol	CANopen DeviceNet®

Electrical data			
Type	FBA-2-M12-5POL	FBA-1-SL-5POL	FBA-CO-SUB-9-M12
Electrical connection 2	<ul style="list-style-type: none"> • Straight plug, M12x1, 5-pin, A-coded to EN 61076-2-101 • Straight socket, M12x1, 5-pin, A-coded to EN 61076-2-101 	Straight plug, 5-pin	Straight plug, M12x1, 5-pin, A-coded to EN 61076-2-101
Cable length [m]	0	0	0.1
Cable diameter [mm]	–	–	6.3
Cable design [mm ²]	–	–	4 x 0.34, shielded
Nominal conductor cross section [mm ²]	–	–	0.34
Acceptable current load [A]	4	4	–
Degree of protection to EN 60529	IP65	IP40	IP67 in assembled state

Materials			
Type	FBA-2-M12-5POL	FBA-1-SL-5POL	FBA-CO-SUB-9-M12
Housing	PA	PA	–
Housing colour	Black	Black	–
Cable sheath	–	–	TPE-U (PUR)
Pin contacts	Gold-plated bronze	Gold-plated bronze	–
Note on materials	RoHS compliant	RoHS compliant	Contains paint-wetting impairment substances

Operating and environmental conditions			
Type	FBA-2-M12-5POL	FBA-1-SL-5POL	FBA-CO-SUB-9-M12
Ambient temperature [°C]	–5 ... +50	–5 ... +50	–5 ... +50
Storage temperature [°C]	–20 ... +70	–20 ... +70	–

Electrical adapters, Sub-D socket, 9-pin

Technical data

Pin allocation – Sub-D/opposite side							
FBA-2-M12-5POL							
Sub-D connection	Pin	Pin	Plug	Sub-D connection	Pin	Pin	Socket
	1	–			1	–	
	2	5			2	5	
	3	3			3	3	
	4	–			4	–	
	5	1			5	1	
	6	–			6	–	
	7	4			7	4	
	8	–			8	–	
	9	2			9	2	
	Housing	1			Housing	1	
FBA-1-SL-5POL							
Sub-D connection	Pin	Pin	Plug				
	1	–					
	2	2					
	3	1					
	4	–					
	5	3					
	6	–					
	7	4					
	8	–					
	9	5					
	Housing	3					
FBA-CO-SUB-9-M12							
Sub-D connection	Pin	Pin	Plug				
	1	–					
	2	5					
	3	3					
	4	–					
	5	1					
	6	3					
	7	4					
	8	–					
	9	2					
	Housing	1					

Electrical adapters, Sub-D socket, 9-pin

Technical data

FESTO

Dimensions

FBA-2-M12-5POL

1 Sub-D socket, 9-pin

Download CAD data → www.festo.com

FBA-1-SL-...

1 Sub-D socket, 9-pin

Ordering data					
	Electrical connection 1	Electrical connection 2	Weight [g]	Part No.	Type
	Straight socket, Sub-D, 9-pin	<ul style="list-style-type: none"> Straight plug, M12x1, 5-pin Straight socket, M12x1, 5-pin 	28	525632	FBA-2-M12-5POL
		Straight plug, 5-pin	26	525634	FBA-1-SL-5POL
		Straight plug, M12x1, 5-pin	–	540324	FBA-CO-SUB-9-M12

Ordering data – Accessories					
	Electrical connection	Weight [g]	Part No.	Type	
	Modular system for all types of connecting cable Q1 ... 30 m → Internet: nebu	–	–	NEBU-...	
For FBA-2-M12-5POL					
	Socket M12x1, 5-pin, straight	33	18324	FBSD-GD-9-5POL	
	Plug M12x1, 5-pin, straight	23.5	175380	FBS-M12-5GS-PG9	
For FBA-1-SL-5POL					
	<ul style="list-style-type: none"> Angled socket, 5-pin; Screw terminal, 5-pin Degree of protection IP20 	20	525635	FBSD-KL-2x5POL	

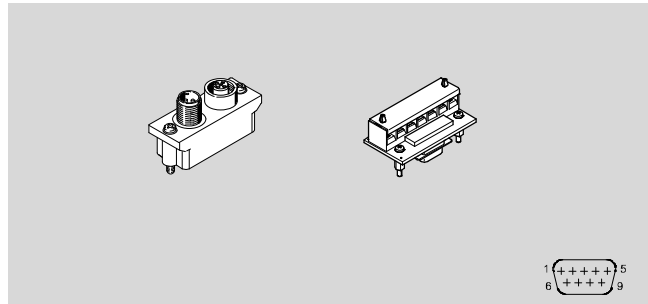
Electrical adapters, Sub-D plug, 9-pin

Technical data

FESTO

Fieldbus adapter FBA

Fieldbus adapter Sub-D, 9-pin on M12 or screw terminal, for PROFIBUS and CC-LINK®



General technical data	
Electrical connection 1	Straight plug, Sub-D, 9-pin, field device side
Type of mounting	2 screws 4-40 UNC
Nominal operating voltage [V DC]	24
Protocol	PROFIBUS CC-LINK®

Electrical data		
Type	FBA-2-M12-5POL-RK	FBA-1-KL-5POL
Electrical connection 2	<ul style="list-style-type: none"> Straight plug, M12x1, 5-pin, B-coded to EN 61076-2-101 Straight socket, M12x1, 5-pin, B-coded to EN 61076-2-101 	Screw terminal, 5-pin
Degree of protection to EN 60529	IP65	-

Materials		
Type	FBA-2-M12-5POL-RK	FBA-1-KL-5POL
Seals	NBR	-
Note on materials	-	RoHS compliant

Operating and environmental conditions		
Type	FBA-2-M12-5POL-RK	FBA-1-KL-5POL
Ambient temperature [°C]	0 ... +50	-5 ... +50
Storage temperature [°C]	-20 ... +70	-20 ... +70
Relative humidity [%]	95, non-condensing	-

Electrical adapters, Sub-D plug, 9-pin

Technical data

Pin allocation – Sub-D/opposite side							
FBA-2-M12-5POL-RK							
Sub-D connection	Pin	Pin	Plug	Sub-D connection	Pin	Pin	Socket
	1	5			1	5	
	2	-			2	-	
	3	4			3	4	
	4	-			4	-	
	5	-			5	3	
	6	-			6	1	
	7	-			7	-	
	8	2			8	2	
	9	-			9	-	
	Housing	Housing			Housing	Housing	
FBA-1-KL-5POL							
Sub-D connection	Pin	Pin	Plug				
	1	-					
	2	DA					
	3	DG					
	4	-					
	5	PG					
	6	-					
	7	DB					
	8	-					
	9	-					
	Housing	SLD					

Dimensions

FBA-2-M12-5POL-RK

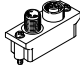
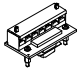
Download CAD data → www.festo.com

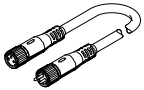
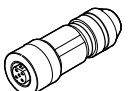
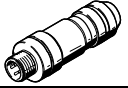
FBA-1-KL-...

1 Plug, Sub-D, 9-pin

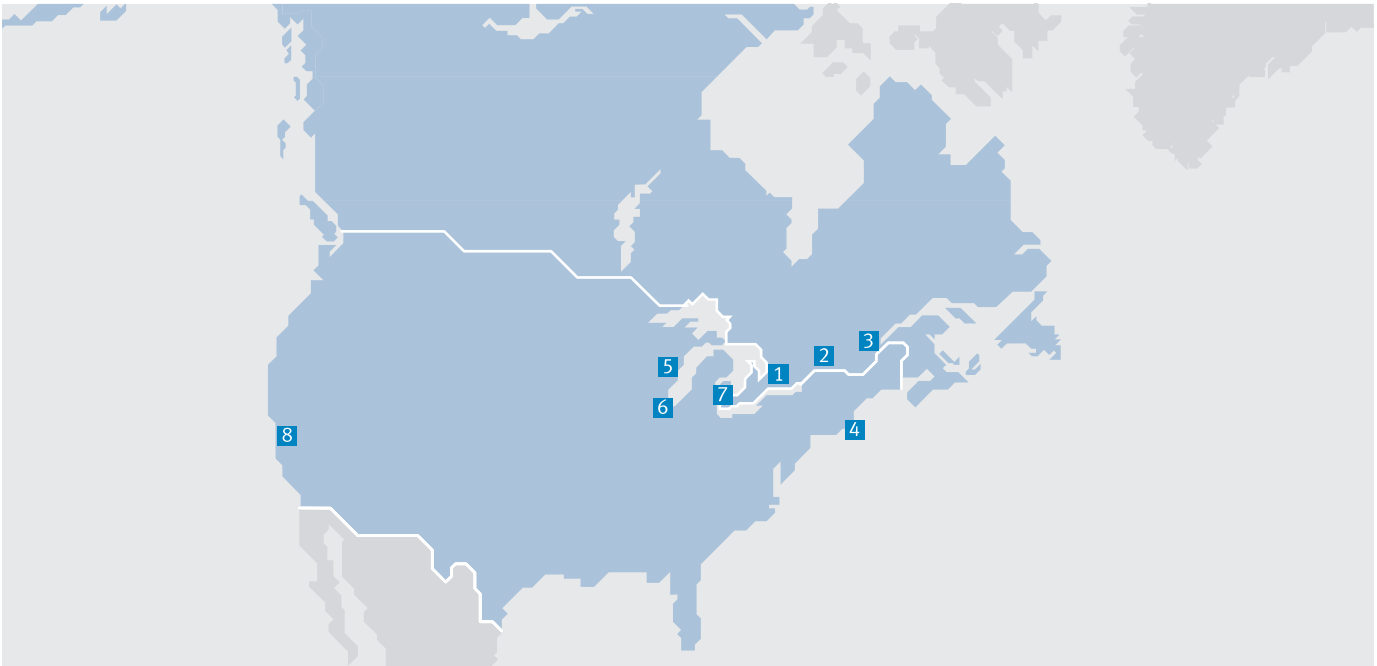
Electrical adapters, Sub-D plug, 9-pin

Technical data

Ordering data					
	Electrical connection 1	Electrical connection 2	Weight [g]	Part No.	Type
	Straight plug, Sub-D, 9-pin	<ul style="list-style-type: none"> • Straight plug, M12x1, 5-pin • Straight socket, M12x1, 5-pin 	80	533118	FBA-2-M12-5POL-RK
		Screw terminal, 5-pin	47	197962	FBA-1-KL-5POL

Ordering data – Accessories					
	Electrical connection	Weight [g]	Part No.	Type	
	Modular system for all types of connecting cable Q1 ... 30 m → Internet: nebu	–	–	NEBU-...	
For FBA-2-M12-5POL-RK					
	Socket M12x1, 5-pin, straight	48	1067905	NECU-M-B12G5-C2-PB	
	Plug M12x1, 5-pin, straight	46	1066354	NECU-M-S-B12G5-C2-PB	

Festo North America



**1 Festo Canada
Headquarters
Festo Inc.**
5300 Explorer Drive
Mississauga, ON
L4W 5G4

2 Montréal
5600, Trans-Canada
Pointe-Claire, QC
H9R 1B6

3 Québec City
2930, rue Watt#117
Québec, QC
G1X 4G3



**4 Festo United States
Headquarters
Festo Corporation**
395 Moreland Road
Hauppauge, NY
11788

5 Appleton
North 922 Tower View Drive, Suite N
Greenville, WI
54942

7 Detroit
1441 West Long Lake Road
Troy, MI
48098

6 Chicago
85 W Algonquin - Suite 340
Arlington Heights, IL
60005

8 Silicon Valley
4935 Southfront Road, Suite F
Livermore, CA
94550

Festo Regional Contact Center

Canadian Customers

Commercial Support:
Tel: 1 877 GO FESTO (1 877 463 3786)
Fax: 1 877 FX FESTO (1 877 393 3786)
Email: festo.canada@ca.festo.com

Technical Support:
Tel: 1 866 GO FESTO (1 866 463 3786)
Fax: 1 877 FX FESTO (1 877 393 3786)
Email: technical.support@ca.festo.com

USA Customers

Commercial Support:
Tel: 1 800 99 FESTO (1 800 993 3786)
Fax: 1 800 96 FESTO (1 800 963 3786)
Email: customer.service@us.festo.com

Technical Support:
Tel: 1 866 GO FESTO (1 866 463 3786)
Fax: 1 800 96 FESTO (1 800 963 3786)
Email: product.support@us.festo.com

Subject to change

Internet: www.festo.com/us