

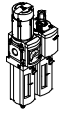
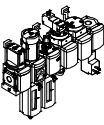



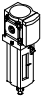

Filters MS-LF/LFM/LFX, MS series



# Filters MS-LF/LFM/LFX, MS series

Product range overview – MS series service units



Type	Size	Pneumatic connection in housing	Connecting plate	Pressure regulation range [bar]						Grade of filtration [µm]			
				0.05 ... 0.7	0.05 ... 2.5	0.1 ... 4	0.3 ... 7	0.1 ... 12	0.5 ... 16	0.01	1	5	40
Code			AG.../AQ...	D2	D4	D5	D6	D7	D8	A	B	C	E
<b>Service unit combinations</b>													
<b>MSB-FRC</b> 	4	G1/8, G1/4	G1/8, G1/4, G3/8	-	-	-	■	■	-	-	-	■	■
	6	G1/4, G3/8, G1/2	G1/4, G3/8, G1/2, G3/4	-	-	-	■	■	-	-	-	■	■
	9	-	-	-	-	-	-	-	-	-	-	-	-
	12	-	-	-	-	-	-	-	-	-	-	-	-
<b>Service unit combinations (further variants can be ordered using the configurator → Internet: msb4, msb6 or msb9)</b>													
<b>MSB</b> 	4	G1/4	G1/8, G1/4, G3/8	-	-	-	■	■	-	-	-	■	■
	6	G1/2	G1/4, G3/8, G1/2, G3/4	-	-	-	■	■	-	-	-	■	■
	9	-	-	-	-	-	-	-	-	-	-	-	-
	12	-	-	-	-	-	-	-	-	-	-	-	-
<b>Individual devices</b>													
Filter regulators <b>MS-LFR</b> 	4	G1/8, G1/4	G1/8, G1/4, G3/8	-	-	■	■	■	-	-	-	■	■
	6	G1/4, G3/8, G1/2	G1/4, G3/8, G1/2, G3/4	-	-	■	■	■	■	-	-	■	■
	9	G3/4, G1	G1/2, G3/4, G1, G1 1/4, G1 1/2	-	-	■	■	■	■	-	-	■	■
	12	-	G1, G1 1/4, G1 1/2, G2	-	-	-	■	■	■	-	-	■	■
Filters <b>MS-LF</b> 	4	G1/8, G1/4	G1/8, G1/4, G3/8	-	-	-	-	-	-	-	-	■	■
	6	G1/4, G3/8, G1/2	G1/4, G3/8, G1/2, G3/4	-	-	-	-	-	-	-	-	■	■
	9	G3/4, G1	G1/2, G3/4, G1, G1 1/4, G1 1/2	-	-	-	-	-	-	-	-	■	■
	12	-	G1, G1 1/4, G1 1/2, G2	-	-	-	-	-	-	-	-	■	■
Fine and micro filters <b>MS-LFM</b> 	4	G1/8, G1/4	G1/8, G1/4, G3/8	-	-	-	-	-	-	■	■	-	-
	6	G1/4, G3/8, G1/2	G1/4, G3/8, G1/2, G3/4	-	-	-	-	-	-	■	■	-	-
	9	G3/4, G1	G1/2, G3/4, G1, G1 1/4, G1 1/2	-	-	-	-	-	-	■	■	-	-
	12	-	G1, G1 1/4, G1 1/2, G2	-	-	-	-	-	-	■	■	-	-
Activated carbon filters <b>MS-LFX</b> 	4	G1/8, G1/4	G1/8, G1/4, G3/8	-	-	-	-	-	-	-	-	-	-
	6	G1/4, G3/8, G1/2	G1/4, G3/8, G1/2, G3/4	-	-	-	-	-	-	-	-	-	-
	9	G3/4, G1	G1/2, G3/4, G1, G1 1/4, G1 1/2	-	-	-	-	-	-	-	-	-	-
	12	-	G1, G1 1/4, G1 1/2, G2	-	-	-	-	-	-	-	-	-	-
Water separators <b>MS-LWS</b> 	4	-	-	-	-	-	-	-	-	-	-	-	-
	6	G1/4, G3/8, G1/2	G1/4, G3/8, G1/2, G3/4	-	-	-	-	-	-	-	-	-	-
	9	G3/4, G1	G1/2, G3/4, G1, G1 1/4, G1 1/2	-	-	-	-	-	-	-	-	-	-
	12	-	G1, G1 1/4, G1 1/2, G2	-	-	-	-	-	-	-	-	-	-

# Filters MS-LF/LFM/LFX, MS series

Product range overview – MS series service units

Type	Size	Bowl guard		Condensate drains				Pressure indicator					Security		Options		→ Page/ Internet
		Plastic bowl with plastic bowl guard	Metal bowl	Manual rotary	Semi-automatic	Fully automatic	External, fully automatic, electrical	Cover plate (without pressure gauge)	Integrated MS pressure gauge	Adapter plate for EN pressure gauge G1/8	Adapter plate for EN pressure gauge G1/4	Pressure sensor	Rotary knob with detent, lockable via accessories	Rotary knob with integrated lock	Silencer	Flow direction from right to left	
Code		R	U	M	H	V	E...	VS	AG	A8	A4	AD...	AS	E11	S	Z	
<b>Service unit combinations</b>																	
<b>MSB-FRC</b>	4	■	-	■	-	■	-	-	■	-	-	-	■	-	-	■	msb4
	6	■	■	■	-	■	-	-	■	-	-	-	■	-	-	■	msb6
	9	-	-	-	-	-	-	-	-	-	-	-	-	-	-	-	-
	12	-	-	-	-	-	-	-	-	-	-	-	-	-	-	-	-
<b>Service unit combinations</b>																	
<b>MSB</b>	4	■	■	■	-	■	-	-	■	-	-	-	■	-	-	■	msb4
	6	■	■	■	-	■	-	-	■	-	-	-	■	-	-	■	msb6
	9	-	-	-	-	-	-	-	-	-	-	-	-	-	-	-	-
	12	-	-	-	-	-	-	-	-	-	-	-	-	-	-	-	-
<b>Individual devices</b>																	
Filter regulators <b>MS-LFR</b>	4	■	■	■	■	■	-	■	■	■	■	■	■	■	-	■	ms4-lfr
	6	■	■	■	■	■	■	■	■	■	■	■	■	■	-	■	ms6-lfr
	9	-	■	■	■	■	■	■	■	■	■	■	■	■	-	■	ms9-lfr
	12	-	■	■	-	■	■	■	■	■	■	■	■	■	-	■	ms12-lfr
Filters <b>MS-LF</b>	4	■	■	■	■	■	-	-	-	-	-	-	-	-	-	■	8, 10
	6	■	■	■	■	■	■	-	-	-	-	-	-	-	-	■	8, 10
	9	-	■	■	■	■	■	-	-	-	-	-	-	-	-	■	39
	12	-	■	■	-	■	■	-	-	-	-	-	-	-	-	■	67
Fine and micro filters <b>MS-LFM</b>	4	■	■	■	■	■	-	-	-	-	-	-	-	-	-	■	8, 20
	6	■	■	■	■	■	■	-	-	-	-	-	-	-	-	■	8, 20
	9	-	■	■	■	■	■	-	-	-	-	-	-	-	-	■	47
	12	-	■	■	-	■	■	-	-	-	-	-	-	-	-	■	74
Activated carbon filters <b>MS-LFX</b>	4	■	■	-	-	-	-	-	-	-	-	-	-	-	-	■	8, 34
	6	■	■	-	-	-	-	-	-	-	-	-	-	-	-	■	8, 34
	9	-	■	-	-	-	-	-	-	-	-	-	-	-	-	■	60
	12	-	■	-	-	-	-	-	-	-	-	-	-	-	-	■	83
<b>Water separators</b>																	
<b>MS-LWS</b>	4	-	-	-	-	-	-	-	-	-	-	-	-	-	-	-	-
	6	-	■	-	-	■	■	-	-	-	-	-	-	-	-	■	ms6-lws
	9	-	■	-	-	■	■	-	-	-	-	-	-	-	-	■	ms9-lws
	12	-	■	-	-	■	■	-	-	-	-	-	-	-	-	■	ms12-lws

# Filters MS-LF/LFM/LFX, MS series

Product range overview – MS series service units



Type	Size	Pneumatic connection in housing	Connecting plate	Pressure regulation range [bar]								Supply voltage			
				0.05	0.05	0.1	0.3	0.1	0.5	24 V DC, connection pattern to EN 175301	24 V DC, connection M12 to IEC 61076-2-101	110 V AC, connection pattern to EN 175301	230 V AC, connection pattern to EN 175301		
Code			AG.../AQ...	D2	D4	D5	D6	D7	D8	V24	V24P	V110	V230		
<b>Individual devices</b>															
Pressure regulators <b>MS-LR</b>		4	G1/8, G1/4	G1/8, G1/4, G3/8	-	-	■	■	■	-	-	-	-		
		6	G1/4, G3/8, G1/2	G1/4, G3/8, G1/2, G3/4	-	-	■	■	■	■	-	-	-		
		9	G3/4, G1	G1/2, G3/4, G1, G1 1/4, G1 1/2	-	-	■	■	■	■	-	-	-		
		12	-	G1, G1 1/4, G1 1/2, G2	-	-	-	■	■	■	-	-	-		
Pressure regulators <b>MS-LRB</b>		4	G1/4	G1/8, G1/4, G3/8	-	-	■	■	■	-	-	-	-		
		6	G1/2	G1/4, G3/8, G1/2, G3/4	-	-	■	■	■	■	-	-	-		
		9	-	-	-	-	-	-	-	-	-	-	-		
		12	-	-	-	-	-	-	-	-	-	-	-		
Precision pressure regulators <b>MS-LRP</b>		4	-	-	-	-	-	-	-	-	-	-	-		
		6	G1/4, G3/8, G1/2	G1/4, G3/8, G1/2, G3/4	■	■	■	-	■	-	-	-	-		
		9	-	-	-	-	-	-	-	-	-	-	-		
		12	-	-	-	-	-	-	-	-	-	-	-		
Precision pressure regulators <b>MS-LRPB</b>		4	-	-	-	-	-	-	-	-	-	-	-		
		6	G1/2	G1/4, G3/8, G1/2, G3/4	■	■	■	-	■	-	-	-	-		
		9	-	-	-	-	-	-	-	-	-	-	-		
		12	-	-	-	-	-	-	-	-	-	-	-		
Electrical pressure regulators <b>MS-LRE</b>		4	-	-	-	-	-	-	-	-	-	-	-		
		6	G1/4, G3/8, G1/2	G1/4, G3/8, G1/2, G3/4	-	-	■	■	■	■	-	-	-		
		9	-	-	-	-	-	-	-	-	-	-	-		
		12	-	-	-	-	-	-	-	-	-	-	-		
Lubricators <b>MS-LOE</b>		4	G1/8, G1/4	G1/8, G1/4, G3/8	-	-	-	-	-	-	-	-	-		
		6	G1/4, G3/8, G1/2	G1/4, G3/8, G1/2, G3/4	-	-	-	-	-	-	-	-	-		
		9	G3/4, G1	G1/2, G3/4, G1, G1 1/4, G1 1/2	-	-	-	-	-	-	-	-	-		
		12	-	G1, G1 1/4, G1 1/2, G2	-	-	-	-	-	-	-	-	-		
On-off valves, manually actuated <b>MS-EM(1)</b>		4	G1/8, G1/4	G1/8, G1/4, G3/8	-	-	-	-	-	-	-	-	-		
		6	G1/4, G3/8, G1/2	G1/4, G3/8, G1/2, G3/4	-	-	-	-	-	-	-	-	-		
		9	G3/4, G1	G1/2, G3/4, G1, G1 1/4, G1 1/2	-	-	-	-	-	-	-	-	-		
		12	-	G1, G1 1/4, G1 1/2, G2	-	-	-	-	-	-	-	-	-		
On-off valves, electrically actuated <b>MS-EE</b>		4	G1/8, G1/4	G1/8, G1/4, G3/8	-	-	-	-	-	■	-	■	■		
		6	G1/4, G3/8, G1/2	G1/4, G3/8, G1/2, G3/4	-	-	-	-	-	■	-	■	■		
		9	G3/4, G1	G1/2, G3/4, G1, G1 1/4, G1 1/2	-	-	-	-	-	■	■	■	■		
		12	-	G1, G1 1/4, G1 1/2, G2	-	-	-	-	-	■	■	■	■		
Soft-start valves, pneumatically actuated <b>MS-DL</b>		4	G1/8, G1/4	G1/8, G1/4, G3/8	-	-	-	-	-	-	-	-	-		
		6	G1/4, G3/8, G1/2	G1/4, G3/8, G1/2, G3/4	-	-	-	-	-	-	-	-	-		
		9	-	-	-	-	-	-	-	-	-	-	-		
		12	-	G1, G1 1/4, G1 1/2, G2	-	-	-	-	-	-	-	-	-		
Soft-start valves, electrically actuated <b>MS-DE</b>		4	G1/8, G1/4	G1/8, G1/4, G3/8	-	-	-	-	-	■	-	■	■		
		6	G1/4, G3/8, G1/2	G1/4, G3/8, G1/2, G3/4	-	-	-	-	-	■	-	■	■		
		9	-	-	-	-	-	-	-	-	-	-	-		
		12	-	G1, G1 1/4, G1 1/2, G2	-	-	-	-	-	■	■	■	■		

# Filters MS-LF/LFM/LFX, MS series

Product range overview – MS series service units



Type	Size	Bowl guard		Pressure indicator				Security			Options		→ Page/ Internet
		Plastic bowl with plastic bowl guard	Metal bowl	Cover plate (without pressure gauge)	Integrated MS pressure gauge	Adapter plate for EN pressure gauge G1/8	Adapter plate for EN pressure gauge G1/4	Pressure sensor	Rotary knob with detent, lockable via accessories	Rotary knob with integrated lock	Silencer	Flow direction from right to left	
Code		R	U	VS	AG	A8	A4	AD...	AS	E11	S	Z	
<b>Individual devices</b>													
Pressure regulators <b>MS-LR</b>	4	-	-	■	■	■	■	■	■	■	-	■	ms4-lr
	6	-	-	■	■	-	■	■	■	■	-	■	ms6-lr
	9	-	-	■	■	-	■	■	■	■	-	■	ms9-lr
	12	-	-	■	■	-	■	-	■	■	-	■	ms12-lr
Pressure regulators <b>MS-LRB</b>	4	-	-	■	■	■	■	■	■	■	-	■	ms4-lrb
	6	-	-	■	■	-	■	■	■	■	-	■	ms6-lrb
	9	-	-	-	-	-	-	-	-	-	-	-	-
	12	-	-	-	-	-	-	-	-	-	-	-	-
Precision pressure regulators <b>MS-LRP</b>	4	-	-	-	-	-	-	-	-	-	-	-	-
	6	-	-	■	-	■	■	■	■	■	-	■	ms6-lrp
	9	-	-	-	-	-	-	-	-	-	-	-	-
	12	-	-	-	-	-	-	-	-	-	-	-	-
Precision pressure regulators <b>MS-LRPB</b>	4	-	-	-	-	-	-	-	-	-	-	-	-
	6	-	-	■	-	■	■	■	■	■	-	■	ms6-lrpb
	9	-	-	-	-	-	-	-	-	-	-	-	-
	12	-	-	-	-	-	-	-	-	-	-	-	-
Electrical pressure regulators <b>MS-LRE</b>	4	-	-	-	-	-	-	-	-	-	-	-	-
	6	-	-	■	■	-	■	-	-	-	-	■	ms6-lre
	9	-	-	-	-	-	-	-	-	-	-	-	-
	12	-	-	-	-	-	-	-	-	-	-	-	-
Lubricators <b>MS-LOE</b>	4	■	■	-	-	-	-	-	-	-	-	■	ms4-loe
	6	■	■	-	-	-	-	-	-	-	-	■	ms6-loe
	9	-	■	-	-	-	-	-	-	-	-	■	ms9-loe
	12	-	■	-	-	-	-	-	-	-	-	■	ms12-loe
On-off valves, manually actuated <b>MS-EM(1)</b>	4	-	-	■	■	■	■	■	-	-	■	■	ms4-em1
	6	-	-	■	■	-	■	■	-	-	■	■	ms6-em1
	9	-	-	■	■	-	■	-	-	-	■	■	ms9-em
	12	-	-	■	■	-	■	-	-	-	■	■	ms12-em
On-off valves, electrically actuated <b>MS-EE</b>	4	-	-	■	■	■	■	■	-	-	■	■	ms4-ee
	6	-	-	■	■	-	■	■	-	-	■	■	ms6-ee
	9	-	-	■	■	-	■	■	-	-	■	■	ms9-ee
	12	-	-	■	■	-	■	-	-	-	■	■	ms12-ee
Soft-start valves, pneumatically actuated <b>MS-DL</b>	4	-	-	■	■	■	■	■	-	-	-	■	ms4-dl
	6	-	-	■	■	-	■	■	-	-	-	■	ms6-dl
	9	-	-	-	-	-	-	-	-	-	-	-	-
	12	-	-	■	■	-	■	-	-	-	-	■	ms12-dl
Soft-start valves, electrically actuated <b>MS-DE</b>	4	-	-	■	■	■	■	■	-	-	-	■	ms4-de
	6	-	-	■	■	-	■	■	-	-	-	■	ms6-de
	9	-	-	-	-	-	-	-	-	-	-	-	-
	12	-	-	■	■	-	■	-	-	-	-	■	ms12-de

# Filters MS-LF/LFM/LFX, MS series

Product range overview – MS series service units



Type	Size	Pneumatic connection in housing	Connecting plate	Performance Level			Supply voltage					
				Category 1, 1-channel	Category 3, 2-channel	Category 4, 2-channel with self-monitoring	24 V DC, Sub-D, 9-pin	24 V DC, connection pattern to EN 175301	24 V DC, connection M12 to IEC61076-2-101	110/230 V AC, connection pattern to EN 175301	22 ... 31.6 V DC, connection M12, AS-i Safety at Work	
Code			AG.../AQ...	C	D	E	10V24	10V24/ V24	10V24P	V110/ V230	ASIS	
<b>Individual devices</b>												
Soft start and exhaust valves <b>MS-SV-C</b>		4	–									
		6	G1/2	G1/4, G3/8, G1/2, G3/4	■	–	–	–	■	■	–	–
		9	G3/4, G1	G1/2, G3/4, G1, G1 1/4, G1 1/2	■	–	–	–	■	■	■	–
		12	–									
Soft start and exhaust valves <b>MS-SV-D</b>		4	–									
		6	G1/2	G1/4, G3/8, G1/2, G3/4	–	■	–	–	■	■	–	–
		9	–									
		12	–									
Soft start and exhaust valves <b>MS-SV-E</b>		4	–									
		6	G1/2	G1/4, G3/8, G1/2, G3/4	–	–	■	■	–	–	–	■
		9	–									
		12	–									
Membrane air dryers <b>MS-LDM1</b>		4	G1/8, G1/4	G1/8, G1/4, G3/8	–	–	–	–	–	–	–	–
		6	G1/4, G3/8, G1/2	G1/4, G3/8, G1/2, G3/4	–	–	–	–	–	–	–	–
		9	–									
		12	–									
Branching modules <b>MS-FRM</b>		4	G1/8, G1/4	G1/8, G1/4, G3/8	–	–	–	–	–	–	–	–
		6	G1/4, G3/8, G1/2	G1/4, G3/8, G1/2, G3/4	–	–	–	–	–	–	–	–
		9	G3/4, G1	G1/2, G3/4, G1, G1 1/4, G1 1/2	–	–	–	–	–	–	–	–
		12	–	G1, G1 1/4, G1 1/2, G2	–	–	–	–	–	–	–	–
Distributor blocks <b>MS-FRM-FRZ</b>		4	G1/4	–	–	–	–	–	–	–	–	–
		6	G1/2	–	–	–	–	–	–	–	–	–
		9	–									
		12	–									
Flow sensors <b>SFAM</b>		4	–									
		6	G1/2	G1/2	–	–	–	–	–	–	–	–
		9	–	G1, G1 1/2	–	–	–	–	–	–	–	–
		12	–									

# Filters MS-LF/LFM/LFX, MS series

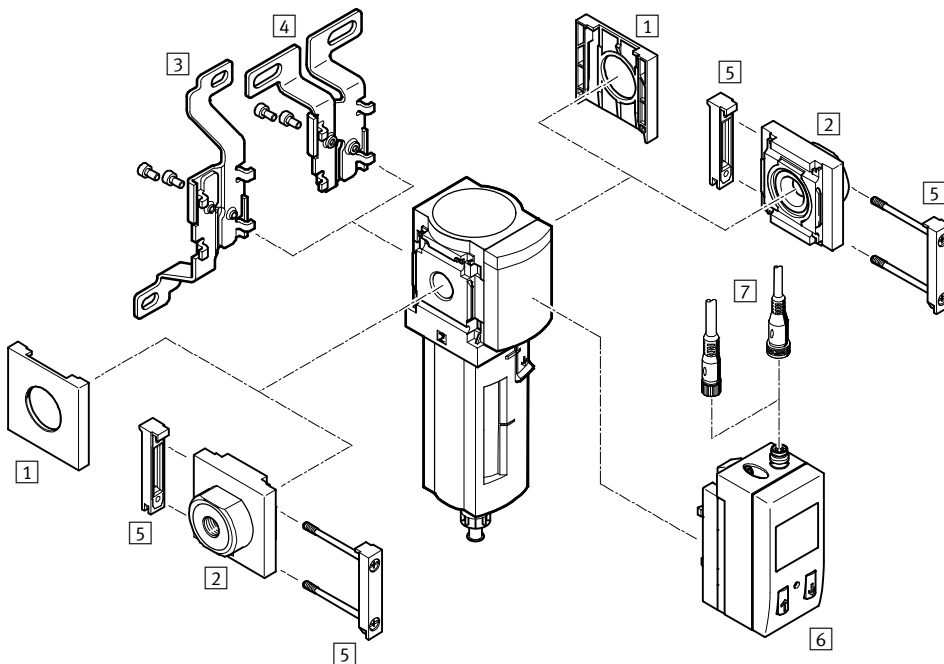
Product range overview – MS series service units



Type	Size	Bowl guard		Pressure indicator					Switch output		Options		→ Page/ Internet
		Plastic bowl with plastic bowl guard	Metal bowl	Cover plate (without pressure gauge)	Integrated MS pressure gauge	Adapter plate for EN pressure gauge G <sup>3</sup> / <sub>8</sub>	Adapter plate for EN pressure gauge G <sup>1</sup> / <sub>4</sub>	Pressure sensor	2x PNP or NPN, 1 analogue output 4 ... 20 mA	2x PNP or NPN, 1 analogue output 0 ... 10 V	Silencer	Flow direction from right to left	
Code		R	U	VS	AG	A8	A4	AD...	2SA	2SV	S	Z/R	
<b>Individual devices</b>													
Soft start and exhaust valves <b>MS-SV-C</b>	4	-	-	-	-	-	-	-	-	-	-	-	-
	6	-	-	■	■	-	■	■	-	-	■	■	ms6-sv
	9	-	-	■	■	-	■	■	-	-	■	■	ms9-sv
	12	-	-	-	-	-	-	-	-	-	-	-	-
Soft start and exhaust valves <b>MS-SV-D</b>	4	-	-	-	-	-	-	-	-	-	-	-	-
	6	-	-	■	■	-	■	■	-	-	■	■	ms6-sv
	9	-	-	-	-	-	-	-	-	-	-	-	-
Soft start and exhaust valves <b>MS-SV-E</b>	4	-	-	-	-	-	-	-	-	-	-	-	-
	6	-	-	■	■	-	■	■	-	-	■	■	ms6-sv
	9	-	-	-	-	-	-	-	-	-	-	-	-
Membrane air dryers <b>MS-LDM1</b>	4	-	■	-	-	-	-	-	-	-	-	■	ms4-ldm1
	6	-	■	-	-	-	-	-	-	-	-	■	ms6-ldm1
	9	-	-	-	-	-	-	-	-	-	-	-	-
	12	-	-	-	-	-	-	-	-	-	-	-	-
Branching modules <b>MS-FRM</b>	4	-	-	■	■	■	■	■	-	-	-	■	ms4-frm
	6	-	-	■	■	-	■	■	-	-	-	■	ms6-frm
	9	-	-	■	■	-	■	■	-	-	-	■	ms9-frm
	12	-	-	■	-	-	-	-	-	-	-	-	ms12-frm
Distributor blocks <b>MS-FRM-FRZ</b>	4	-	-	-	-	-	-	-	-	-	-	■	ms4-frm
	6	-	-	-	-	-	-	-	-	-	-	■	ms6-frm
	9	-	-	-	-	-	-	-	-	-	-	-	-
	12	-	-	-	-	-	-	-	-	-	-	-	-
Flow sensors <b>SFAM</b>	4	-	-	-	-	-	-	-	-	-	-	-	-
	6	-	-	-	-	-	-	-	■	■	-	■	sfam-62
	9	-	-	-	-	-	-	-	■	■	-	■	sfam-90
	12	-	-	-	-	-	-	-	-	-	-	-	-

# Filters MS4/MS6-LF/LFM/LFX, MS series

Peripherals overview



Note

Other accessories:

- Module connector for combination with sizes MS4/MS6 or size MS9 → Internet: amv, rmv, armv
- Adapter plate for mounting on profiles → Internet: ipm-80, ipm-40-80, ipm-80-80

Mounting attachments and accessories						
		Individual device		Combination		→ Page/Internet
		without connecting plate	with connecting plate	without connecting plate	with connecting plate	
1	Cover plate MS4/6-END	■	–	■	–	ms4-end, ms6-end
2	Connecting plate-SET MS4/6-AG...	–	■	–	■	ms4-ag, ms6-ag
	Connecting plate-SET MS4/6-AQ...	–	■	–	■	ms4-aq, ms6-aq
3	Mounting bracket MS4/6-WB	■	■	–	–	ms4-wb, ms6-wb
4	Mounting bracket MS4-WBM	■	■	–	–	ms4-wbm
5	Module connector MS4/6-MV	–	■	■	■	ms4-mv, ms6-mv
6	Filter pollution indicator DP/DN/DPI/DNI	■ for LFM	■ for LFM	■ for LFM	■ for LFM	32
7	Connecting cable NEBU-M8...-LE3/NEBU-M12...-LE4	■ for LFM	■ for LFM	■ for LFM	■ for LFM	nebu
–	Mounting bracket MS4/6-WP/WPB/WPE/WPM	–	■	■	■	ms4-wp, ms6-wp



# Filters MS4/MS6-LF/LFM/LFX, MS series

Type codes

MS 6 - LFM - 1/4 - A R M - - DA

### Series

MS	Standard service unit
----	-----------------------

### Size

4	Grid dimension 40 mm
6	Grid dimension 62 mm

### Service function

LF	Filter
LFM	Fine and micro filter
LFX	Activated carbon filter

### Pneumatic connection

MS4	
1/8	G1/8 thread
1/4	G1/4 thread
MS6	
1/4	G1/4 thread
3/8	G3/8 thread
1/2	G1/2 thread

### Grade of filtration (for LF and LFM only)

A	0.01 µm
B	1 µm
C	5 µm
E	40 µm

### Bowl guard

R	Plastic bowl guard
U	Integrated as metal bowl

### Condensate drain (for LF and LFM only)

M	Manual rotary
V	Fully automatic

### Flow rate (for LFM and LFX only)

	Standard
HF	High flow rate

### Filter change sensor (for LFM only)

	Without differential pressure indicator
DA	Differential pressure indicator

### Further variants can be ordered using the modular system

Filters LF	→ 18
Fine and micro filters LFM	→ 32
Activated carbon filters LFX	→ 38

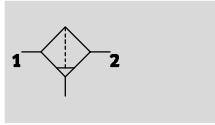
- Pneumatic connection
- Condensate drain
- Range of application (only for LFM and LFX)
- Filter pollution indicator (for LFM only)
- Type of mounting
- EU certification
- UL certification
- Flow direction

# Filters MS4/MS6-LF, MS series

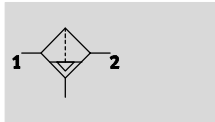
Technical data





FESTO

Function  
Condensate drain  
manual rotary



semi or fully automatic



-  - Flow rate  
1,000 ... 4,100 l/min
-  - Temperature range  
-10 ... +60 °C
-  - Operating pressure  
0 ... 20 bar
-  - [www.festo.com](http://www.festo.com)



The sintered filter with centrifugal separation removes contamination, rust and condensate from the compressed air. The filter cartridges are replaceable.

- Good particle and condensate separation
- High flow rate with minimal pressure drop
- Available with manual, semi-automatic, fully automatic or fully automatic, electrically actuated condensate drain
- Optional device variant EX4 for use in potentially explosive areas in zones 1, 2, 21 and 22
- Choice of filter cartridges: 5 µm or 40 µm
- New filter cartridges → 89

General technical data		
Size	MS4	MS6
Pneumatic connection 1, 2	Female thread	G $\frac{1}{8}$ or G $\frac{1}{4}$
	Connecting plate AG...	G $\frac{1}{8}$ , G $\frac{1}{4}$ or G $\frac{3}{8}$
	Connecting plate AQ...	NPT $\frac{1}{8}$ , NPT $\frac{1}{4}$ or NPT $\frac{3}{8}$
Design	Sintered filter with centrifugal separation	
Type of mounting	Via accessories	
	In-line installation	
Assembly position	Vertical $\pm 5^\circ$	
Grade of filtration [µm]	5	
	40	
Air purity class at the output	Compressed air in accordance with ISO 8573-1:2010 [6:8:4] (Grade of filtration 5 µm)	
	Compressed air in accordance with ISO 8573-1:2010 [7:8:4] (Grade of filtration 40 µm)	
Bowl guard	Plastic bowl guard	
	Integrated as metal bowl	
Condensate drain	Manual rotary	
	Semi-automatic	
	Fully automatic	
Max. condensate volume [cm <sup>3</sup> ]	19 (with plastic bowl guard)	Fully automatic, electrical
	25 (with metal bowl)	38

• • Note: This product conforms to ISO 1179-1 and to ISO 228-1

Standard nominal flow rate $q_{nN^1}$ [l/min]						
Size	MS4		MS6			
Pneumatic connection	G $\frac{1}{8}$	G $\frac{1}{4}$	G $\frac{1}{4}$	G $\frac{3}{8}$	G $\frac{1}{2}$	
Grade of filtration	5 µm	1,000	1,300	2,000	3,000	3,200
	40 µm	1,100	1,700	2,500	3,800	4,100

1) Measured at  $p_1 = 6$  bar and  $\Delta p = 1$  bar

• • 125 l/min must be available for the fully automatic condensate drain to close correctly.

# Filters MS4/MS6-LF, MS series

Technical data

Operating and environmental conditions							
Condensate drain	Manual rotary M		Semi-automatic H		Fully automatic V		Fully automatic, electrical E2/E3/E4
Size	MS4	MS6	MS4	MS6	MS4	MS6	MS6
Operating pressure [bar]	0 ... 14 (0 ... 10) <sup>1)</sup>	0 ... 20 (0 ... 10) <sup>1)</sup>	1.5 ... 12 (1.5 ... 10) <sup>1)</sup>	1.5 ... 12 (1.5 ... 10) <sup>1)</sup>	2 ... 12 (2 ... 10) <sup>1)</sup>	2 ... 12 (2 ... 10) <sup>1)</sup>	0.8 ... 16 (0.8 ... 10) <sup>1)</sup>
Operating medium	Compressed air in accordance with ISO 8573-1:2010 [-:9:-]		Compressed air in accordance with ISO 8573-1:2010 [-:9:-]		Compressed air in accordance with ISO 8573-1:2010 [7:9:-]		Compressed air in accordance with ISO 8573-1:2010 [-:9:-]
	Inert gases						
Ambient temperature [°C]	-10 ... +60		+5 ... +60		+5 ... +60		+1 ... +60
Temperature of medium [°C]	-10 ... +60		+5 ... +60		+5 ... +60		+1 ... +60
Storage temperature [°C]	-10 ... +60		-10 ... +60		-10 ... +60		+1 ... +60
Corrosion resistance class CRC <sup>2)</sup>	2						
UL certification	cULus recognized (OL)						

1) Value in brackets applies to MS4/MS6-LF with UL certification.

2) Corrosion resistance class CRC 2 to Festo standard FN 940070

Moderate corrosion stress. Indoor applications in which condensation may occur. External visible parts with primarily decorative requirements for the surface and which are in direct contact with the ambient atmosphere typical for industrial applications.

ATEX	
EU certification	EX4
ATEX category gas	II 2G
Ex-ignition protection type gas	c T6 X
ATEX category dust	II 2D
EX-ignition protection type dust	c 60 °C X
ATEX ambient temperature	-10 °C ≤ Ta ≤ +60 °C (manual rotary condensate drain M)
	+5 °C ≤ Ta ≤ +60 °C (semi-automatic/fully automatic condensate drain H/V)
CE mark (see declaration of conformity)	To EU Explosion Protection Directive (ATEX)

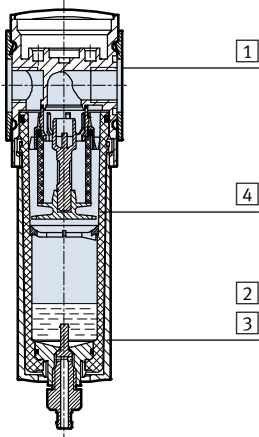
Weights [g]		
Size	MS4	MS6
Filter with plastic bowl guard R	189	600
Filter with metal bowl U	349	820
Filter with metal bowl U and fully automatic, electrically actuated condensate drain E2/E3/E4	-	1,800

# Filters MS4/MS6-LF, MS series

Technical data

## Materials

Sectional view



### Filters

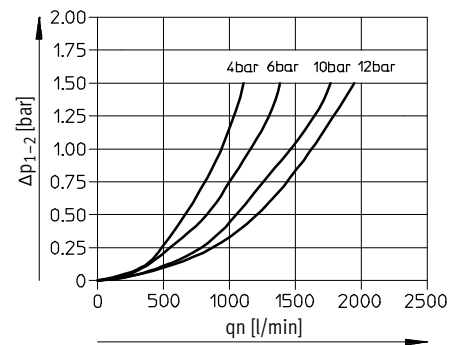
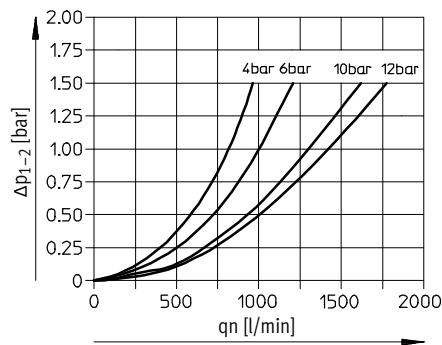
1	Body	Die-cast aluminium
2	Plastic bowl guard	PC
3	Metal bowl	Wrought aluminium alloy, die-cast aluminium
	Viewing window	PA
4	Filter element	PE
-	Seals	NBR
Note on materials		RoHS-compliant (not with variant E2, E3 or E4) Free of copper and PTFE

## Standard flow rate $q_n$ as a function of the differential pressure $\Delta p_{1-2}$

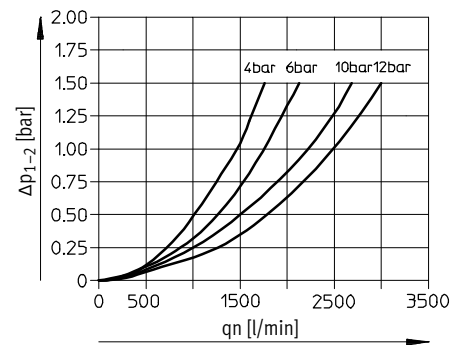
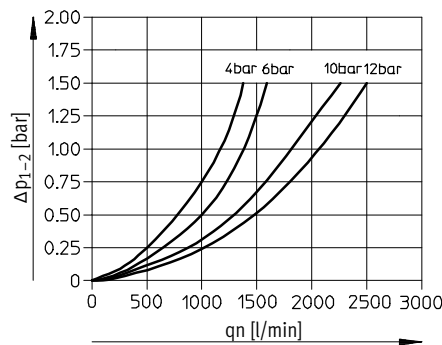
Grade of filtration 5  $\mu\text{m}$

Grade of filtration 40  $\mu\text{m}$

MS4-LF-1/8



MS4-LF-1/4



# Filters MS4/MS6-LF, MS series

Technical data

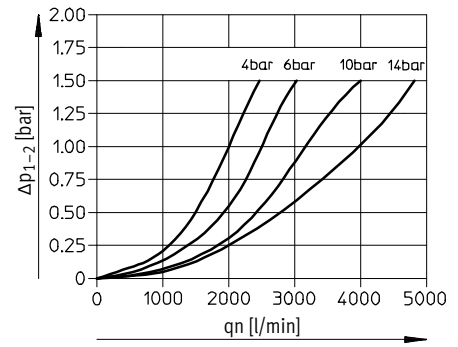
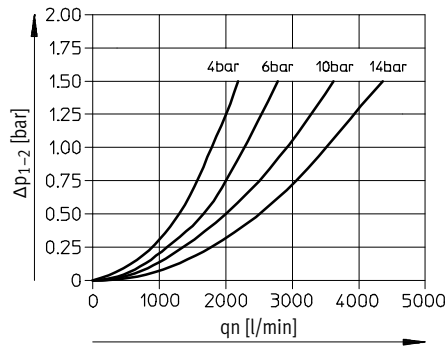


## Standard flow rate $q_n$ as a function of the differential pressure $\Delta p_{1-2}$

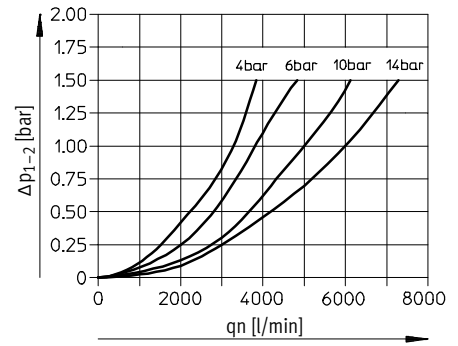
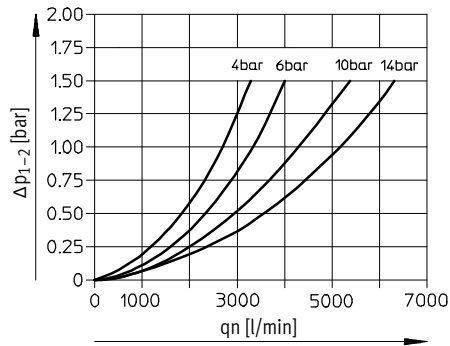
Grade of filtration 5  $\mu\text{m}$

Grade of filtration 40  $\mu\text{m}$

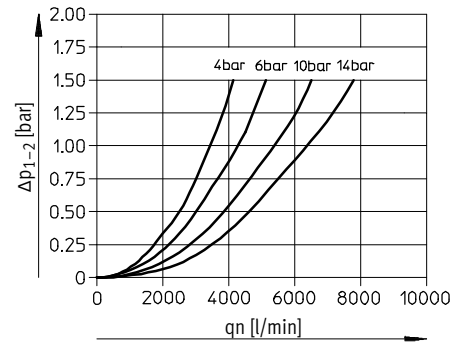
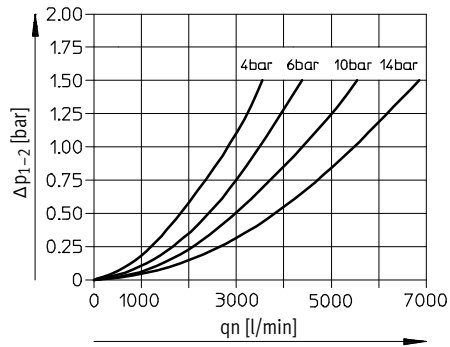
MS6-LF-1/4



MS6-LF-3/8



MS6-LF-1/2



# Filters MS4/MS6-LF, MS series

Technical data



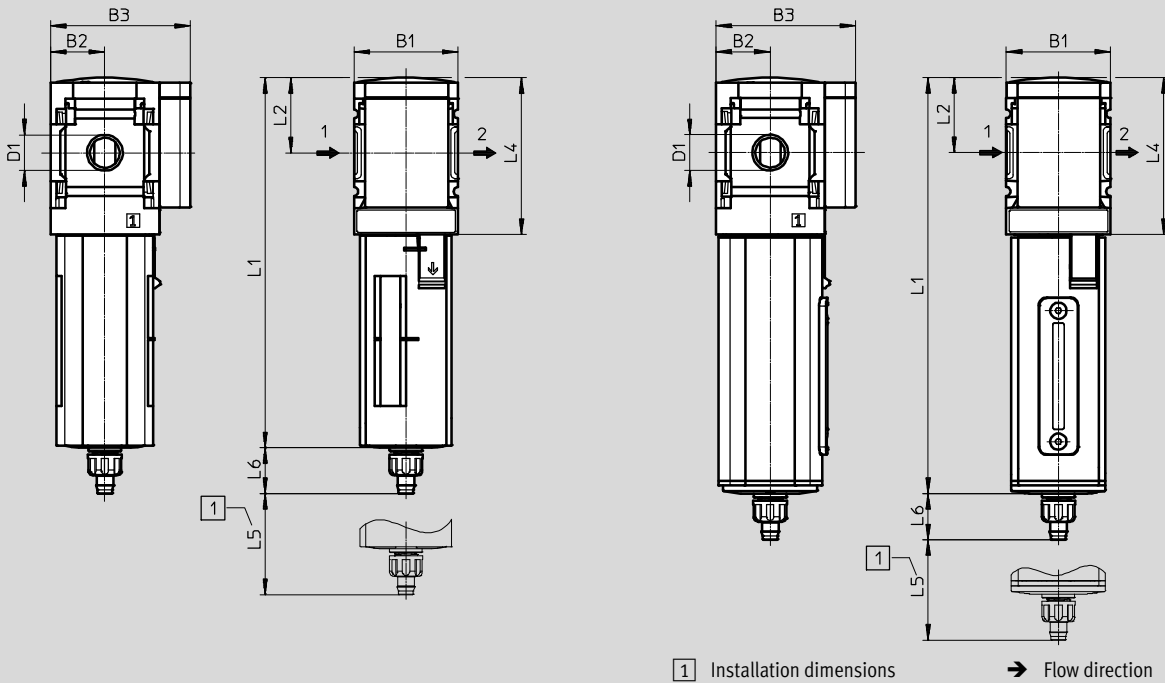
## Dimensions – Basic version MS4-LF

Download CAD data → [www.festo.com](http://www.festo.com)

Manual rotary condensate drain

With plastic bowl guard R

With metal bowl U



Type	B1	B2	B3	D1	L1		L2	L4	L5	L6
					Plastic bowl guard	Metal bowl				
MS4-LF-1/8	40	21	54	G1/8	142.8	159.4	29	60.5	75	17.7
MS4-LF-1/4				G1/4						

· || · Note: This product conforms to ISO 1179-1 and to ISO 228-1

# Filters MS4/MS6-LF, MS series

Technical data

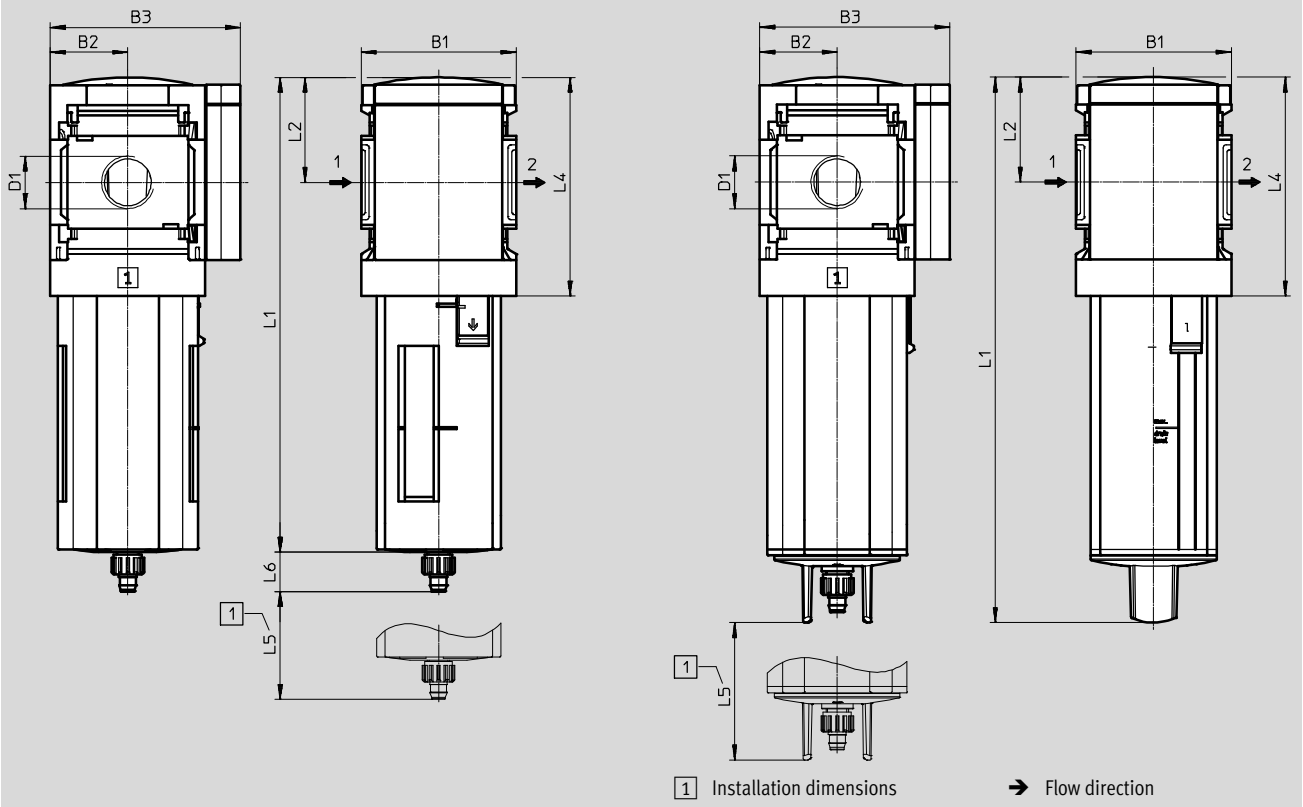
## Dimensions – Basic version MS6-LF

Download CAD data → [www.festo.com](http://www.festo.com)

Manual rotary condensate drain

With plastic bowl guard R

With metal bowl U



Type	B1	B2	B3	D1	L1		L2	L4	L5	L6
					Plastic bowl guard	Metal bowl				
MS6-LF-1/4	62	31	76	G1/4	190	218	42	87.5	74	15.8
MS6-LF-3/8				G3/8						
MS6-LF-1/2				G1/2						

Note: This product conforms to ISO 1179-1 and to ISO 228-1

# Filters MS4/MS6-LF, MS series

Technical data

Download CAD data → [www.festo.com](http://www.festo.com)

Manual rotary M		Semi-automatic H		Fully automatic V	
MS4-...-R/U-M	MS6-...-U-M	MS4-...-R/U-H	MS6-...-U-H	MS4-...-R/U-V	MS6-...-U-V
Barbed connector for plastic tubing PUN-(H)-8x1,25		Push-in connector for plastic tubing PUN-6/PAN-6		Barbed connector for plastic tubing PUN-(H)-8x1,25	

Type	D6 ∅	L6
Plastic bowl guard R		
MS4-LF-...-M	5.6	17.7
MS6-LF-...-M		15.8
Metal bowl U		
MS4-LF-...-M	5.6	17.7
MS6-LF-...-M		-

Type	D6 ∅	L6
Plastic bowl guard R		
MS4-LF-...-H	6.2	22.1
MS6-LF-...-H		20.4
Metal bowl U		
MS4-LF-...-H	6.2	22.1
MS6-LF-...-H		-

Type	D6 ∅	L6
Plastic bowl guard R		
MS4-LF-...-V	5.6	20.4
MS6-LF-...-V		18.5
Metal bowl U		
MS4-LF-...-V	5.6	20.4
MS6-LF-...-V		-

Technical data → Internet: [pwea](http://pwea)

Condensate drain PWEA:

- 2 Electrical connection: Screw terminal PG9
- 3 Connection 360° rotatable for plastic tubing PUN-H-12x2

Type	B6	B7	B8	B9	L12
MS6-LF-...-E2/E3/E4	72	140	108	15	174.5



# Filters MS4/MS6-LF, MS series

Technical data

Ordering data						
Size	Condensate drain	Connection	Grade of filtration 5 µm		Grade of filtration 40 µm	
			Part No.	Type	Part No.	Type
Plastic bowl guard						
MS4	manual rotary	G <sup>1</sup> / <sub>8</sub>	529403	MS4-LF- <sup>1</sup> / <sub>8</sub> -CRM	529407	MS4-LF- <sup>1</sup> / <sub>8</sub> -ERM
		G <sup>1</sup> / <sub>4</sub>	529395	MS4-LF- <sup>1</sup> / <sub>4</sub> -CRM	529399	MS4-LF- <sup>1</sup> / <sub>4</sub> -ERM
	fully automatic	G <sup>1</sup> / <sub>8</sub>	529405	MS4-LF- <sup>1</sup> / <sub>8</sub> -CRV	-	-
		G <sup>1</sup> / <sub>4</sub>	529397	MS4-LF- <sup>1</sup> / <sub>4</sub> -CRV	529401	MS4-LF- <sup>1</sup> / <sub>4</sub> -ERV
MS6	manual rotary	G <sup>1</sup> / <sub>4</sub>	529623	MS6-LF- <sup>1</sup> / <sub>4</sub> -CRM	529631	MS6-LF- <sup>1</sup> / <sub>4</sub> -ERM
		G <sup>3</sup> / <sub>8</sub>	529639	MS6-LF- <sup>3</sup> / <sub>8</sub> -CRM	529647	MS6-LF- <sup>3</sup> / <sub>8</sub> -ERM
		G <sup>1</sup> / <sub>2</sub>	529607	MS6-LF- <sup>1</sup> / <sub>2</sub> -CRM	529615	MS6-LF- <sup>1</sup> / <sub>2</sub> -ERM
	fully automatic	G <sup>1</sup> / <sub>4</sub>	529625	MS6-LF- <sup>1</sup> / <sub>4</sub> -CRV	-	-
		G <sup>3</sup> / <sub>8</sub>	529641	MS6-LF- <sup>3</sup> / <sub>8</sub> -CRV	529649	MS6-LF- <sup>3</sup> / <sub>8</sub> -ERV
		G <sup>1</sup> / <sub>2</sub>	529609	MS6-LF- <sup>1</sup> / <sub>2</sub> -CRV	529617	MS6-LF- <sup>1</sup> / <sub>2</sub> -ERV
Integrated as metal bowl						
MS4	manual rotary	G <sup>1</sup> / <sub>4</sub>	535654	MS4-LF- <sup>1</sup> / <sub>4</sub> -CUM	535660	MS4-LF- <sup>1</sup> / <sub>4</sub> -EUM
	fully automatic	G <sup>1</sup> / <sub>4</sub>	-	-	535658	MS4-LF- <sup>1</sup> / <sub>4</sub> -EUV
MS6	manual rotary	G <sup>1</sup> / <sub>2</sub>	529611	MS6-LF- <sup>1</sup> / <sub>2</sub> -CUM	529619	MS6-LF- <sup>1</sup> / <sub>2</sub> -EUM
	fully automatic	G <sup>1</sup> / <sub>2</sub>	529613	MS6-LF- <sup>1</sup> / <sub>2</sub> -CUV	529621	MS6-LF- <sup>1</sup> / <sub>2</sub> -EUV

# Filters MS4/MS6-LF, MS series

Ordering data – Modular products

Ordering table						
Grid dimension	[mm]	40	62	Condi- tions	Code	Enter code
<b>M</b>	Module No.	<b>527695</b>	<b>527668</b>			
	Series	Standard			<b>MS</b>	MS
	Size	4	6		...	
	Function	Filters			<b>-LF</b>	-LF
	Pneumatic connection	Female thread G $\frac{1}{8}$	–	<input type="checkbox"/>	<b>-<math>\frac{1}{8}</math></b>	
		Female thread G $\frac{1}{4}$	Female thread G $\frac{1}{4}$	<input type="checkbox"/>	<b>-<math>\frac{1}{4}</math></b>	
		–	Female thread G $\frac{3}{8}$	<input type="checkbox"/>	<b>-<math>\frac{3}{8}</math></b>	
		–	Female thread G $\frac{1}{2}$	<input type="checkbox"/>	<b>-<math>\frac{1}{2}</math></b>	
		Connecting plate G $\frac{1}{8}$	–		<b>-AGA</b>	
		Connecting plate G $\frac{1}{4}$	Connecting plate G $\frac{1}{4}$		<b>-AGB</b>	
		Connecting plate G $\frac{3}{8}$	Connecting plate G $\frac{3}{8}$		<b>-AGC</b>	
		–	Connecting plate G $\frac{1}{2}$		<b>-AGD</b>	
		–	Connecting plate G $\frac{3}{4}$		<b>-AGE</b>	
		Connecting plate NPT $\frac{1}{8}$	–	<input type="checkbox"/>	<b>-AQK</b>	
		Connecting plate NPT $\frac{1}{4}$	Connecting plate NPT $\frac{1}{4}$	<input type="checkbox"/>	<b>-AQN</b>	
		Connecting plate NPT $\frac{3}{8}$	Connecting plate NPT $\frac{3}{8}$	<input type="checkbox"/>	<b>-AQP</b>	
		–	Connecting plate NPT $\frac{1}{2}$	<input type="checkbox"/>	<b>-AQR</b>	
		–	Connecting plate NPT $\frac{3}{4}$	<input type="checkbox"/>	<b>-AQS</b>	
	Grade of filtration	40 $\mu$ m			<b>-E</b>	
		5 $\mu$ m			<b>-C</b>	
	Bowl	Plastic bowl with plastic bowl guard			<b>-R</b>	
		Metal bowl			<b>-U</b>	

$\frac{1}{8}$ ,  $\frac{1}{4}$ ,  $\frac{3}{8}$ ,  $\frac{1}{2}$ , AQK, AQN, AQP, AQR, AQS, E2, E3, E4, WPM  
Not with EU certification EX4

- Mandatory data
- Options

Transfer order code

**MS**  - **LF**  -  -  -

# Filters MS4/MS6-LF, MS series

Ordering data – Modular products

Ordering table						
Grid dimension	[mm]	40	62	Condi- tions	Code	Enter code
<div style="border: 1px solid black; padding: 2px;">M</div>	Condensate drain	Manual			-M	
		Semi-automatic (P1 max. 12 bar)			-H	
		Fully automatic (P1 max. 12 bar)			-V	
		-	External fully automatic condensate drain, electrical, 110 V AC, terminals	1 2	-E2	
		-	External fully automatic condensate drain, electrical, 230 V AC, terminals	1 2	-E3	
		-	External fully automatic condensate drain, electrical, 24 V DC, terminals	1 2	-E4	
<div style="border: 1px solid black; padding: 2px;">O</div>	Type of mounting	Mounting bracket standard design		3	-WP	
		Mounting bracket for attaching the service units		1 3	-WPM	
		Mounting bracket centrally at rear (wall mounting top and bottom), connecting plates not required			-WB	
		Mounting bracket centrally at rear (wall mounting top), connecting plates not required		-	-WBM	
		EU certification		II 2GD to EU Explosion Protection Directive (ATEX)		
UL certification		cULus, ordinary location for Canada and USA			-UL1	
Flow direction		Flow direction from right to left			-Z	

2 E2, E3, E4 Only with metal bowl U.

3 WP, WPM Only with connecting plate AGA, AGB, AGC, AGD, AGE, AQK, AQN, AQP, AQR or AQS.

M Mandatory data

O Options

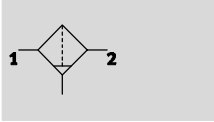
Transfer order code

-  -  -  -  -

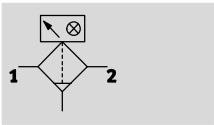
# Fine and micro filters MS4/MS6-LFM, MS series

Technical data

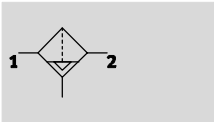
Function  
Condensate drain  
manual rotary  
without differential pressure indicator



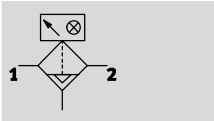
with differential pressure indicator or  
filter pollution indicator







Condensate drain  
semi or fully automatic  
without differential pressure indicator



with differential pressure indicator or  
filter pollution indicator




-  - Flow rate  
54 ... 3,000 l/min
-  - Temperature range  
-10 ... +60 °C
-  - Operating pressure  
0 ... 20 bar
-  - [www.festo.com](http://www.festo.com)



- High-performance filter for exceptionally clean compressed air
- Air quality to ISO 8573-1:2010
- Available with manual, semi-automatic, fully automatic or fully automatic, electrically actuated condensate drain
- Available with differential pressure indicator for display of filter pollution
- Available with electronic filter pollution indicator
- Optionally with filter cartridge for low flow rates, suitable for sealing air and cleaning air
- Optional device variant EX4 for use in potentially explosive areas in zones 1, 2, 21 and 22
- Choice of filter cartridges: 0.01 µm or 1 µm
- New filter cartridges → 89

General technical data		
Size	MS4	MS6
Pneumatic connection 1, 2	Female thread	G1/8 or G1/4
	Connecting plate AG...	G1/8, G1/4 or G3/8
	Connecting plate AQ...	NPT1/8, NPT1/4 or NPT3/8
Constructional design	Fibre filter	
Type of mounting	Via accessories	
	In-line installation	
Mounting position	Vertical ±5°	
Grade of filtration [µm]	0.01 (micro filter MS-LFM-A)	
	1 (fine filter MS-LFM-B)	
Air purity class at the output	Compressed air in accordance with ISO 8573-1:2010 [1:7:2] (Grade of filtration 0.01µm, micro filter MS-LFM-A)	
	Compressed air in accordance with ISO 8573-1:2010 [5:7:3] (Grade of filtration 1µm, fine filter MS-LFM-B)	
Filter efficiency [%]	99.9999 (Grade of filtration 0.01µm, micro filter MS-LFM-A)	
	99.99 (Grade of filtration 1µm, fine filter MS-LFM-B)	
Bowl guard	Plastic bowl guard	
	Integrated as metal bowl	
Condensate drain	Manual rotary	
	Semi-automatic	
	Fully automatic	
	-	Fully automatic, electrically actuated
Differential pressure indication <sup>1)</sup>	Visual display	
	With filter pollution indicator based on differential pressure	

1) Recommended max. differential pressure for changing the filter cartridge is Δp<sub>1-2</sub> = 0.35 bar; for the micro filter MS6-LFM-A with range of application HP Δp<sub>1-2</sub> = 0.5 bar  
 -  - Note: This product conforms to ISO 1179-1 and to ISO 228-1

# Fine and micro filters MS4/MS6-LFM, MS series

Technical data

General technical data		
Size	MS4	MS6
Residual oil content [mg/m <sup>3</sup> ]	≤0.01 (micro filter MS-LFM-A) ≤0.5 (fine filter MS-LFM-B)	
Max. condensate volume [cm <sup>3</sup> ]	19 (with plastic bowl guard) 25 (with metal shell)	38

Standard flow rate q <sub>n</sub> <sup>1)</sup> [l/min]				
Size	MS4	MS6	Range of application HP, suitable for sealing air and cleaning air	
Variant	Standard	Standard	High flow rate HF	
Micro filter MS-LFM-A				
Max. standard flow rate for air purity class q <sub>n max</sub>	360	900	2,500	400
Min. standard flow rate for air purity class q <sub>n min</sub>	54	135	150	60
Fine filter MS-LFM-B				
Max. standard flow rate for air purity class q <sub>n max</sub>	360	950	3,000	500
Min. standard flow rate for air purity class q <sub>n min</sub>	54	140	188	60

1) Measured at p<sub>1</sub> = 6 bar.

- | - 125 l/min must be available for the fully automatic condensate drain to close correctly.

Technical data – Filter pollution indicator				
Filter pollution indicator	DP	DN	DPI	DNI
Pressure measuring range [bar]	0 ... +1			
Measured variable	Differential pressure; percentage value for filter pollution			
Switch output	PNP	NPN	PNP	NPN
Analogue output [mA]	–		4 ... 20	
Operating voltage range [V DC]	15 ... 30			
Max. output current [mA]	150			
Protection class	IP65			
CE mark (see declaration of conformity)	In accordance with EU EMC directive			
	In accordance with EU Low Voltage Directive			

Operating and environmental conditions							
Condensate drain	Manual rotary M		Semi-automatic H		Fully automatic V		Fully automatic, electrical E2/E3/E4
	MS4	MS6	MS4	MS6	MS4	MS6	MS6
Size	MS4	MS6	MS4	MS6	MS4	MS6	MS6
Operating pressure [bar]	0 ... 14 (0 ... 10) <sup>1)</sup>	0 ... 20 (0 ... 10) <sup>1)</sup>	1.5 ... 12 (1.5 ... 10) <sup>1)</sup>	1.5 ... 12 (1.5 ... 10) <sup>1)</sup>	2 ... 12 (2 ... 10) <sup>1)</sup>	2 ... 12 (2 ... 10) <sup>1)</sup>	0.8 ... 16 (0.8 ... 10) <sup>1)</sup>
Operating medium	Compressed air in accordance with ISO 8573-1:2010 [6:8:4] <sup>2)</sup>						
	Inert gases						
Ambient temperature [°C]	–10 ... +60 (0 ... +50) <sup>3)</sup>		+5 ... +60 (+5 ... +50) <sup>3)</sup>		+5 ... +60 (+5 ... +50) <sup>3)</sup>		+1 ... +60 (+1 ... +50) <sup>3)</sup>
Temperature of medium [°C]	–10 ... +60 (0 ... +50) <sup>3)</sup>		+5 ... +60 (+5 ... +50) <sup>3)</sup>		+5 ... +60 (+5 ... +50) <sup>3)</sup>		+1 ... +60 (+1 ... +50) <sup>3)</sup>
Storage temperature [°C]	–10 ... +60 (0 ... +50) <sup>3)</sup>		–10 ... +60 (0 ... +50) <sup>3)</sup>		–10 ... +60 (0 ... +50) <sup>3)</sup>		+1 ... +60 (+1 ... +50) <sup>3)</sup>
Corrosion resistance class CRC <sup>4)</sup>	2						
UL certification	cULus recognized (OL)						

1) Value in brackets applies to MS4/MS6-LFM with UL certification or with filter pollution indicator DP/DN/DPI/DPN.

2) It is recommended to prefilter the compressed air for the micro filter MS-LFM-A using a fine filter MS-LFM-B (grade of filtration 1 µm).

3) Value in brackets applies to MS4/MS6-LFM with filter pollution indicator DP/DN/DPI/DPN.

4) Corrosion resistance class CRC 2 to Festo standard FN 940070

Moderate corrosion stress. Indoor applications in which condensation may occur. External visible parts with primarily decorative requirements for the surface and which are in direct contact with the ambient atmosphere typical for industrial applications.

# Fine and micro filters MS4/MS6-LFM, MS series

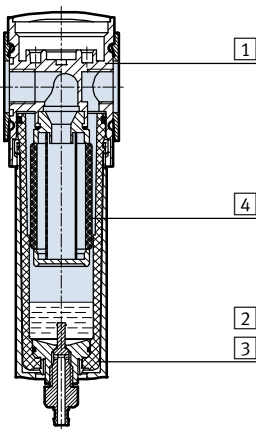
Technical data

ATEX	
EU certification	EX4
ATEX category gas	II 2G
Ex-ignition protection type gas	c T6 X
ATEX category dust	II 2D
EX-ignition protection type dust	c 60 °C X
ATEX ambient temperature	-10 °C ≤ Ta ≤ +60 °C (manual rotary condensate drain M)
	+5 °C ≤ Ta ≤ +60 °C (semi-automatic/fully automatic condensate drain H/V)
CE mark (see declaration of conformity)	To EU Explosion Protection Directive (ATEX)

Weight [g]			
Size	MS4	MS6	
Variant	Standard	Standard/Range of application HP	High flow rate HF
Fine and micro filter with plastic bowl guard R	190	600	1,280
Fine and micro filter with metal bowl U	350	820	1,500
Fine and micro filter with metal bowl guard U and fully automatic, electrically actuated condensate drain E2/E3/E4	–	1,800	2,180
Filter pollution indicator	80	100	100

## Materials

Sectional view



Fine and micro filters	
1 Housing	Die-cast aluminium
2 Plastic bowl guard	PC
3 Metal bowl	Wrought aluminium alloy, die-cast aluminium
Viewing window	PA
4 Filter	Borosilicate fibre
– Seals	NBR
Note on materials	RoHS-compliant (not with variant E2, E3 or E4) Free of copper and PTFE

Filter pollution indicator	
Housing	PA POM
Adapter	PA
Display	PC
Seals	NBR
Note on materials	Free of copper and PTFE

# Fine and micro filters MS4/MS6-LFM, MS series

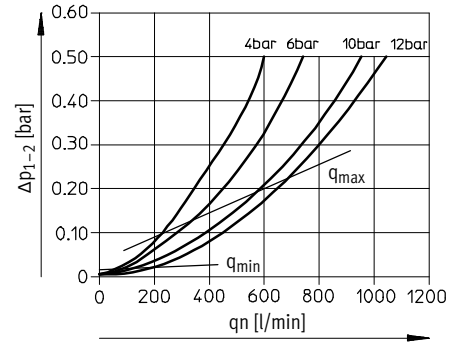
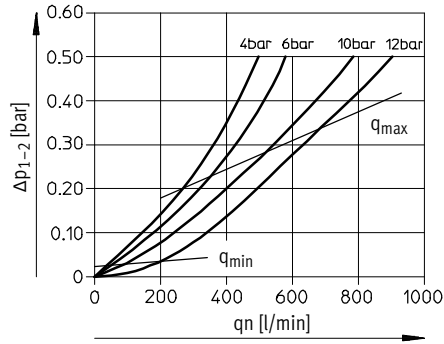
Technical data

## Standard flow rate $q_n$ as a function of the differential pressure $\Delta p_{1-2}$

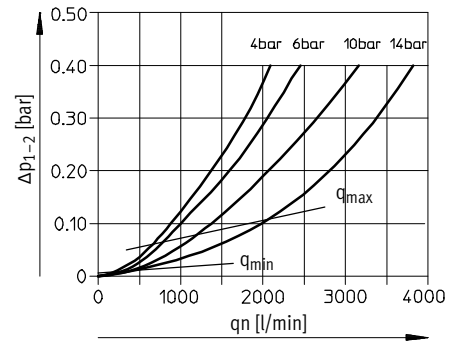
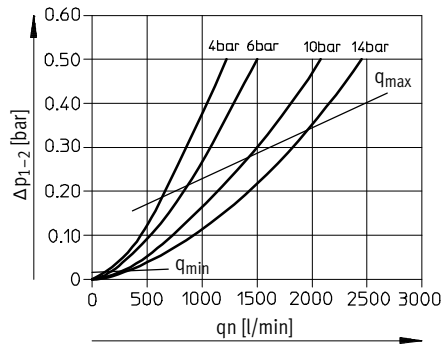
Grade of filtration 0.01  $\mu\text{m}$

Grade of filtration 1  $\mu\text{m}$

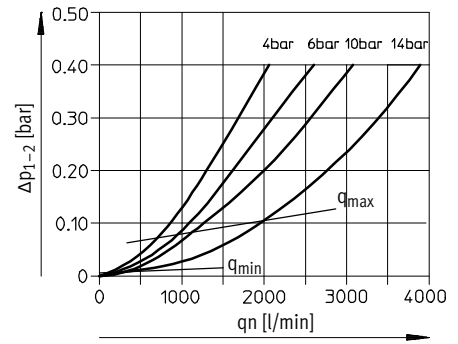
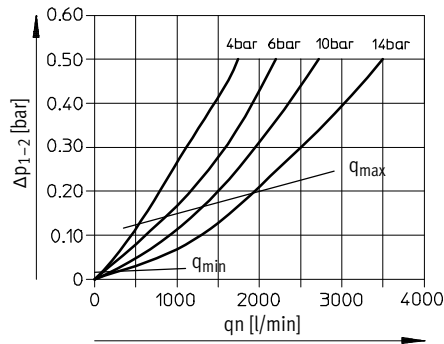
MS4-LFM-1/8 and MS4-LFM-1/4



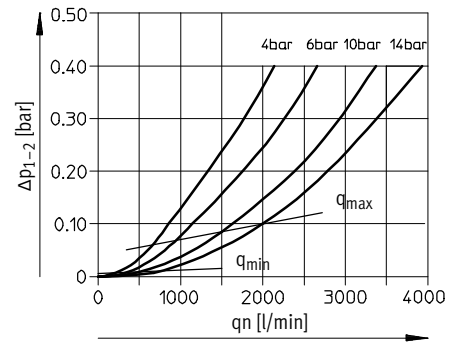
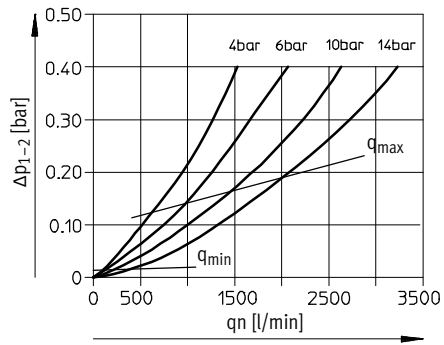
MS6-LFM-1/4



MS6-LFM-3/8



MS6-LFM-1/2



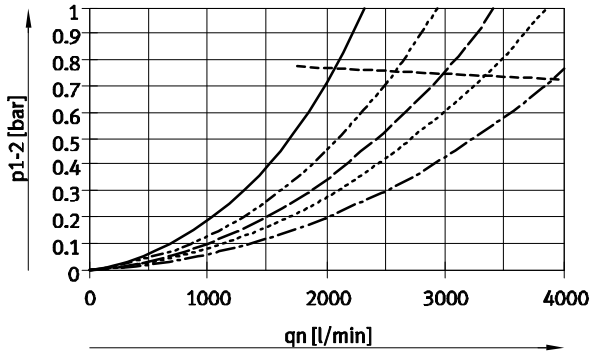
# Fine and micro filters MS4/MS6-LFM, MS series

Technical data

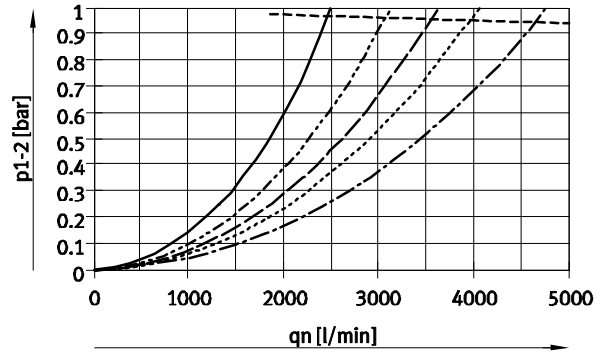


## Standard flow rate $q_n$ as a function of the differential pressure $p_{1-2}$

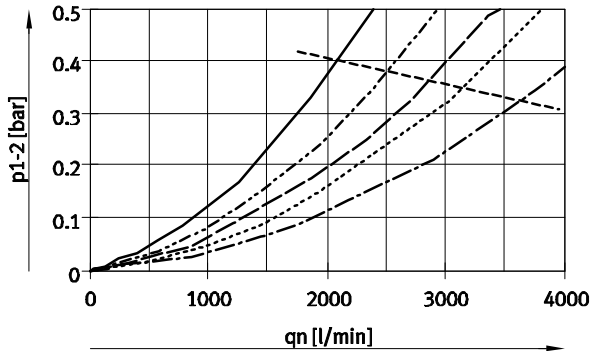
MS6-LFM-1/4-...-HF, Grade of filtration 0.01  $\mu\text{m}$



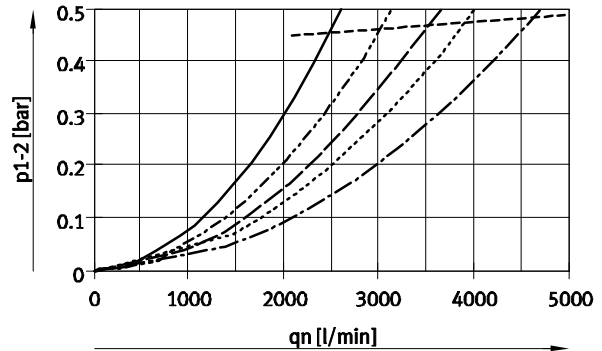
MS6-LFM-1/4-...-HF, Grade of filtration 1  $\mu\text{m}$



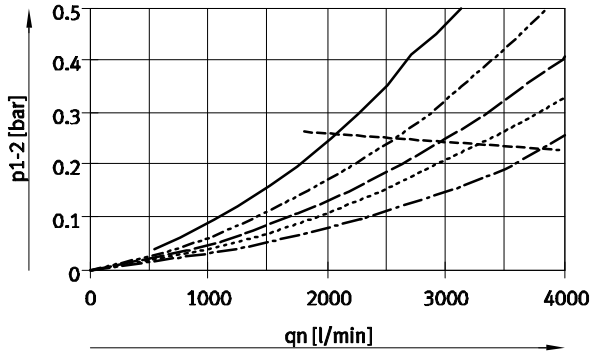
MS6-LFM-3/8-...-HF, Grade of filtration 0.01  $\mu\text{m}$



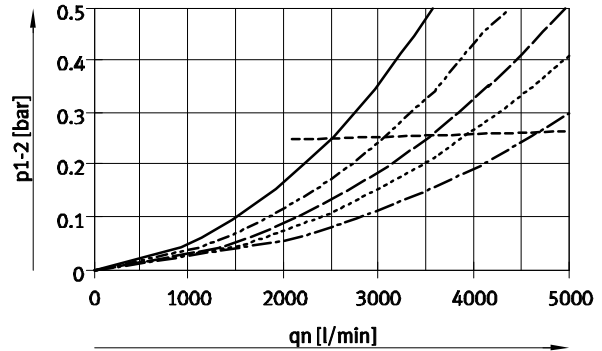
MS6-LFM-3/8-...-HF, Grade of filtration 1  $\mu\text{m}$



MS6-LFM-1/2-...-HF, Grade of filtration 0.01  $\mu\text{m}$



MS6-LFM-1/2-...-HF, Grade of filtration 1  $\mu\text{m}$



- p1: 4 bar ( $q_{\text{min}}$ : 103 l/min)
- - - p1: 6 bar ( $q_{\text{min}}$ : 125 l/min)
- - - p1: 8 bar
- - - p1: 10 bar ( $q_{\text{min}}$ : 162 l/min)
- - - p1: 14 bar ( $q_{\text{min}}$ : 192 l/min)
- - -  $q_{\text{max}}$

- p1: 4 bar ( $q_{\text{min}}$ : 124 l/min)
- - - p1: 6 bar ( $q_{\text{min}}$ : 150 l/min)
- - - p1: 8 bar
- - - p1: 10 bar ( $q_{\text{min}}$ : 194 l/min)
- - - p1: 14 bar ( $q_{\text{min}}$ : 230 l/min)
- - -  $q_{\text{max}}$



# Fine and micro filters MS4/MS6-LFM, MS series

Technical data

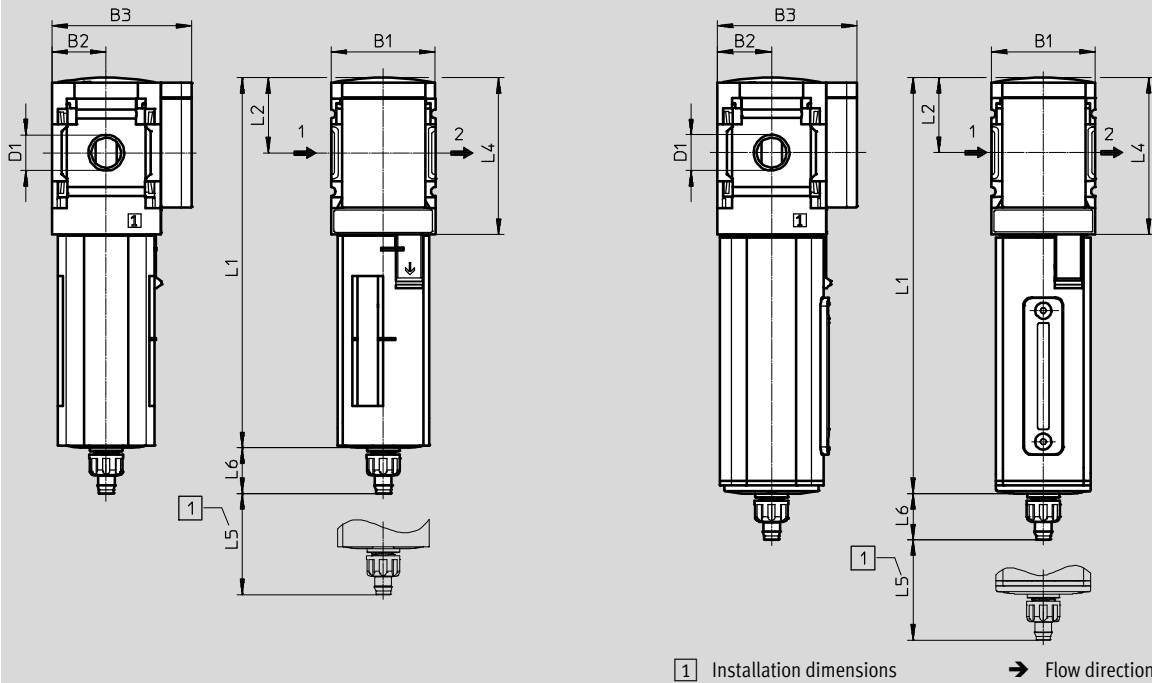
## Dimensions – Basic version MS4-LFM

Download CAD data → [www.festo.com](http://www.festo.com)

Manual rotary condensate drain

With plastic bowl guard R

With metal bowl U



1 Installation dimensions → Flow direction

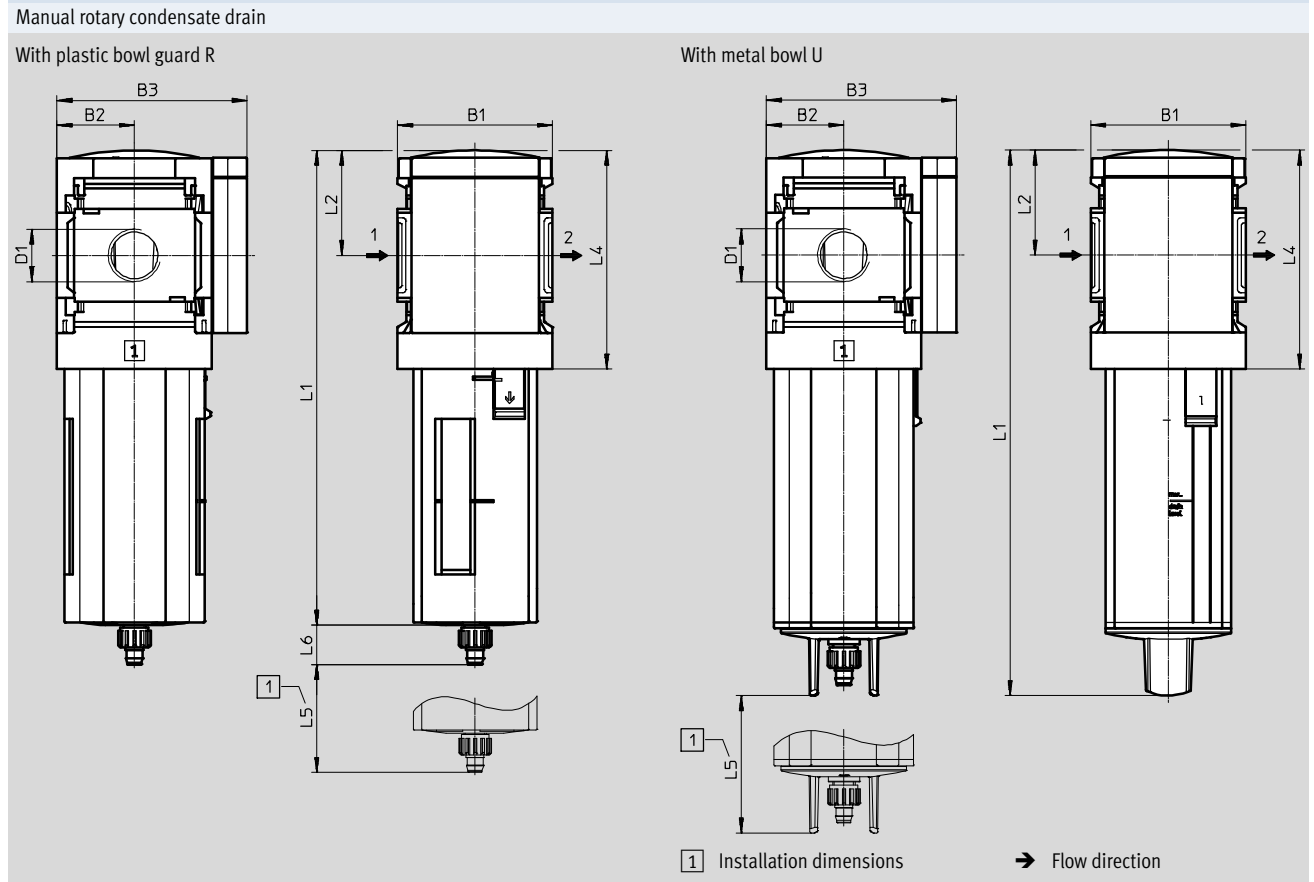
Type	B1	B2	B3	D1	L1		L2	L4	L5	L6
					Plastic bowl guard	Metal bowl				
MS4-LFM-1/8	40	21	54	G1/8	141.6	160	29	60.5	25	17.7
MS4-LFM-1/4				G1/4						

• • Note: This product conforms to ISO 1179-1 and to ISO 228-1

# Fine and micro filters MS4/MS6-LFM, MS series

Technical data

Dimensions – Basic version MS6-LFM Download CAD data → [www.festo.com](http://www.festo.com)



Type	B1	B2	B3	D1	L1		L2	L4	L5	L6
					Plastic bowl guard	Metal bowl				
MS6-LFM-1/4	62	31	76	G1/4	193	221	42	88	75	15.8
MS6-LFM-3/8				G3/8						
MS6-LFM-1/2				G1/2						

Note: This product conforms to ISO 1179-1 and to ISO 228-1

# Fine and micro filters MS4/MS6-LFM, MS series

Technical data

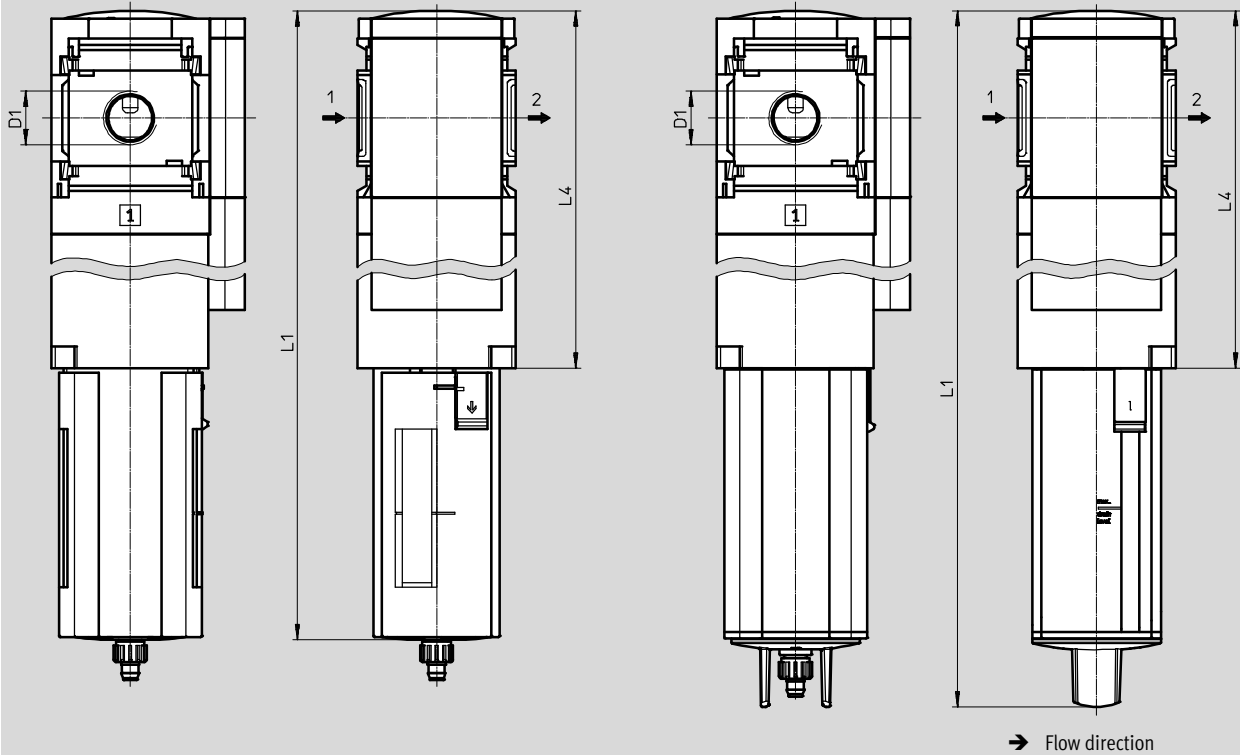
**Dimensions – High flow rate HF**

Download CAD data → [www.festo.com](http://www.festo.com)

Manual rotary condensate drain

With plastic bowl guard R

With metal bowl U



Type	D1	L1		L4
		Plastic bowl guard	Metal bowl	
MS6-LFM-1/4-...-HF	G1/4	313	340	207
MS6-LFM-3/8-...-HF	G3/8			
MS6-LFM-1/2-...-HF	G1/2			

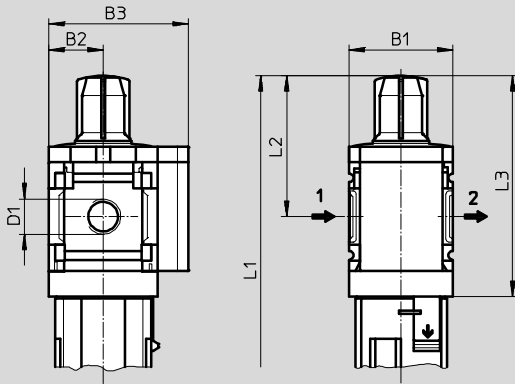
· || · Note: This product conforms to ISO 1179-1 and to ISO 228-1

# Fine and micro filters MS4/MS6-LFM, MS series

Technical data

## Dimensions – Differential pressure indicator DA

Download CAD data → [www.festo.com](http://www.festo.com)



→ Flow direction

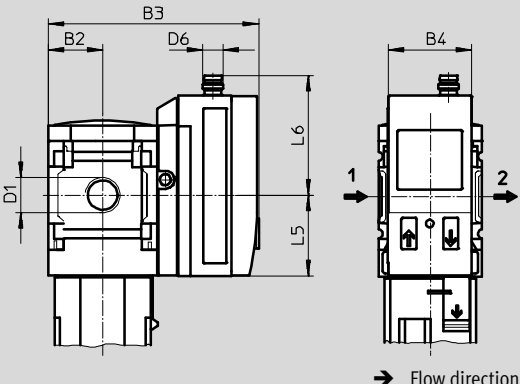
Type	B1	B2	B3	D1	L1		L2	L3
					Plastic bowl guard	Metal bowl		
MS4-LFM-1/8-...-DA	40	21	54	G1/8	168.4	186.8	55.8	87.3
MS4-LFM-1/4-...-DA				G1/4				
MS6-LFM-1/4-...-DA	62	31	76	G1/4	229	257	78	124
MS6-LFM-3/8-...-DA				G3/8				
MS6-LFM-1/2-...-DA				G1/2				
MS6-LFM-1/4-...-HF-DA	62	31	76	G1/4	349	376	78	124
MS6-LFM-3/8-...-HF-DA				G3/8				
MS6-LFM-1/2-...-HF-DA				G1/2				

• | - Note: This product conforms to ISO 1179-1 and to ISO 228-1

# Fine and micro filters MS4/MS6-LFM, MS series

Technical data

**Dimensions – Filter pollution indicator DP/DN/DPI/DNI** Download CAD data → [www.festo.com](http://www.festo.com)



**Variant DP:**  
Filter pollution indicator with 3-pin  
M8x1 plug, 1 switch output PNP

**Variant DN:**  
Filter pollution indicator with 3-pin  
M8x1 plug, 1 switch output NPN

**Variant DPI:**  
Filter pollution indicator with 4-pin  
M12x1 plug, 1 switch output PNP  
and 4 ... 20 mA analogue

**Variant DNI:**  
Filter pollution indicator with 4-pin  
M12x1 plug, 1 switch output NPN  
and 4 ... 20 mA analogue

Type	B2	B3	B4	D1	D6	L5	L6
MS4-LFM-1/8-...-DP/DN	21	82.6	32.3	G1/8	M8x1	35.1	46.7
MS4-LFM-1/4-...-DP/DN				G1/4			
MS4-LFM-1/8-...-DPI/DNI	21	82.6	32.3	G1/8	M12x1	35.1	55.8
MS4-LFM-1/4-...-DPI/DNI				G1/4			
MS6-LFM-1/4-...-DP/DN	31	103	32.3	G1/4	M8x1	35.1	46.7
MS6-LFM-3/8-...-DP/DN				G3/8			
MS6-LFM-1/2-...-DP/DN				G1/2			
MS6-LFM-1/4-...-DPI/DNI	31	103	32.3	G1/4	M12x1	35.1	55.8
MS6-LFM-3/8-...-DPI/DNI				G3/8			
MS6-LFM-1/2-...-DPI/DNI				G1/2			

• - Note: This product conforms to ISO 1179-1 and to ISO 228-1

# Fine and micro filters MS4/MS6-LFM, MS series

Technical data



Dimensions – Condensate drain Download CAD data → [www.festo.com](http://www.festo.com)

**Manual rotary M**

MS4-...-R/U-M  
MS6-...-R-M

MS6-...-U-M

Barbed connector for plastic tubing PUN-(H)-8x1,25

**Semi-automatic H**

MS4-...-R/U-H  
MS6-...-R-H

MS6-...-U-H

Push-in connector for plastic tubing PUN-6/PAN-6

**Fully automatic V**

MS4-...-U-V  
MS6-...-R-V

MS6-...-U-V

Barbed connector for plastic tubing PUN-(H)-8x1,25

Type	D6 ∅	L6
<b>Plastic bowl guard R</b>		
MS4-LFM-...-M	5.6	17.7
MS6-LFM-...-M		15.8
<b>Metal bowl U</b>		
MS4-LFM-...-M	5.6	17.7
MS6-LFM-...-M		–

Type	D6 ∅	L6
<b>Plastic bowl guard R</b>		
MS4-LFM-...-H	6.2	22.1
MS6-LFM-...-H		20.4
<b>Metal bowl U</b>		
MS4-LFM-...-H	6.2	22.1
MS6-LFM-...-H		–

Type	D6 ∅	L6
<b>Plastic bowl guard R</b>		
–	–	–
MS6-LFM-...-V	5.6	18.5
<b>Metal bowl U</b>		
MS4-LFM-...-V	5.6	20.4
MS6-LFM-...-V		–

Fully automatic, electrically actuated E2/E3/E4 Technical data → Internet: [pwea](http://pwea)

Condensate drain PWEA:

- 2 Electrical connection: Screw terminal PG9
- 3 Connection 360° rotatable for plastic tubing PUN-H-12x2

Type	B6	B7	B8	B9	L12
MS6-LFM-...-E2/E3/E4	72	140	108	15	174.5

# Fine and micro filters MS4/MS6-LFM, MS series

Technical data

Ordering data						
Without differential pressure indicator						
Size	Condensate drain	Connection	Micro filter		Fine filter	
			Grade of filtration 0.01 µm		Grade of filtration 1 µm	
			Part No.	Type	Part No.	Type
Plastic bowl guard						
MS4	Manual rotary	G $\frac{1}{8}$	529463	MS4-LFM- $\frac{1}{8}$ -ARM	529465	MS4-LFM- $\frac{1}{8}$ -BRM
		G $\frac{1}{4}$	529459	MS4-LFM- $\frac{1}{4}$ -ARM	529461	MS4-LFM- $\frac{1}{4}$ -BRM
MS6	Manual rotary	G $\frac{1}{4}$	529663	MS6-LFM- $\frac{1}{4}$ -ARM	529667	MS6-LFM- $\frac{1}{4}$ -BRM
		G $\frac{3}{8}$	529671	MS6-LFM- $\frac{3}{8}$ -ARM	529675	MS6-LFM- $\frac{3}{8}$ -BRM
		G $\frac{1}{2}$	529655	MS6-LFM- $\frac{1}{2}$ -ARM	529659	MS6-LFM- $\frac{1}{2}$ -BRM
	Fully automatic	G $\frac{1}{4}$	530510	MS6-LFM- $\frac{1}{4}$ -ARV	530514	MS6-LFM- $\frac{1}{4}$ -BRV
		G $\frac{3}{8}$	530518	MS6-LFM- $\frac{3}{8}$ -ARV	-	-
		G $\frac{1}{2}$	530502	MS6-LFM- $\frac{1}{2}$ -ARV	530506	MS6-LFM- $\frac{1}{2}$ -BRV
Integrated as metal bowl						
MS4	Fully automatic	G $\frac{1}{4}$	535768	MS4-LFM- $\frac{1}{4}$ -AUV	535766	MS4-LFM- $\frac{1}{4}$ -BUV
MS6	Fully automatic	G $\frac{1}{4}$	529665	MS6-LFM- $\frac{1}{4}$ -AUV	-	-
		G $\frac{3}{8}$	529673	MS6-LFM- $\frac{3}{8}$ -AUV	-	-
		G $\frac{1}{2}$	529657	MS6-LFM- $\frac{1}{2}$ -AUV	529661	MS6-LFM- $\frac{1}{2}$ -BUV

Ordering data						
With differential pressure indicator						
Size	Condensate drain	Connection	Micro filter		Fine filter	
			Grade of filtration 0.01 µm		Grade of filtration 1 µm	
			Part No.	Type	Part No.	Type
Plastic bowl guard						
MS4	Manual rotary	G $\frac{1}{8}$	536821	MS4-LFM- $\frac{1}{8}$ -ARM-DA	-	-
		G $\frac{1}{4}$	536822	MS4-LFM- $\frac{1}{4}$ -ARM-DA	536818	MS4-LFM- $\frac{1}{4}$ -BRM-DA
MS6	Manual rotary	G $\frac{1}{4}$	536869	MS6-LFM- $\frac{1}{4}$ -ARM-DA	536833	MS6-LFM- $\frac{1}{4}$ -BRM-DA
		G $\frac{3}{8}$	536870	MS6-LFM- $\frac{3}{8}$ -ARM-DA	-	-
		G $\frac{1}{2}$	536871	MS6-LFM- $\frac{1}{2}$ -ARM-DA	536835	MS6-LFM- $\frac{1}{2}$ -BRM-DA
	Fully automatic	G $\frac{1}{2}$	536877	MS6-LFM- $\frac{1}{2}$ -ARV-DA	536841	MS6-LFM- $\frac{1}{2}$ -BRV-DA
Integrated as metal bowl						
MS4	Fully automatic	G $\frac{1}{4}$	537214	MS4-LFM- $\frac{1}{4}$ -AUV-DA	-	-
MS6	Fully automatic	G $\frac{1}{2}$	536883	MS6-LFM- $\frac{1}{2}$ -AUV-DA	536847	MS6-LFM- $\frac{1}{2}$ -BUV-DA
Integrated as metal bowl and high flow rate						
MS6	Fully automatic	G $\frac{1}{2}$	552926	MS6-LFM- $\frac{1}{2}$ -AUV-HF-DA	552925	MS6-LFM- $\frac{1}{2}$ -BUV-HF-DA

# Fine and micro filters MS4/MS6-LFM, MS series



Ordering data – Modular products

Ordering table						
Grid dimension	[mm]	40	62	Condi- tions	Code	Enter code
<b>M</b>	Module No.	<b>527697</b>	<b>527670</b>			
	Series	Standard			<b>MS</b>	MS
	Size	4	6		...	
	Function	Fine and micro filter			<b>-LFM</b>	-LFM
	Pneumatic connection	Female thread G $\frac{1}{8}$	–	<input type="checkbox"/>	- $\frac{1}{8}$	
		Female thread G $\frac{1}{4}$	Female thread G $\frac{1}{4}$	<input type="checkbox"/>	- $\frac{1}{4}$	
		–	Female thread G $\frac{3}{8}$	<input type="checkbox"/>	- $\frac{3}{8}$	
		–	Female thread G $\frac{1}{2}$	<input type="checkbox"/>	- $\frac{1}{2}$	
		Connecting plate G $\frac{1}{8}$	–		<b>-AGA</b>	
		Connecting plate G $\frac{1}{4}$	Connecting plate G $\frac{1}{4}$		<b>-AGB</b>	
		Connecting plate G $\frac{3}{8}$	Connecting plate G $\frac{3}{8}$		<b>-AGC</b>	
		–	Connecting plate G $\frac{1}{2}$		<b>-AGD</b>	
		–	Connecting plate G $\frac{3}{4}$		<b>-AGE</b>	
		Connecting plate NPT $\frac{1}{8}$	–	<input type="checkbox"/>	<b>-AQK</b>	
		Connecting plate NPT $\frac{1}{4}$	Connecting plate NPT $\frac{1}{4}$	<input type="checkbox"/>	<b>-AQN</b>	
		Connecting plate NPT $\frac{3}{8}$	Connecting plate NPT $\frac{3}{8}$	<input type="checkbox"/>	<b>-AQP</b>	
		–	Connecting plate NPT $\frac{1}{2}$	<input type="checkbox"/>	<b>-AQR</b>	
		–	Connecting plate NPT $\frac{3}{4}$	<input type="checkbox"/>	<b>-AQS</b>	
	Grade of filtration	1 $\mu$ m			<b>-B</b>	
		0.01 $\mu$ m			<b>-A</b>	
	Bowl	Plastic bowl with plastic bowl guard			<b>-R</b>	
		Metal bowl			<b>-U</b>	

$\frac{1}{8}$ ,  $\frac{1}{4}$ ,  $\frac{3}{8}$ ,  $\frac{1}{2}$ , **AQK, AQN, AQP, AQR, AQS, E2, E3, E4, DP, DN, DPI, DNI, WPM**  
Not with EU certification EX4

- Mandatory data
- Options

Transfer order code

**MS**  - **LFM**  -  -



# Fine and micro filters MS4/MS6-LFM, MS series

Ordering data – Modular products

Ordering table						
Grid dimension	[mm]	40	62	Condi- tions	Code	Enter code
↓ [M]	Condensate drain	Manual			-M	
		Semi-automatic (P1 max. 12 bar)			-H	
		Fully automatic (P1 max. 12 bar)		[2]	-V	
		–	External fully automatic condensate drain, electrical, 110 V AC, terminals	[1] [3]	-E2	
		–	External fully automatic condensate drain, electrical, 230 V AC, terminals	[1] [3]	-E3	
	–	External fully automatic condensate drain, electrical, 24 V DC, terminals	[1] [3]	-E4		
[O]	Flow rate	–	High flow rate		-HF	
	Range of application	–	Suitable for sealing air and cleaning air	[4]	-HP	
	Filter contamination sensing	Differential pressure indicator, visual			-DA	
		Filter contamination indicator, M8 plug, PNP, 3-pin		[1] [5]	-DP	
		Filter contamination indicator, M8 plug, NPN, 3-pin		[1] [5]	-DN	
		Filter contamination indicator, M12 plug, PNP, 4-pin, analogue output 4 ... 20 mA		[1] [5]	-DPI	
		Filter contamination indicator, M12 plug, PNP, 4-pin, analogue output 4 ... 20 mA		[1] [5]	-DNI	
	Type of mounting	Mounting bracket standard design		[6]	-WP	
		Mounting bracket for attaching the service units		[1] [6]	-WPM	
		Mounting bracket centrally at rear (wall mounting top and bottom), connecting plates not required			-WB	
		Mounting bracket centrally at rear (wall mounting top), connecting plates not required	–		-WBM	
	EU certification	II 2GD to EU Explosion Protection Directive (ATEX)			-EX4	
	UL certification	cULus, ordinary location for Canada and USA			-UL1	
	Flow direction	Flow direction from right to left			-Z	

[2] V Size 4: only with metal bowl U

[3] E2, E3, E4 Only with metal bowl U

[4] HP Not with flow rate HF or filter contamination sensing DA

[5] DP, DN, DPI, DNI

Measuring range max. 10 bar

[6] WP, WPM Only with connecting plate AGA, AGB, AGC, AGD, AGE, AQK, AQN, AQP, AQR or AQS.

[M] Mandatory data

[O] Options

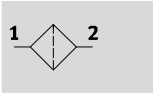
Transfer order code

– [ ] – [ ] – [ ] – [ ] – [ ] – [ ] – [ ] – [ ]

# Active carbon filters MS4/MS6-LFX, MS series

## Technical data

### Function



- - Flow rate  
max. 2,500 l/min
- - Temperature range  
-10 ... +60 °C
- - Operating pressure  
0 ... 20 bar
- - [www.festo.com](http://www.festo.com)



- - Note  
Prefiltration with micro filter MS-LFM-A, grade of filtration 0.01 µm, recommended.

- Removal of liquid and gaseous oil particles from compressed air using active carbon
- Eliminates odours and vapours
- Optionally with filter cartridge for low flow rates, suitable for sealing air and cleaning air
- Optional device variant EX4 for use in potentially explosive areas in zones 1, 2, 21 and 22
- New filter cartridges → 89

General technical data		
Size	MS4	MS6
Pneumatic connection 1, 2		
Female thread	G1/8 or G1/4	G1/4, G3/8 or G1/2
Connecting plate AG...	G1/8, G1/4 or G3/8	G1/4, G3/8, G1/2 or G3/4
Connecting plate AQ...	NPT1/8, NPT1/4 or NPT3/8	NPT1/4, NPT3/8, NPT1/2 or NPT3/4
Design	Active carbon filter	
Type of mounting	Via accessories In-line installation	
Assembly position	Vertical ±5°	
Air purity class at the output <sup>1)</sup>	Compressed air in accordance with ISO 8573-1:2010 [1:4:1]	
Bowl guard	Plastic bowl guard Integrated as metal bowl	
Residual oil content [mg/m <sup>3</sup> ]	≤0.003	

1) We recommend that the filter cartridge be replaced by a new one after 1,000 operating hours. (Applies to an ambient temperature of 21 °C. At higher temperatures the service life of the filter cartridge will be reduced.)

- - Note: This product conforms to ISO 1179-1 and to ISO 228-1

Standard flow rate $q_n^{1)}$ [l/min]				
Size	MS4	MS6		
Variant	Standard	Standard	High flow rate HF	Range of application HP, suitable for sealing air and cleaning air
Max. standard flow rate for air purity class $q_{n \max}$	360	900	2,500	900

1) Measured at  $p_1 = 6$  bar.

# Active carbon filters MS4/MS6-LFX, MS series

Technical data

Operating and environmental conditions		
Size	MS4	MS6
Operating pressure [bar]	0 ... 14 (0 ... 10) <sup>1)</sup>	0 ... 20 (0 ... 10) <sup>1)</sup>
Operating medium	Compressed air in accordance with ISO 8573-1:2010 [1:4:2] Inert gases	
Ambient temperature [°C]	-10 ... +60	
Temperature of medium [°C]	+5 ... +30	
Storage temperature [°C]	-10 ... +60	
Corrosion resistance class CRC <sup>2)</sup>	2	
UL certification	cULus recognized (OL)	

1) Value in brackets applies to MS4/MS6-LFX with UL certification.

2) Corrosion resistance class CRC 2 to Festo standard FN 940070

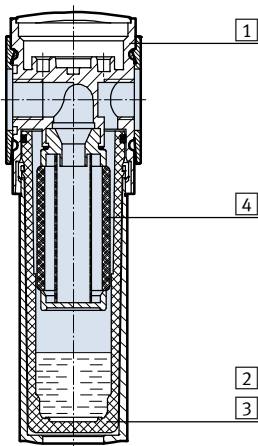
Moderate corrosion stress. Indoor applications in which condensation may occur. External visible parts with primarily decorative requirements for the surface and which are in direct contact with the ambient atmosphere typical for industrial applications.

ATEX	
EU certification	EX4
ATEX category gas	II 2G
Ex-ignition protection type gas	c T6 X
ATEX category dust	II 2D
EX-ignition protection type dust	c 60 °C X
ATEX ambient temperature	-10 °C ≤ Ta ≤ +60 °C
CE mark (see declaration of conformity)	To EU Explosion Protection Directive (ATEX)

Weights [g]			
Size	MS4	MS6	
Variant	Standard	Standard/Range of application HP	High flow rate HF
Active carbon filter with plastic bowl guard R	190	600	1,280
Active carbon filter with metal bowl U	350	820	1,500

## Materials

Sectional view



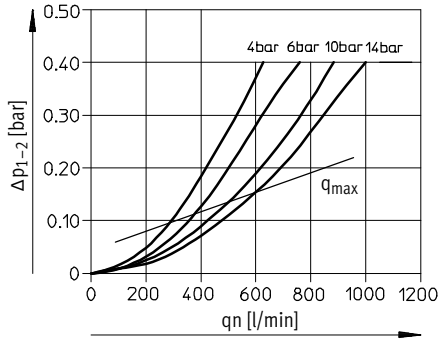
Active carbon filter		
1	Body	Die-cast aluminium
2	Plastic bowl guard	PC
3	Metal bowl	Wrought aluminium alloy, die-cast aluminium
	Viewing window	PA
4	Filters	Active carbon
-	Seals	NBR
Note on materials		RoHS-compliant Free of copper and PTFE

# Active carbon filters MS4/MS6-LFX, MS series

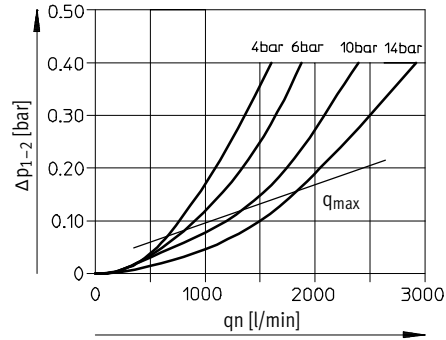
Technical data

## Standard flow rate $q_n$ as a function of the differential pressure $\Delta p_{1-2}$

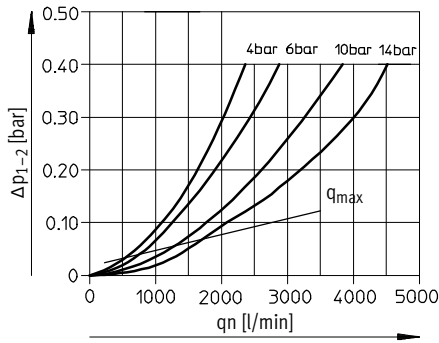
MS4-LFX-1/8 and MS4-LFX-1/4



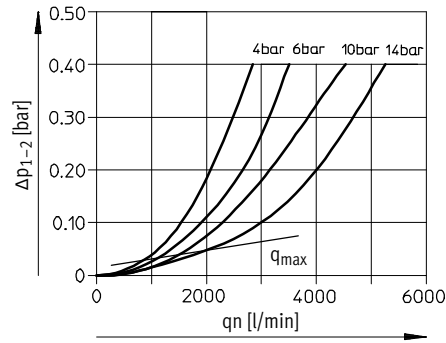
MS6-LFX-1/4



MS6-LFX-3/8

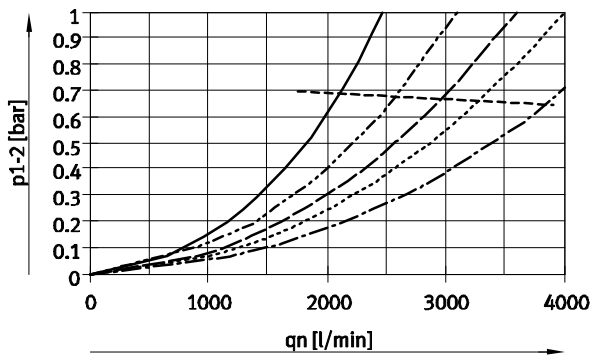


MS6-LFX-1/2

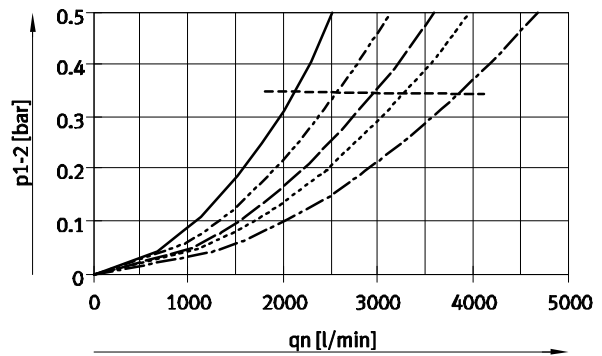


## Standard flow rate $q_n$ as a function of the differential pressure $p_{1-2}$

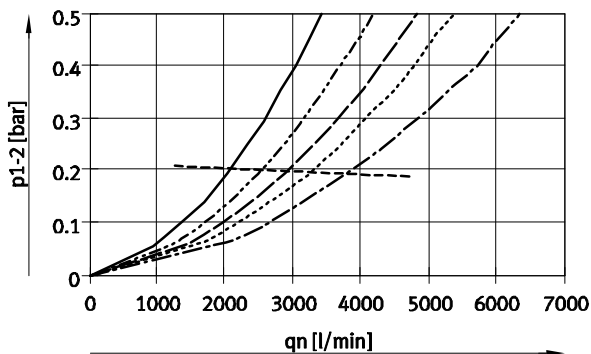
MS6-LFX-1/4...-HF



MS6-LFX-3/8...-HF



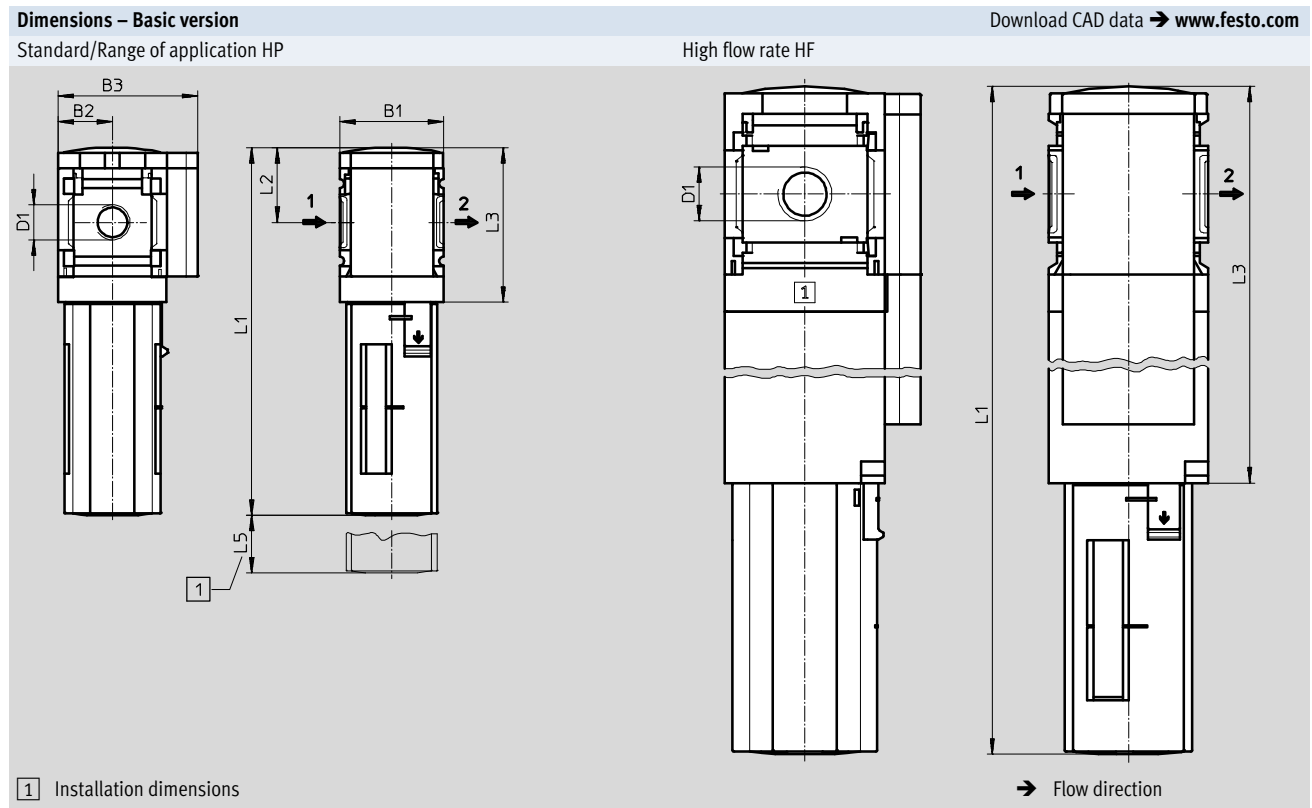
MS6-LFX-1/2...-HF



- p1: 4 bar
- - - p1: 6 bar
- · - · p1: 8 bar
- · · · p1: 10 bar
- · - · p1: 14 bar
- - - q<sub>max</sub>

# Active carbon filters MS4/MS6-LFX, MS series

Technical data



Type	B1	B2	B3	D1	L1		L2	L3	L5
					Plastic	Metal			
MS4-LFX-1/8	40	21	54	G1/8	142.8	160.4	29	60	73
MS4-LFX-1/4				G1/4					
MS6-LFX-1/4	62	31	76	G1/4	192	198	42	88	100
MS6-LFX-3/8				G3/8					
MS6-LFX-1/2				G1/2					
MS6-LFX-1/4-...-HF				G1/4					
MS6-LFX-3/8-...-HF	62	31	76	G3/8	312	318	42	207	100
MS6-LFX-1/2-...-HF				G1/2					

• Note: This product conforms to ISO 1179-1 and to ISO 228-1

Ordering data					
Size	Connection	Plastic bowl guard		Integrated as metal bowl	
		Part No.	Type	Part No.	Type
MS4	G1/8	-	-	536709	MS4-LFX-1/8-U
	G1/4	529467	MS4-LFX-1/4-R	535782	MS4-LFX-1/4-U
MS6	G1/4	529683	MS6-LFX-1/4-R	529685	MS6-LFX-1/4-U
	G3/8	529687	MS6-LFX-3/8-R	-	-
	G1/2	529679	MS6-LFX-1/2-R	529681	MS6-LFX-1/2-U
High flow rate					
MS6	G1/2	-	-	552927	MS6-LFX-1/2-U-HF

# Activated carbon filters MS4/MS6-LFX, MS series

Ordering data – Modular products

Ordering table						
Grid dimension	[mm]	40	62	Condi- tions	Code	Enter code
<b>M</b>	Module No.	<b>527699</b>	<b>527672</b>			
	Series	Standard			<b>MS</b>	MS
	Size	4	6		...	
	Function	Activated carbon filter			<b>-LFX</b>	-LFX
	Pneumatic connection	Female thread G $\frac{1}{8}$	–	<b>1</b>	<b>-<math>\frac{1}{8}</math></b>	
		Female thread G $\frac{1}{4}$	Female thread G $\frac{1}{4}$	<b>1</b>	<b>-<math>\frac{1}{4}</math></b>	
		–	Female thread G $\frac{3}{8}$	<b>1</b>	<b>-<math>\frac{3}{8}</math></b>	
		–	Female thread G $\frac{1}{2}$	<b>1</b>	<b>-<math>\frac{1}{2}</math></b>	
		Connecting plate G $\frac{1}{8}$	–		<b>-AGA</b>	
		Connecting plate G $\frac{1}{4}$	Connecting plate G $\frac{1}{4}$		<b>-AGB</b>	
		Connecting plate G $\frac{3}{8}$	Connecting plate G $\frac{3}{8}$		<b>-AGC</b>	
		–	Connecting plate G $\frac{1}{2}$		<b>-AGD</b>	
		–	Connecting plate G $\frac{3}{4}$		<b>-AGE</b>	
		Connecting plate NPT $\frac{1}{8}$	–	<b>1</b>	<b>-AQK</b>	
		Connecting plate NPT $\frac{1}{4}$	Connecting plate NPT $\frac{1}{4}$	<b>1</b>	<b>-AQN</b>	
		Connecting plate NPT $\frac{3}{8}$	Connecting plate NPT $\frac{3}{8}$	<b>1</b>	<b>-AQP</b>	
		–	Connecting plate NPT $\frac{1}{2}$	<b>1</b>	<b>-AQR</b>	
		–	Connecting plate NPT $\frac{3}{4}$	<b>1</b>	<b>-AQS</b>	
	Bowl	Plastic bowl with plastic bowl guard			<b>-R</b>	
		Metal bowl			<b>-U</b>	
<b>O</b>	Flow rate	–	High flow rate		<b>-HF</b>	
	Range of application	–	Suitable for sealing air and cleaning air	<b>2</b>	<b>-HP</b>	
	Type of mounting	Mounting bracket standard design		<b>3</b>	<b>-WP</b>	
		Mounting bracket for attaching the service units		<b>1 3</b>	<b>-WPM</b>	
		Mounting bracket centrally at rear (wall mounting top and bottom), connecting plates not required			<b>-WB</b>	
		Mounting bracket centrally at rear (wall mounting top), connecting plates not required	–		<b>-WBM</b>	
	EU certification	II 2GD to EU Explosion Protection Directive (ATEX)			<b>-EX4</b>	
	UL certification	cULus, ordinary location for Canada and USA			<b>-UL1</b>	
	Flow direction	Flow direction from right to left			<b>-Z</b>	

**1**  $\frac{1}{8}$ ,  $\frac{1}{4}$ ,  $\frac{3}{8}$ ,  $\frac{1}{2}$ , **AQK, AQN, AQP, AQR, AQS, WPM**

Not with EU certification EX4

**2** **HP**

Not with flow rate HF

**3** **WP, WPM**

Only with connecting plate AGA, AGB, AGC, AGD, AGE, AQK, AQN, AQP, AQR or AQS.

**M** Mandatory data

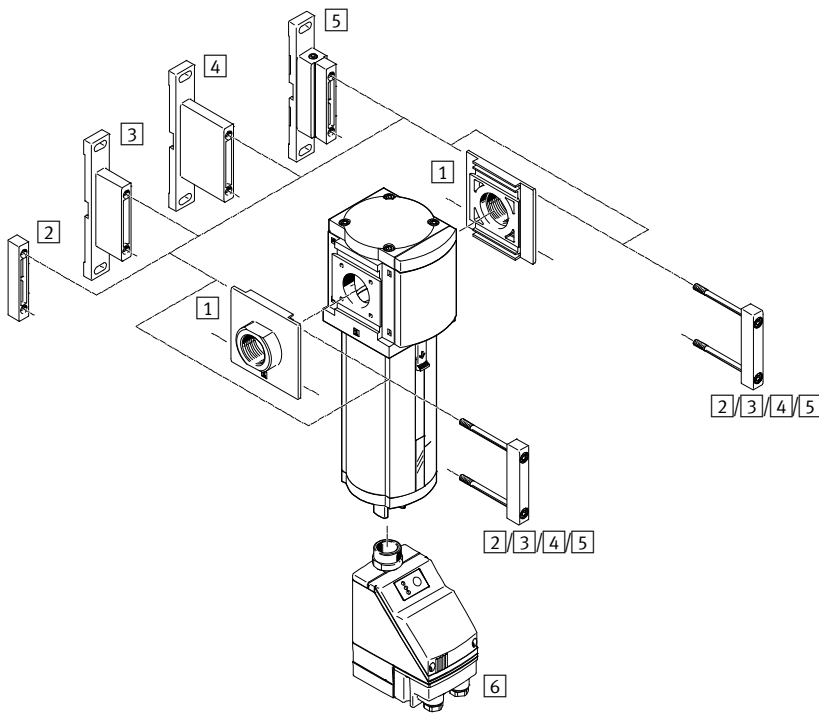
**O** Options


Transfer order code

**MS**  - **LFX** -  -  -  -  -  -  -  -  -  -

# Filters MS9-LF, MS series

Peripherals overview



-  - Note  
 Additional accessories:  
 - Module connector for combination with size MS6, MS9 or MS12  
 → Internet: rmv, armv

Mounting attachments and accessories					
		Individual device		Combination Module without connecting thread, without connecting plate G	→ Page/ Internet
		With female thread 3/4/1/N3/4/N1	With connecting plate AG.../AQ... Without EU certification EX4		
1	Connecting plate-SET MS9-AG...	-	■	■	ms9-ag
	Connecting plate-SET MS9-AQ...	-	■	-	ms9-aq
2	Module connector MS9-MV	-	-	■	ms9-mv
3	Mounting bracket MS9-WP	■	■	■	ms9-wp
4	Mounting bracket MS9-WPB	■	■	■	ms9-wp
5	Mounting bracket MS9-WPM	■	■	-	ms9-wp
6	Condensate drain, fully automatic, electrically actuated E2/E3/E4	■	■	■	46

# Filters MS9-LF, MS series

Type codes

MS	9	-	LF	-	G	-	E	U	M
----	---	---	----	---	---	---	---	---	---

Series	
MS	Standard service unit
Size	
9	Grid dimension 90 mm
Service function	
LF	Filter
Connection size	
G	Module without connecting thread, without connecting plate
Grade of filtration	
C	5 µm
E	40 µm
Bowl guard	
U	Integrated as metal bowl
Condensate drain	
M	Manual rotary
V	Fully automatic

**Additional variants can be ordered using the modular system → 46**

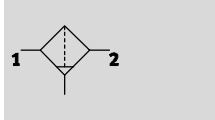
- Pneumatic connection
- Condensate drain
- Type of mounting
- EU certification
- UL certification
- Flow direction



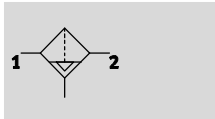
# Filters MS9-LF, MS series




Technical data

Condensate drain,  
manual rotary



Condensate drain,  
semi or fully automatic



-  Flow rate  
6,000 ... 16,000 l/min
-  Temperature range  
-10 ... +60 °C
-  Operating pressure  
0 ... 20 bar



- Good particle and condensate separation
- High flow rate with minimal pressure drop
- Available with manual, semi-automatic, fully automatic or fully automatic, electrically actuated condensate drain
- Choice of filter cartridges:  
5 µm or 40 µm
- New filter cartridges → 90
- Optional device variant EX4 for use in potentially explosive areas in zones 1, 2, 21 and 22

General technical data	
Size	MS9
Pneumatic connection 1, 2	
Female thread	G3/4, G1, NPT3/4 or NPT1
Connecting plate AG...	G1/2, G3/4, G1, G1 1/4 or G1 1/2
Connecting plate AQ...	NPT1/2, NPT3/4, NPT1, NPT1 1/4 or NPT1 1/2
Module without connecting thread/plate G	-
Design	Sintered filter with centrifugal separator
Type of mounting	Via accessories In-line installation
Mounting position	Vertical ±5°
Grade of filtration [µm]	5 40
Air purity class at the output	Compressed air in accordance with ISO 8573-1:2010 [6:8:4] (grade of filtration 5 µm) Compressed air in accordance with ISO 8573-1:2010 [7:8:4] (grade of filtration 40 µm)
Bowl guard	Integrated as metal bowl
Condensate drain	Manual rotary Semi-automatic Fully automatic Fully automatic, electrically actuated
Max. condensate volume [ml]	220

-||- Note: This product conforms to ISO 1179-1 and to ISO 228-1

Standard nominal flow rate qnN <sup>1)</sup> [l/min]				
Pneumatic connection		G1/2/NPT1/2	G3/4/NPT3/4	G1/G1 1/4/G1 1/2/ NPT1/NPT1 1/4/NPT1 1/2
Grade of filtration	5 µm	6,000	8,500	9,500
	40 µm	8,000	12,500	16,000

1) Measured at p<sub>1</sub> = 6 bar and Δp = 1 bar

-||- 125 l/min must be available for the fully automatic condensate drain to close correctly.

# Filters MS9-LF, MS series

Technical data

Operating and environmental conditions				
Condensate drain	Manual rotary M	Semi-automatic H	Fully automatic V	Fully automatic, electrically actuated E2/E3/E4
Operating pressure [bar]	0 ... 20	1.5 ... 12	2 ... 12	1 ... 16
Operating medium	Compressed air in accordance with ISO 8573-1:2010 [-:9:-]	Compressed air in accordance with ISO 8573-1:2010 [-:9:-]	Compressed air in accordance with ISO 8573-1:2010 [7:9:-]	Compressed air in accordance with ISO 8573-1:2010 [-:9:-]
Ambient temperature [°C]	-10 ... +60	+5 ... +60	+5 ... +60	+1 ... +60
Temperature of medium [°C]	-10 ... +60	+5 ... +60	+5 ... +60	+1 ... +60
Storage temperature [°C]	-10 ... +60	+5 ... +60	+5 ... +60	+1 ... +60
Corrosion resistance class CRC <sup>1)</sup>	2			
UL certification	cULus recognized (OL)			

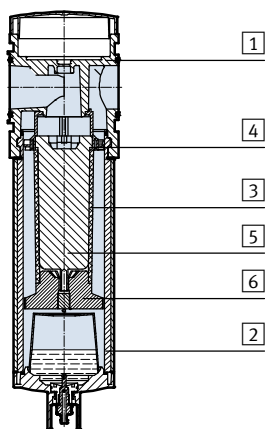
1) Corrosion resistance class CRC 2 to Festo standard FN 940070  
Moderate corrosion stress. Indoor applications in which condensation may occur. External visible parts with primarily decorative requirements for the surface and which are in direct contact with the ambient atmosphere typical for industrial applications.

ATEX	
EU certification	EX4
ATEX category gas	II 2G
Ex-ignition protection type gas	c T6 X
ATEX category dust	II 2D
EX-ignition protection type dust	c T60 °C X
ATEX ambient temperature	-10 °C ≤ Ta ≤ +60 °C (manual rotary condensate drain M) +5 °C ≤ Ta ≤ +60 °C (semi-automatic/fully automatic condensate drain H/V)
CE mark (see declaration of conformity)	To EU Explosion Protection Directive (ATEX)

Weight [g]	
Filter	2,000
Filter with condensate drain, fully automatic, electrically actuated E2/E3/E4	2,400

## Materials

Sectional view



Filter		
1	Housing	Die-cast aluminium
2	Bowl	Wrought aluminium alloy
	Inspection window	PA
3	Filter	PE
4	Spin disc	POM
5	Filter holder	POM
6	Separating plate	POM
-	Cover	PA reinforced
-	Connecting plate, module connector, mounting bracket	Die-cast aluminium
-	Seals	NBR
Note on materials		RoHS-compliant (not with variant E2, E3 or E4)

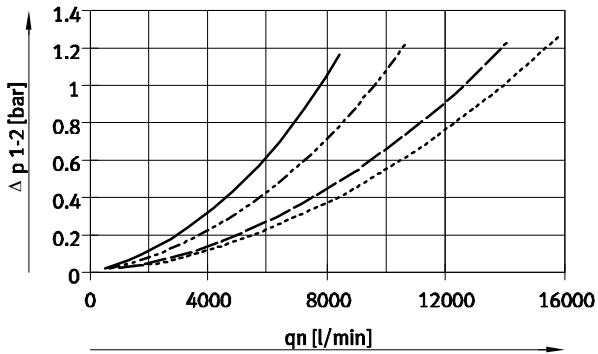
# Filters MS9-LF, MS series

Technical data

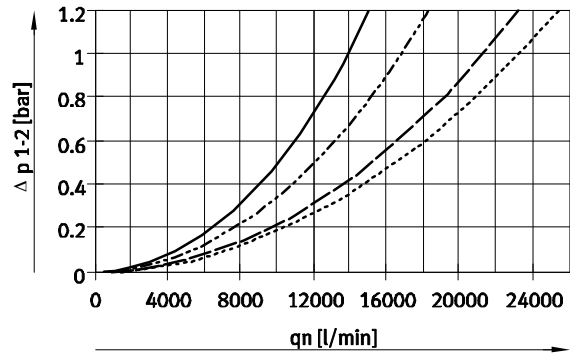


## Standard flow rate $q_n$ as a function of differential pressure $\Delta p_{1-2}$

Grade of filtration 5  $\mu\text{m}$ , pneumatic connection G1/NPT1



Grade of filtration 40  $\mu\text{m}$ , pneumatic connection G1/NPT1

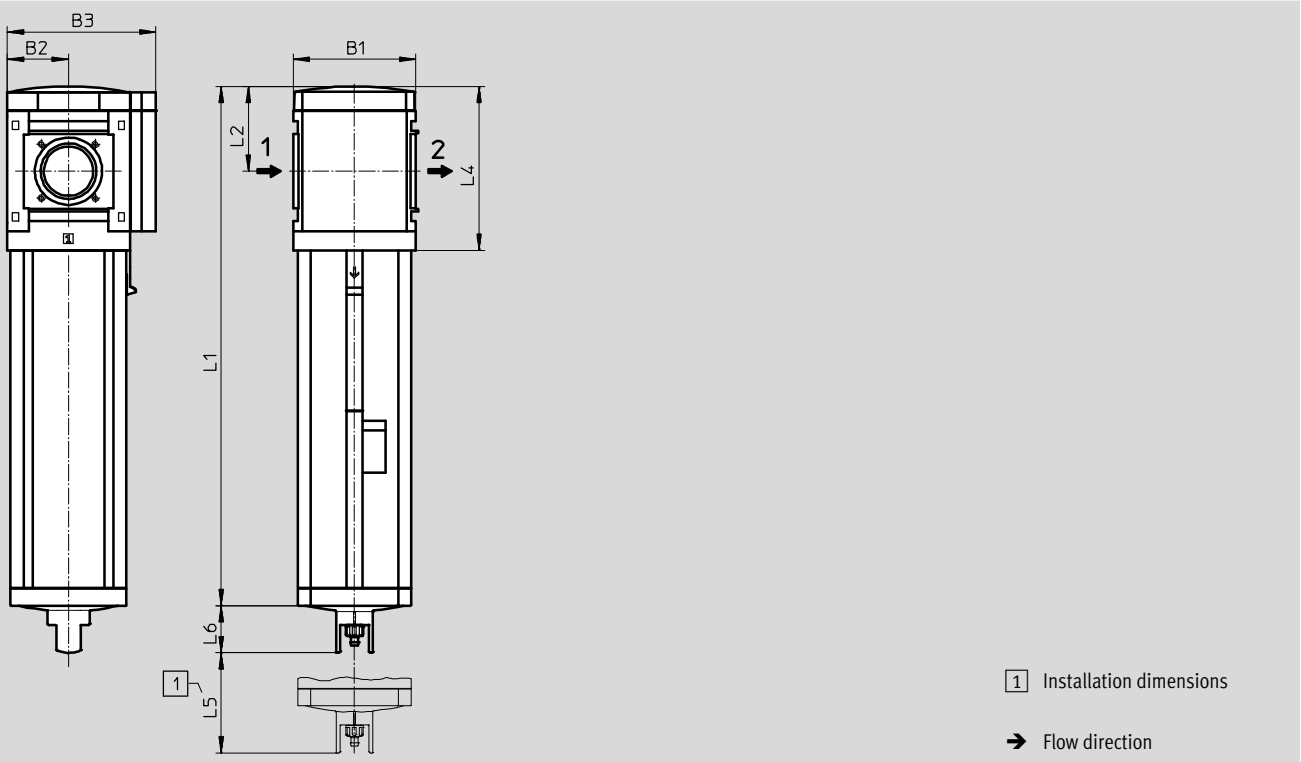


— 4 bar                      - · - · 10 bar  
 - - - 6 bar                      · · · · 12 bar

## Dimensions – Basic version

Download CAD data → [www.festo.com](http://www.festo.com)

Module without connecting thread, without connecting plate G



1 Installation dimensions

→ Flow direction

Type	B1	B2	B3	L1	L2	L4	L5	L6
MS9-LF-G	90	45	109	310.5	62	120	150	34.5

# Filters MS9-LF, MS series

Technical data

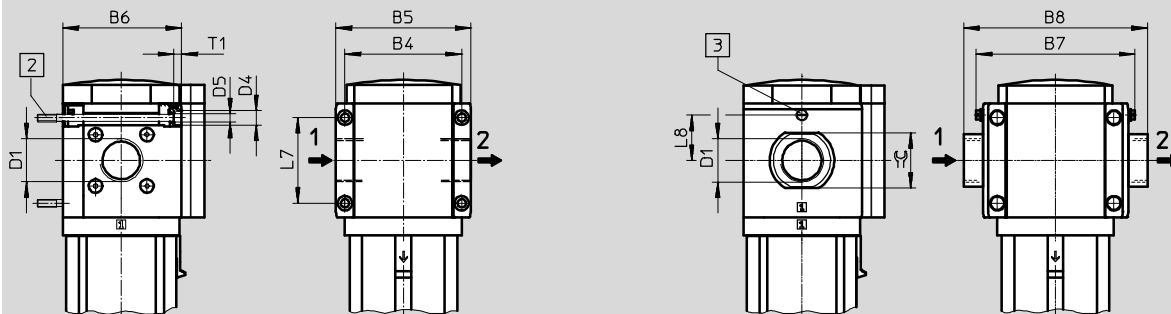
FESTO

## Dimensions – Connecting thread/connecting plate

Download CAD data → [www.festo.com](http://www.festo.com)

With female thread 3/4/1/N3/4/N1

With connecting plate AG.../AQ...



[2] Mounting screw M6xmin.90 to DIN 912 (not included in the scope of delivery) for wall mounting without mounting bracket

[3] Earthing screw M4x8 (only with MS9-...-EX4)

→ Flow direction

Type	B4	B5	B6	B7		B8	D1	D4	D5	L7	L8		T1	≅
					EX4							EX4		
MS9-LF-3/4	90	104	91.5	-	-	-	G3/4	11	6.5	66	-	6	-	
MS9-LF-1							G1							
MS9-LF-AGD	-	-	-	112	122	132	G1/2	-	-	-	35	-	30	
MS9-LF-AGE							G3/4						36	
MS9-LF-AGF							G1						41	
MS9-LF-AGG							G1 1/4						50	
MS9-LF-AGH							G1 1/2						55	
MS9-LF-N3/4							90						104	91.5
MS9-LF-N1	NPT1-11 1/2													
MS9-LF-AQR	-	-	-	112	122	132	NPT1/2-14	-	-	-	35	-	30	
MS9-LF-AQS							NPT3/4-14						36	
MS9-LF-AQT							NPT1-11 1/2						41	
MS9-LF-AQU							NPT1 1/4-11 1/2						50	
MS9-LF-AQV							NPT1 1/2-11 1/2						55	

• Note: This product conforms to ISO 1179-1 and to ISO 228-1

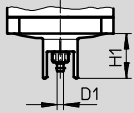
# Filters MS9-LF, MS series

Technical data

## Dimensions – Condensate drain

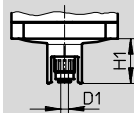
Download CAD data → [www.festo.com](http://www.festo.com)

Manual rotary M/fully automatic V



Barbed connector for plastic tubing PUN(-H)-8x1,25

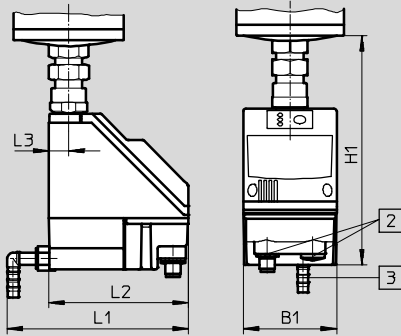
Semi-automatic H



Push-in connector for plastic tubing PUN-6/PAN-6

Fully automatic, electrically actuated E2/E3/E4

Technical data → Internet: [pwea](http://pwea)



Condensate drain PWEA:

- 2 Electrical connection: Screw terminal PG9
- 3 Connection 360° rotatable for plastic tubing PUN-H-12x2

Type	B1	D1	H1	L1	L2	L3
MS9-LF-...-M/V	-	5.6	34.5	-	-	-
MS9-LF-...-H	-	6.2				
MS9-LF-...-E2/E3/E4	72	-	178	140	108	15

## Ordering data

Size	Condensate drain	Connection	Grade of filtration 5 µm		Grade of filtration 40 µm	
			Part No.	Type	Part No.	Type
MS9	Manual rotary	-	564108	MS9-LF-G-CUM	564106	MS9-LF-G-EUM
	Fully automatic	-	564109	MS9-LF-G-CUV	564107	MS9-LF-G-EUV

# Filters MS9-LF, MS series

Ordering data – Modular products

Ordering table		Grid dimension [mm]	90	Condi- tions	Code	Enter code	
<b>M</b>	Module No.	<b>562532</b>					
	Series	Standard			<b>MS</b>	MS	
	Size	9			<b>9</b>	9	
	Function	Filter			<b>-LF</b>	-LF	
	Pneumatic connection	Female thread G $\frac{3}{4}$		1	<b>-<math>\frac{3}{4}</math></b>		
		Female thread G1		1	<b>-1</b>		
		Connecting plate G $\frac{1}{2}$			<b>-AGD</b>		
		Connecting plate G $\frac{3}{4}$			<b>-AGE</b>		
		Connecting plate G1			<b>-AGF</b>		
		Connecting plate G1 $\frac{1}{4}$			<b>-AGG</b>		
		Connecting plate G1 $\frac{1}{2}$			<b>-AGH</b>		
		Female thread NPT $\frac{3}{4}$		1	<b>-N<math>\frac{3}{4}</math></b>		
		Female thread NPT1		1	<b>-N1</b>		
		Connecting plate NPT $\frac{1}{2}$		1	<b>-AQR</b>		
		Connecting plate NPT $\frac{3}{4}$		1	<b>-AQS</b>		
		Connecting plate NPT1		1	<b>-AQT</b>		
		Connecting plate NPT1 $\frac{1}{4}$		1	<b>-AQU</b>		
		Connecting plate NPT1 $\frac{1}{2}$		1	<b>-AQV</b>		
		Module without connecting thread, without connecting plate		1	<b>-G</b>		
		Grade of filtration	40 $\mu$ m			<b>-E</b>	
	5 $\mu$ m			<b>-C</b>			
	Bowl	Metal bowl			<b>-U</b>	-U	
	Condensate drain	Manual			<b>-M</b>		
		Semi-automatic (P1 max. 12 bar)			<b>-H</b>		
		Fully automatic (P1 max. 12 bar)			<b>-V</b>		
		External, fully automatic, electric	110 V AC, terminals (P1 max. 16 bar)		1	<b>-E2</b>	
			230 V AC, terminals (P1 max. 16 bar)		1	<b>-E3</b>	
	24 V DC, terminals (P1 max. 16 bar)		1	<b>-E4</b>			
<b>O</b>	Type of mounting	Mounting bracket standard design		2	<b>-WP</b>		
		Mounting bracket for attaching the service units		1 2	<b>-WPM</b>		
		Mounting bracket for large wall gap		2	<b>-WPB</b>		
	EU certification	II 2GD to EU Explosion Protection Directive (ATEX)			<b>-EX4</b>		
	UL certification	cULus, ordinary location for Canada and USA			<b>-UL1</b>		
	Flow direction	Flow direction from right to left			<b>-Z</b>		

1  $\frac{3}{4}$ , 1, N $\frac{3}{4}$ , N1, AQR, AQS, AQT, AQU, AQV, G, E2, E3, E4, WPM

Not with EU certification EX4

2 **WP, WPM, WPB** Not with pneumatic connection G

**M** Mandatory data

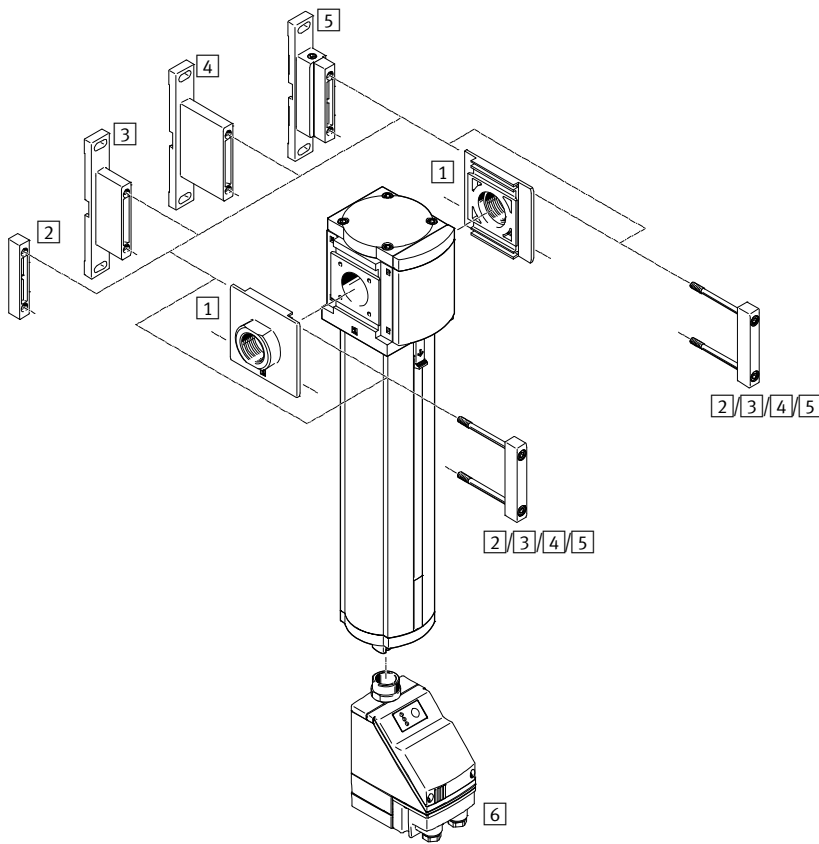
**O** Options


Transfer order code

562532 MS 9 - LF - - - U - - - - -

# Fine and micro filters MS9-LFM, MS series

Peripherals overview



-  - Note  
 Other accessories:  
 - Module connector for combination with size MS6, MS9 or MS12  
 → Internet: rmv, armv

Mounting attachments and accessories					
		Individual device		Combination Module without connecting thread, without connecting plate G	→ Page/ Internet
		With female thread ¾/1/N¾/1/N1	With connecting plate AG.../AQ... Without EU certification EX4		
1	Connecting plate-SET MS9-AG...	-	■	■	ms9-ag
	Connecting plate-SET MS9-AQ...	-	■	-	ms9-aq
2	Module connector MS9-MV	-	-	-	ms9-mv
3	Mounting bracket MS9-WP	■	■	■	ms9-wp
4	Mounting bracket MS9-WPB	■	■	■	ms9-wp
5	Mounting bracket MS9-WPM	■	■	-	ms9-wp
6	Condensate drain, fully automatic, electrically actuated E2/E3/E4	■	■	-	59

# Fine and micro filters MS9-LFM, MS series

Type codes

FESTO

		MS	9	-	LFM	-	1	-	A	U	M	-	HF	-	DA
<b>Series</b>															
MS	Standard service unit														
<b>Size</b>															
9	Grid dimension 90 mm														
<b>Service function</b>															
LFM	Fine and micro filter														
<b>Pneumatic connection</b>															
3/4	Thread G3/4														
1	Thread G1														
G	Module without connecting thread, without connecting plate														
<b>Grade of filtration</b>															
A	0.01 µm														
B	1 µm														
<b>Bowl guard</b>															
U	Integrated as metal bowl														
<b>Condensate drain</b>															
M	Manual rotary														
V	Fully automatic														
<b>Flow rate</b>															
	Standard														
HF	High flow rate														
<b>Filter contamination sensor</b>															
	Without differential pressure indicator														
DA	Differential pressure indicator														

Further variants can be ordered using the modular system → 59

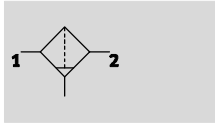
- Pneumatic connection
- Condensate drain
- Type of mounting
- EU certification
- UL certification
- Flow direction



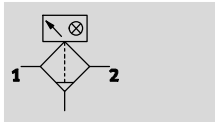
# Fine and micro filters MS9-LFM, MS series

Technical data

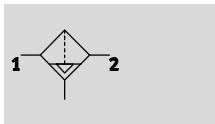
Condensate drain  
Manual rotary  
Without differential pressure indicator



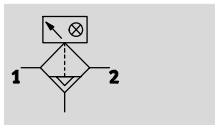
With differential pressure indicator






Condensate drain  
Semi or fully automatic  
Without differential pressure indicator



With differential pressure indicator



-  Flow rate  
325 ... 10,000 l/min
-  Temperature range  
-10 ... +60 °C
-  Operating pressure  
0 ... 20 bar



- High-performance filter for exceptionally clean compressed air
- Air quality to ISO 8573-1:2010
- Available with manual, semi-automatic, fully automatic or fully automatic, electrically actuated condensate drain
- Available with differential pressure indicator for indication of contamination
- Choice of filter cartridges: 0.01 µm or 1 µm
- New filter cartridges → 90
- Optional device variant EX4 for use in potentially explosive areas in zones 1, 2, 21 and 22

General technical data	
Size	MS9
Pneumatic connection 1, 2	
Female thread	G3/4, G1, NPT3/4 or NPT1
Connecting plate AG...	G1/2, G3/4, G1, G1 1/4 or G1 1/2
Connecting plate AQ...	NPT1/2, NPT3/4, NPT1, NPT1 1/4 or NPT1 1/2
Module without connecting thread/plate G	-
Constructional design	Fibre filter
Type of mounting	Via accessories In-line installation
Installation position	Vertical ±5°
Grade of filtration [µm]	0.01 (micro filter MS9-LFM-A) 1 (fine filter MS9-LFM-B)
Air purity class at the output	Compressed air in accordance with ISO 8573-1:2010 [1:7:2] (micro filter MS9-LFM-A) Compressed air in accordance with ISO 8573-1:2010 [5:7:3] (fine filter MS9-LFM-B)
Filter efficiency [%]	99.9999 (Grade of filtration 0.01 µm, micro filter MS9-LFM-A) 99.99 (Grade of filtration 1 µm, fine filter MS9-LFM-B)
Bowl guard	Integrated as metal bowl
Condensate drain	Manual rotary Semi-automatic Fully automatic Fully automatic, electrically actuated
Differential pressure indicator	Visual indicator
Residual oil content [mg/m³]	≤0.01 (micro filter MS9-LFM-A) ≤0.5 (fine filter MS9-LFM-B)
Max. condensate volume [cm³]	225

• † - Note: This product conforms to ISO 1179-1 and to ISO 228-1

# Fine and micro filters MS9-LFM, MS series

Technical data

Standard flow rate $q_n^{1)}$ [l/min]		
Version	Standard	High flow rate HF
<b>Micro filter MS9-LFM-A</b>		
Max. standard flow rate for air purity class $q_n \text{ max}$	6,500	7,800
Min. standard flow rate for air purity class $q_n \text{ min}$	325	390
<b>Fine filter MS9-LFM-B</b>		
Max. standard flow rate for air purity class $q_n \text{ max}$	7,000	10,000
Min. standard flow rate for air purity class $q_n \text{ min}$	350	500

1) Measured at  $p_1 = 6 \text{ bar}$

·  $\downarrow$  - 125 l/min must be available for the fully automatic condensate drain to close correctly.

Operating and environmental conditions				
Condensate drain	Manual rotary	Semi-automatic	Fully automatic	Fully automatic, electrically actuated
	M	H	V	E2/E3/E4
Operating pressure [bar]	0 ... 20	1.5 ... 12	2 ... 12	0.8 ... 16
Operating medium	Compressed air in accordance with ISO 8573-1:2010 [6:8:4] <sup>1)</sup>			
Ambient temperature [°C]	-10 ... +60	+5 ... +60	+5 ... +60	+1 ... +60
Temperature of medium [°C]	-10 ... +60	+5 ... +60	+5 ... +60	+1 ... +60
Storage temperature [°C]	-10 ... +60	+5 ... +60	-10 ... +60	+1 ... +60
Corrosion resistance class CRC <sup>2)</sup>	2			
UL certification	cULus recognized (OL)			

1) It is recommended to prefilter the compressed air for the micro filter MS-LFM-A using a fine filter MS-LFM-B (grade of filtration 1  $\mu\text{m}$ ).

2) Corrosion resistance class CRC 2 to Festo standard FN 940070

Moderate corrosion stress. Indoor applications in which condensation may occur. External visible parts with primarily decorative requirements for the surface and which are in direct contact with the ambient atmosphere typical for industrial applications.

ATEX	
EU certification	EX4
ATEX category gas	II 2G
Ex-ignition protection type gas	c T6 X
ATEX category dust	II 2D
EX-ignition protection type dust	c T60 °C X
ATEX ambient temperature	-10 °C $\leq$ Ta $\leq$ +60 °C (manual rotary condensate drain M)
	+5 °C $\leq$ Ta $\leq$ +60 °C (semi-automatic/fully automatic condensate drain H/V)
CE mark (see declaration of conformity)	To EU Explosion Protection Directive (ATEX)

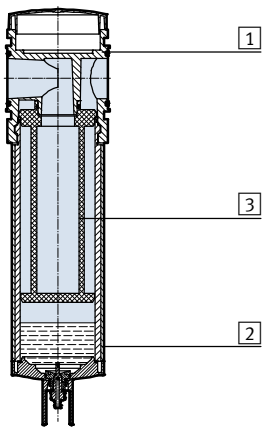
# Fine and micro filters MS9-LFM, MS series

Technical data

Weights [g]		
Version	Standard	High flow rate HF
Fine and micro filter	2,000	2,500
Fine and micro filter with condensate drain fully automatic, electrically actuated E2/E3/E4	2,900	2,900

## Materials

Sectional view



Fine and micro filters		
1	Housing	Die-cast aluminium
2	Bowl	Wrought aluminium alloy
	Inspection window	PA
3	Filter	Borosilicate fibre
-	Cover	PA reinforced
-	Connecting plate, module connector, mounting bracket	Die-cast aluminium
-	Seals	NBR
Note on materials		Free of copper and PTFE

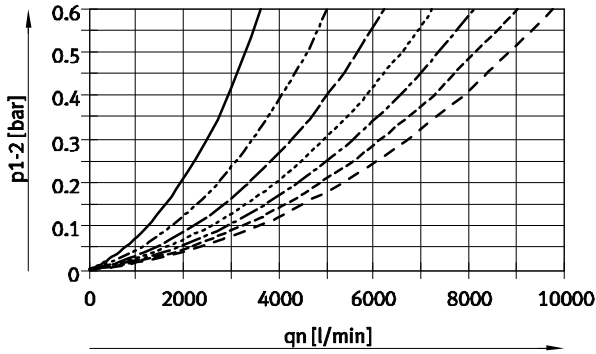
# Fine and micro filters MS9-LFM, MS series

Technical data

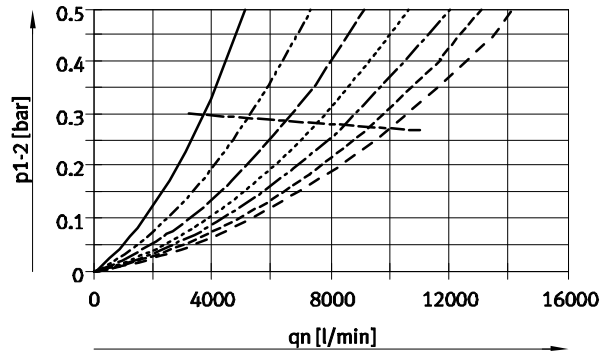


## Standard flow rate $q_n$ as a function of the differential pressure $p_{1-2}$

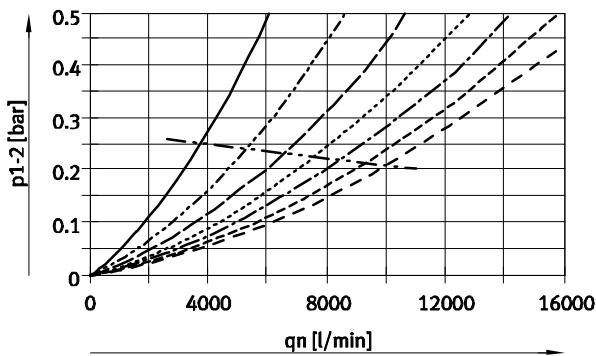
Grade of filtration 0.01  $\mu\text{m}$ , pneumatic connection G $\frac{1}{2}$ /NPT $\frac{1}{2}$



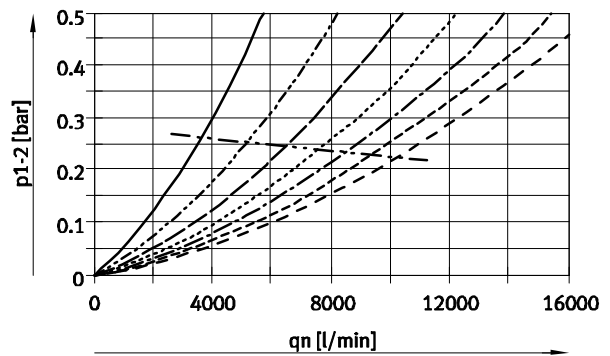
Grade of filtration 0.01  $\mu\text{m}$ , pneumatic connection G $\frac{3}{4}$ /NPT $\frac{3}{4}$



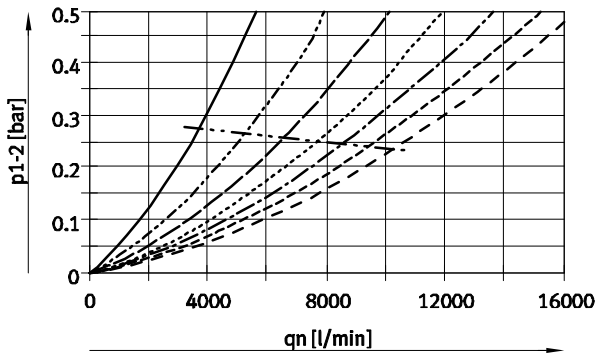
Grade of filtration 0.01  $\mu\text{m}$ , pneumatic connection G1/NPT1



Grade of filtration 0.01  $\mu\text{m}$ , pneumatic connection G1 $\frac{1}{4}$ /NPT1 $\frac{1}{4}$



Grade of filtration 0.01  $\mu\text{m}$ , pneumatic connection G1 $\frac{1}{2}$ /NPT1 $\frac{1}{2}$



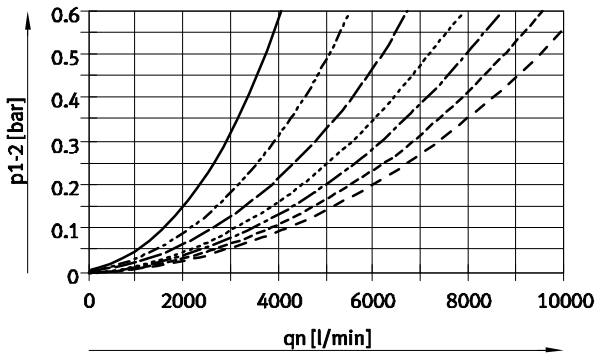
- 2 bar
- - - 4 bar ( $q_{n \text{ min}}$ : 268 l/min)
- · - 6 bar ( $q_{n \text{ min}}$ : 325 l/min)
- · · 8 bar
- - - 10 bar ( $q_{n \text{ min}}$ : 420 l/min)
- - - 12 bar
- - - 14 bar ( $q_{n \text{ min}}$ : 498 l/min)
- - -  $q_{n \text{ max}}$   
(with MS9-LFM-AGD/AQR:  $q_{n \text{ max}}$ -values lie above the measured  $q_n$ -values)

# Fine and micro filters MS9-LFM, MS series

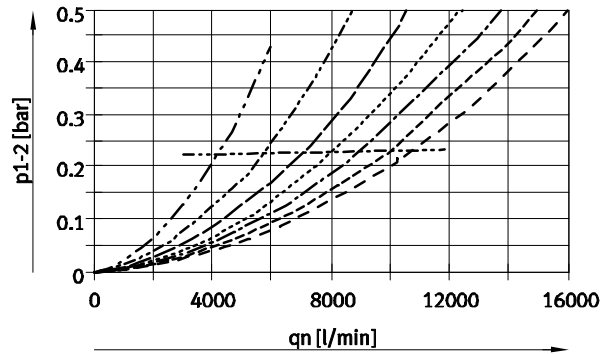
Technical data

## Standard flow rate $q_n$ as a function of the differential pressure $p_{1-2}$

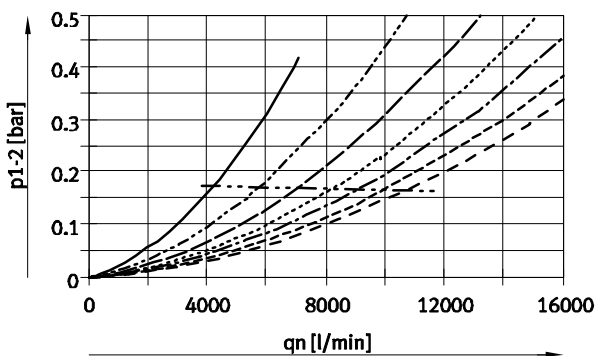
Grade of filtration 1  $\mu\text{m}$ , pneumatic connection G $\frac{1}{2}$ /NPT $\frac{1}{2}$



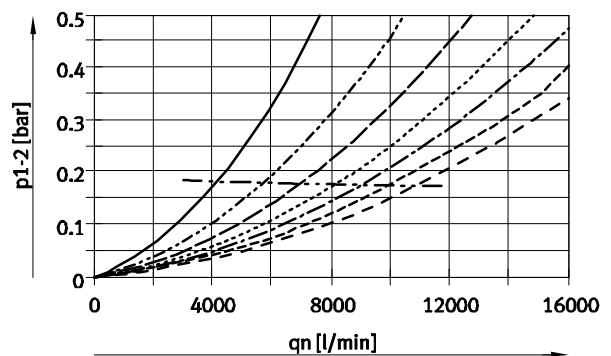
Grade of filtration 1  $\mu\text{m}$ , pneumatic connection G $\frac{3}{4}$ /NPT $\frac{3}{4}$



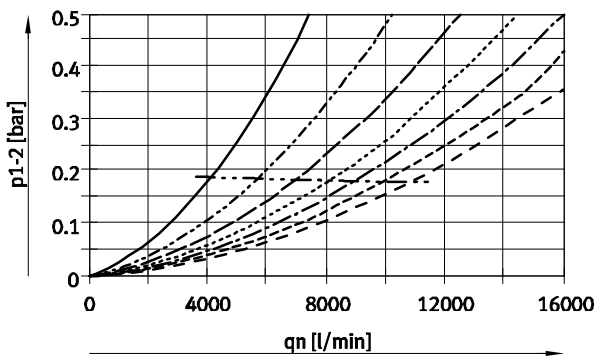
Grade of filtration 1  $\mu\text{m}$ , pneumatic connection G1/NPT1



Grade of filtration 1  $\mu\text{m}$ , pneumatic connection G1 $\frac{1}{4}$ /NPT1 $\frac{1}{4}$



Grade of filtration 1  $\mu\text{m}$ , pneumatic connection G1 $\frac{1}{2}$ /NPT1 $\frac{1}{2}$



- 2 bar
- - - 4 bar ( $q_{n \text{ min}}$ : 289 l/min)
- · - · 6 bar ( $q_{n \text{ min}}$ : 350 l/min)
- · · · · 8 bar
- · · · · · 10 bar ( $q_{n \text{ min}}$ : 450 l/min)
- · · · · · · 12 bar
- · · · · · · · 14 bar ( $q_{n \text{ min}}$ : 540 l/min)
- · · · · · · · ·  $q_{n \text{ max}}$   
(with MS9-LFM-AGD/AQR:  $q_{n \text{ max}}$ -values lie above the measured  $q_n$ -values)

# Fine and micro filters MS9-LFM, MS series

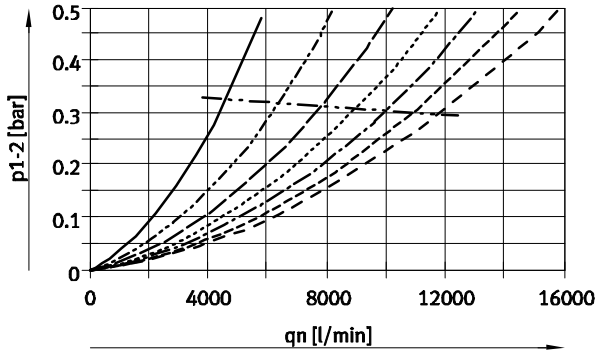
Technical data



## Standard flow rate $q_n$ as a function of the differential pressure $p_{1-2}$

Grade of filtration 0.01  $\mu\text{m}$ , pneumatic connection  $G\frac{3}{4}/NPT\frac{3}{4}$

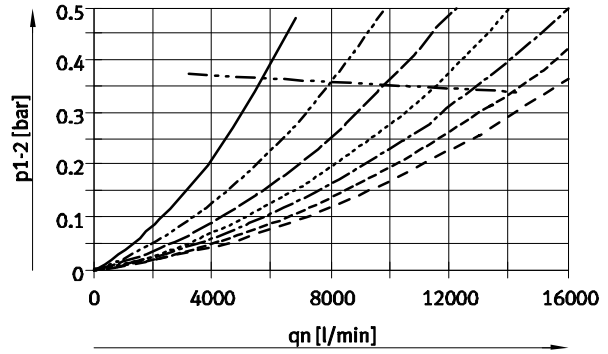
High flow rate HF



- 2 bar
- - - 4 bar
- · - 6 bar ( $q_{n \text{ min}}$ : 390 l/min)
- · · 8 bar
- - - - 10 bar
- - - - 12 bar
- · - · 14 bar
- - - · -  $q_n \text{ max}$

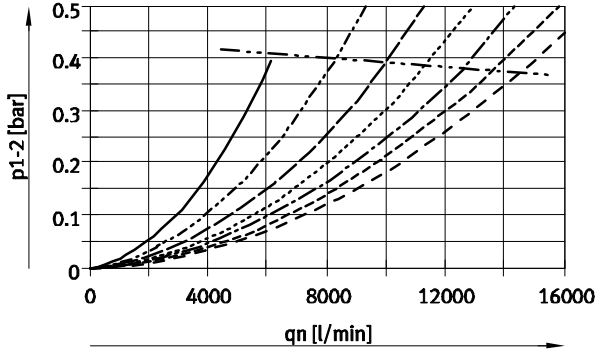
Grade of filtration 0.01  $\mu\text{m}$ , pneumatic connection G1/NPT1

High flow rate HF



Grade of filtration 1  $\mu\text{m}$ , pneumatic connection  $G\frac{3}{4}/NPT\frac{3}{4}$

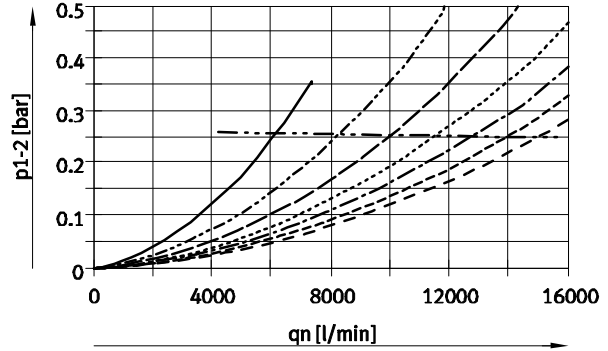
High flow rate HF



- 2 bar
- - - 4 bar
- · - 6 bar ( $q_{n \text{ min}}$ : 500 l/min)
- · · 8 bar
- - - - 10 bar
- - - - 12 bar
- · - · 14 bar
- - - · -  $q_n \text{ max}$

Grade of filtration 1  $\mu\text{m}$ , pneumatic connection G1/NPT1

High flow rate HF



# Fine and micro filters MS9-LFM, MS series

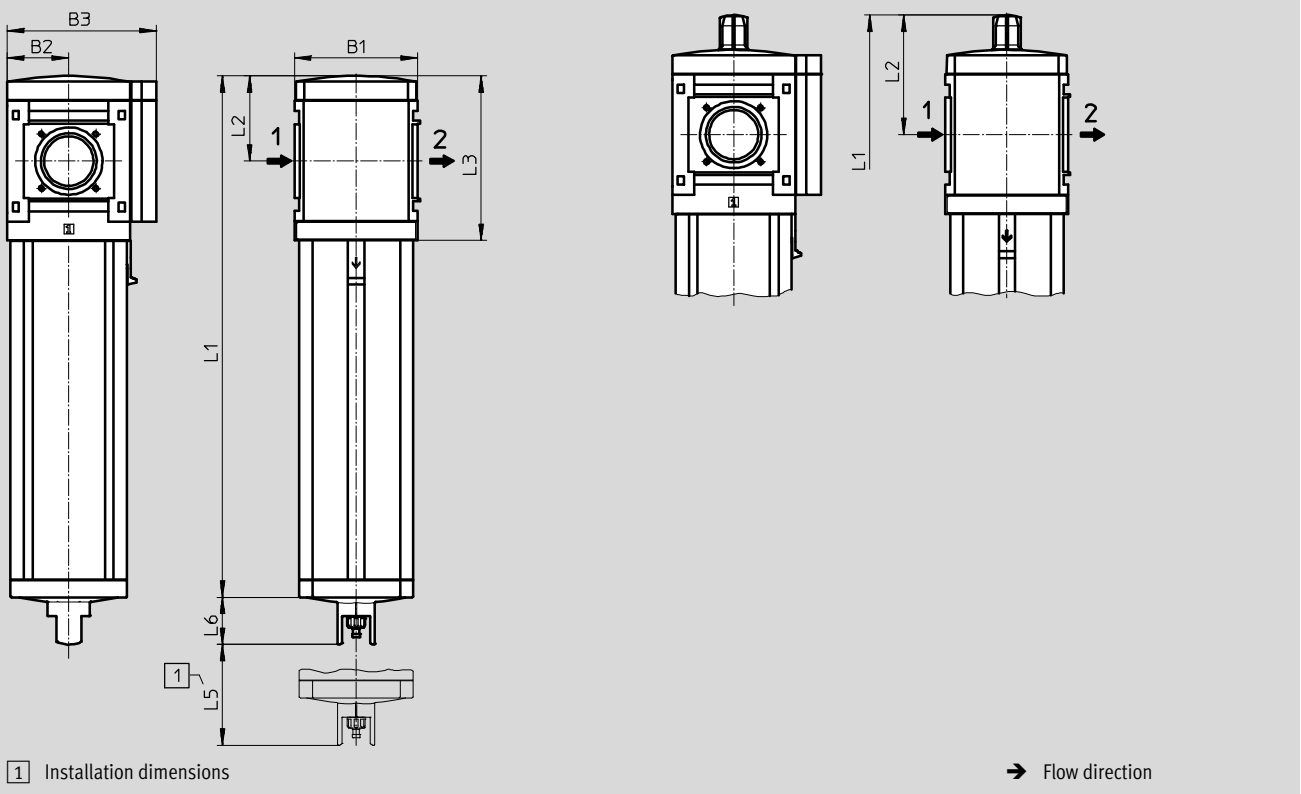
Technical data

## Dimensions – Basic version

Download CAD data → [www.festo.com](http://www.festo.com)

Module without connecting thread, without connecting plate G

Module without connecting thread, without connecting plate G, with differential pressure indicator DA



Type	B1	B2	B3	L1		L2	L3	L5	L6
				Standard	High flow rate HF				
MS9-LFM-G	90	45	109	380.5	480.5	62	120	50	34.5
MS9-LFM-G-...-DA				405.5	505.5	88			

# Fine and micro filters MS9-LFM, MS series

Technical data

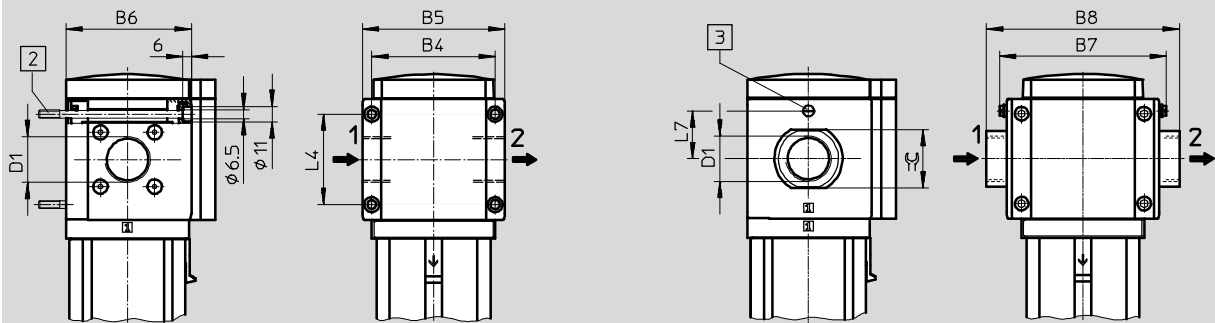


## Dimensions – Connecting thread/connecting plate

Download CAD data → [www.festo.com](http://www.festo.com)

With female thread 3/4/1/N3/4/N1

With connecting plate AG.../AQ...



2 Mounting screw M6xmin.90 to DIN 912 (not included in scope of delivery) for wall mounting without mounting bracket

3 Earthing screw M4x8 (only with MS9-...-EX4)

→ Flow direction

Type	B4	B5	B6	B7		B8	D1	L4	L7	⌀
					EX4				EX4	
MS9-LFM-3/4	90	104	91.5	-	-	-	G3/4	66	-	-
MS9-LFM-1							G1			
MS9-LFM-AGD	-	-	-	112	122	132	G1/2	-	35	30
MS9-LFM-AGE						132	G3/4			36
MS9-LFM-AGF						142	G1			41
MS9-LFM-AGG						162	G1 1/4			50
MS9-LFM-AGH						176	G1 1/2			55
MS9-LFM-N3/4						90	104			91.5
MS9-LFM-N1	NPT1-11 1/2									
MS9-LFM-AQR	-	-	-	112	122	132	NPT1/2-14	-	35	30
MS9-LFM-AQS						132	NPT3/4-14			36
MS9-LFM-AQT						142	NPT1-11 1/2			41
MS9-LFM-AQU						162	NPT1 1/4-11 1/2			50
MS9-LFM-AQV						176	NPT1 1/2-11 1/2			55

Note: This product conforms to ISO 1179-1 and to ISO 228-1



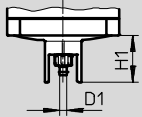
# Fine and micro filters MS9-LFM, MS series

Technical data

## Dimensions – Condensate drain

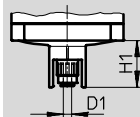
Download CAD data → [www.festo.com](http://www.festo.com)

Manual rotary M/fully automatic V



Barbed connector for plastic tubing PUN(-H)-8x1,25

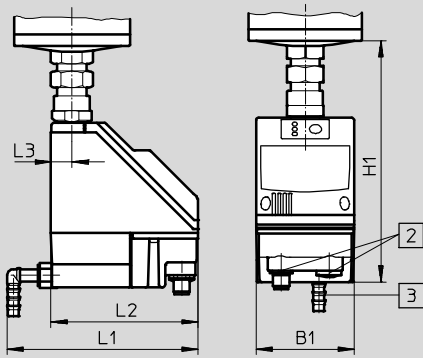
Semi-automatic H



Push-in connector for plastic tubing PUN-6/PAN-6

Fully automatic, electrically actuated E2/E3/E4

Technical data → Internet: [pwea](http://pwea.com)



Condensate drain PWEA:

- 2 Electrical connection: Screw terminal PG9
- 3 Connection 360° rotatable for plastic tubing PUN-H-12x2

Type	B1	D1	H1	L1	L2	L3
MS9-LFM-...-M/V	-	5.6	34.5	-	-	-
MS9-LFM-...-H		6.2				
MS9-LFM-...-E2/E3/E4	72	-	178	140	108	15

# Fine and micro filters MS9-LFM, MS series

Technical data

Ordering data						
Without differential pressure indicator						
Size	Condensate drain	Connection	Micro filter		Fine filter	
			Grade of filtration 0.01 µm		Grade of filtration 1 µm	
			Part No.	Type	Part No.	Type
Standard						
MS9	Manual rotary	G $\frac{3}{4}$	553070	MS9-LFM- $\frac{3}{4}$ -AUM	553074	MS9-LFM- $\frac{3}{4}$ -BUM
		G1	553000	MS9-LFM-1-AUM	553004	MS9-LFM-1-BUM
		–	564047	MS9-LFM-G-AUM	564039	MS9-LFM-G-BUM
	Fully automatic	G $\frac{3}{4}$	553072	MS9-LFM- $\frac{3}{4}$ -AUV	553076	MS9-LFM- $\frac{3}{4}$ -BUV
		G1	553002	MS9-LFM-1-AUV	553006	MS9-LFM-1-BUV
		–	564049	MS9-LFM-G-AUV	564041	MS9-LFM-G-BUV
High flow rate						
MS9	Manual rotary	G $\frac{3}{4}$	552964	MS9-LFM- $\frac{3}{4}$ -AUM-HF	552968	MS9-LFM- $\frac{3}{4}$ -BUM-HF
		G1	553038	MS9-LFM-1-AUM-HF	553042	MS9-LFM-1-BUM-HF
		–	564051	MS9-LFM-G-AUM-HF	564043	MS9-LFM-G-BUM-HF
	Fully automatic	G $\frac{3}{4}$	552966	MS9-LFM- $\frac{3}{4}$ -AUV-HF	552970	MS9-LFM- $\frac{3}{4}$ -BUV-HF
		G1	553040	MS9-LFM-1-AUV-HF	553044	MS9-LFM-1-BUV-HF
		–	564053	MS9-LFM-G-AUV-HF	564045	MS9-LFM-G-BUV-HF

Ordering data						
With differential pressure indicator						
Size	Condensate drain	Connection	Micro filter		Fine filter	
			Grade of filtration 0.01 µm		Grade of filtration 1 µm	
			Part No.	Type	Part No.	Type
Standard						
MS9	Manual rotary	G $\frac{3}{4}$	553078	MS9-LFM- $\frac{3}{4}$ -AUM-DA	553082	MS9-LFM- $\frac{3}{4}$ -BUM-DA
		G1	553008	MS9-LFM-1-AUM-DA	553012	MS9-LFM-1-BUM-DA
		–	564048	MS9-LFM-G-AUM-DA	564040	MS9-LFM-G-BUM-DA
	Fully automatic	G $\frac{3}{4}$	553080	MS9-LFM- $\frac{3}{4}$ -AUV-DA	553084	MS9-LFM- $\frac{3}{4}$ -BUV-DA
		G1	553010	MS9-LFM-1-AUV-DA	553014	MS9-LFM-1-BUV-DA
		–	564050	MS9-LFM-G-AUV-DA	564042	MS9-LFM-G-BUV-DA
High flow rate						
MS9	Manual rotary	G $\frac{3}{4}$	552972	MS9-LFM- $\frac{3}{4}$ -AUM-HF-DA	552976	MS9-LFM- $\frac{3}{4}$ -BUM-HF-DA
		G1	553046	MS9-LFM-1-AUM-HF-DA	553050	MS9-LFM-1-BUM-HF-DA
		–	564052	MS9-LFM-G-AUM-HF-DA	564044	MS9-LFM-G-BUM-HF-DA
	Fully automatic	G $\frac{3}{4}$	552974	MS9-LFM- $\frac{3}{4}$ -AUV-HF-DA	552978	MS9-LFM- $\frac{3}{4}$ -BUV-HF-DA
		G1	553048	MS9-LFM-1-AUV-HF-DA	553052	MS9-LFM-1-BUV-HF-DA
		–	564054	MS9-LFM-G-AUV-HF-DA	564046	MS9-LFM-G-BUV-HF-DA

# Fine and micro filters MS9-LFM, MS series

Ordering data – Modular products

Ordering table						
Grid dimension	[mm]	90	Condi- tions	Code	Enter code	
<b>M</b>	Module No.	<b>552940</b>				
	Series	Standard service unit		<b>MS</b>	MS	
	Size	9		<b>9</b>	9	
	Function	Fine and micro filter		<b>-LFM</b>	-LFM	
	Pneumatic connection	Female thread G $\frac{3}{4}$	<input type="checkbox"/> 1	<b>-<math>\frac{3}{4}</math></b>		
		Female thread G1	<input type="checkbox"/> 1	<b>-1</b>		
		Connecting plate G $\frac{1}{2}$		<b>-AGD</b>		
		Connecting plate G $\frac{3}{4}$		<b>-AGE</b>		
		Connecting plate G1		<b>-AGF</b>		
		Connecting plate G1 $\frac{1}{4}$		<b>-AGG</b>		
		Connecting plate G1 $\frac{1}{2}$		<b>-AGH</b>		
		Female thread NPT $\frac{3}{4}$	<input type="checkbox"/> 1	<b>-N<math>\frac{3}{4}</math></b>		
		Female thread NPT1	<input type="checkbox"/> 1	<b>-N1</b>		
		Connecting plate NPT $\frac{1}{2}$	<input type="checkbox"/> 1	<b>-AQR</b>		
		Connecting plate NPT $\frac{3}{4}$	<input type="checkbox"/> 1	<b>-AQS</b>		
		Connecting plate NPT1	<input type="checkbox"/> 1	<b>-AQT</b>		
		Connecting plate NPT1 $\frac{1}{4}$	<input type="checkbox"/> 1	<b>-AQU</b>		
		Connecting plate NPT1 $\frac{1}{2}$	<input type="checkbox"/> 1	<b>-AQV</b>		
		Module without connecting thread, without connecting plate	<input type="checkbox"/> 1	<b>-G</b>		
		Grade of filtration	1 $\mu$ m		<b>-B</b>	
	0.01 $\mu$ m			<b>-A</b>		
	Bowl	Metal bowl		<b>-U</b>	-U	
	Condensate drain	Manual		<b>-M</b>		
		Semi-automatic (P1 max. 12 bar)		<b>-H</b>		
		Fully automatic (P1 max. 12 bar)		<b>-V</b>		
		External, fully automatic, electric	110 V AC, terminal strip (P1 max. 16 bar)	<input type="checkbox"/> 1	<b>-E2</b>	
			230 V AC, terminal strip (P1 max. 16 bar)	<input type="checkbox"/> 1	<b>-E3</b>	
	24 V DC, terminal strip (P1 max. 16 bar)		<input type="checkbox"/> 1	<b>-E4</b>		
<b>O</b>	Flow rate	High flow rate		<b>-HF</b>		
	Filter contamination sensor	Differential pressure indicator, visual		<b>-DA</b>		
	Type of mounting	Mounting bracket standard design	<input type="checkbox"/> 2	<b>-WP</b>		
		Mounting bracket for attaching the service units	<input type="checkbox"/> 1 <input type="checkbox"/> 2	<b>-WPM</b>		
		Wall mounting bracket for large wall gap	<input type="checkbox"/> 2	<b>-WPB</b>		
	EU certification	II 2GD to EU Explosion Protection Directive (ATEX)		<b>-EX4</b>		
	UL certification	cULus, ordinary location for Canada and USA		<b>-UL1</b>		
	Flow direction	Flow direction from right to left		<b>-Z</b>		

$\frac{3}{4}$ , 1, N $\frac{3}{4}$ , N1, AQR, AQS, AQT, AQU, AQV, G, E2, E3, E4, WPM

Not with EU certification EX4

**WP, WPM, WPB** Not with pneumatic connection G

**M** Mandatory data

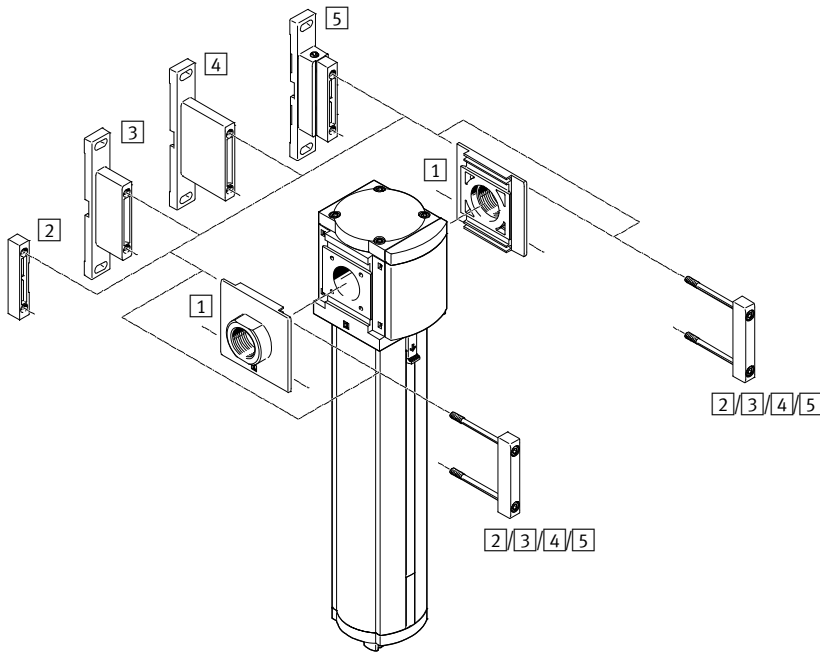
**O** Options


### Transfer order code

**552940** **MS** **9** - **LFM** -  -  - **U** -  -  -  -  -  -  -  -  -  -  -  -

# Activated carbon filters MS9-LFX, MS series

Peripherals overview



-  - Note  
 Other accessories:  
 - Module connector for combination with size MS6, MS9 or MS12  
 → Internet: rmv, armv

Mounting attachments and accessories						
		Individual device		Combination		→ Page/ Internet
		With female thread 3/4/1/N3/4/N1	With connecting plate AG.../AQ... Without EU certification EX4	With EU certification EX4	Module without connecting thread, without connecting plate G	
1	Connecting plate-SET MS9-AG...	-	■	■	■	ms9-ag
	Connecting plate-SET MS9-AQ...	-	■	-	■	ms9-aq
2	Module connector MS9-MV	-	-	-	■	ms9-mv
3	Mounting bracket MS9-WP	■	■	■	■	ms9-wp
4	Mounting bracket MS9-WPB	■	■	■	■	ms9-wp
5	Mounting bracket MS9-WPM	■	■	-	■	ms9-wp

# Activated carbon filters MS9-LFX, MS series

Type codes

MS 9 - LFX - 3/4 - U

**Series**

MS	Standard service unit
----	-----------------------

**Size**

9	Grid dimension 90 mm
---	----------------------

**Service function**

LFX	Activated carbon filter
-----	-------------------------

**Pneumatic connection**

3/4	Thread G3/4
1	Thread G1
G	Module without connecting thread, without connecting plate

**Bowl guard**

U	Integrated as metal bowl
---	--------------------------

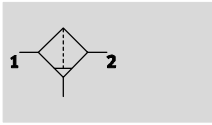
Further variants can be ordered using the modular system → 66

- Pneumatic connection
- Type of mounting
- EU certification
- UL certification
- Flow direction

# Activated carbon filters MS9-LFX, MS series

FESTO

Technical data



- - Flow rate  
max. 6,500 l/min
- - Temperature range  
-10 ... +60 °C
- - Operating pressure  
0 ... 20 bar



- Removal of liquid and gaseous oil particles from compressed air using activated carbon
- Eliminates odours and vapours
- Prefiltration with micro filter MS9-LFM-A, grade of filtration 0.01 µm, recommended
- Optional device variant EX4 for use in potentially explosive areas in zones 1, 2, 21 and 22
- New filter cartridges → 90

General technical data	
Size	MS9
Pneumatic connection 1, 2	
Female thread	G3/4, G1, NPT3/4 or NPT1
Connecting plate AG...	G1/2, G3/4, G1, G1 1/4 or G1 1/2
Connecting plate AQ...	NPT1/2, NPT3/4, NPT1, NPT1 1/4 or NPT1 1/2
Module without connecting thread/plate G	-
Constructional design	Activated carbon filter
Type of mounting	Via accessories In-line installation
Installation position	Vertical ±5°
Air purity class at the output <sup>1)</sup>	Compressed air in accordance with ISO 8573-1:2010 [1:4:1]
Bowl guard	Integrated as metal bowl
Residual oil content [mg/m <sup>3</sup> ]	≤0.003

1) It is recommended to replace filter cartridges after 1,000 operating hours (applies to an ambient temperature of 21 °C). The service life of a filter cartridge is reduced at higher temperatures.  
 - - Note: This product conforms to ISO 1179-1 and to ISO 228-1

Standard flow rate $q_n^{1)}$ [l/min]	
Max. standard flow rate for air purity class $q_{n \max}$	6,500

1) Measured at  $p_1 = 6 \text{ bar}$

Operating and environmental conditions		
Operating pressure [bar]		0 ... 20
Operating medium		Compressed air in accordance with ISO 8573-1:2010 [1:4:2]
Ambient temperature [°C]		-10 ... +60
Temperature of medium [°C]		+5 ... +30
Storage temperature [°C]		-10 ... +60
Corrosion resistance class CRC <sup>1)</sup>		2
UL certification		cULus recognized (OL)

1) Corrosion resistance class CRC 2 to Festo standard FN 940070  
 Moderate corrosion stress. Indoor applications in which condensation may occur. External visible parts with primarily decorative requirements for the surface and which are in direct contact with the ambient atmosphere typical for industrial applications.

# Activated carbon filters MS9-LFX, MS series

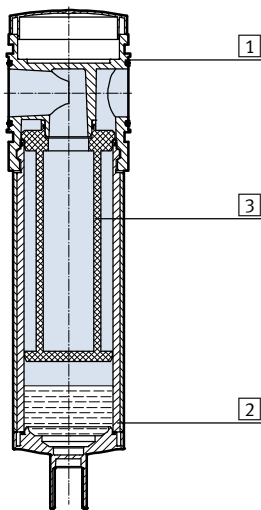
Technical data

ATEX	
EU certification	EX4
ATEX category gas	II 2G
Ex-ignition protection type gas	c T6 X
ATEX category dust	II 2D
EX-ignition protection type dust	c T60 °C X
ATEX ambient temperature	-10 °C ≤ Ta ≤ +60 °C
CE mark (see declaration of conformity)	To EU Explosion Protection Directive (ATEX)

Weights [g]	
Activated carbon filter	2,000

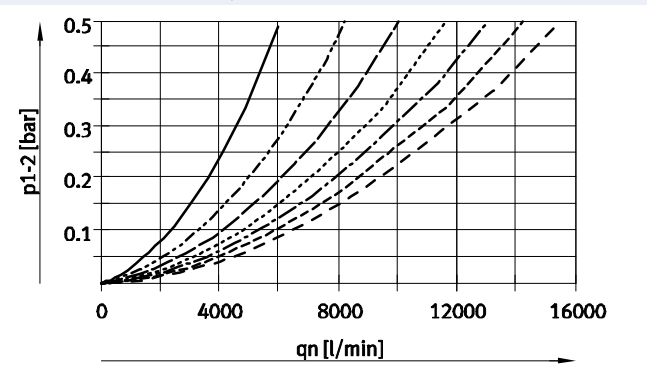
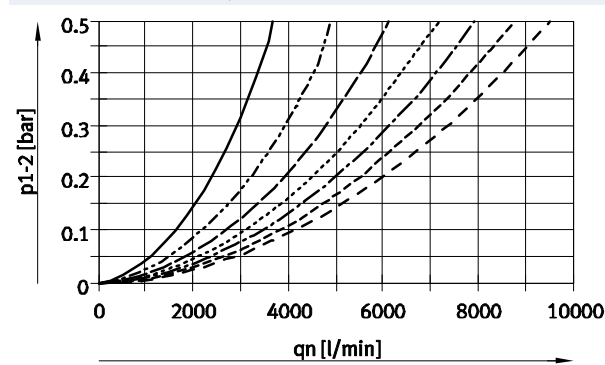
## Materials

Sectional view



Activated carbon filter		
1	Housing	Die-cast aluminium
2	Bowl	Wrought aluminium alloy
	Inspection window	PA
3	Filter	Activated carbon
-	Cover	PA reinforced
-	Connecting plate, module connector, mounting bracket	Die-cast aluminium
-	Seals	NBR
	Note on materials	Free of copper and PTFE

## Standard flow rate qn as a function of the differential pressure p1-2



- 2 bar
- - - 4 bar
- · - 6 bar
- · · 8 bar
- - - - 10 bar
- - - - 12 bar
- · - · 14 bar

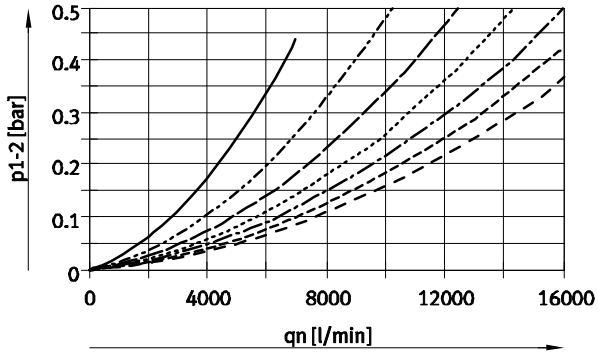
# Activated carbon filters MS9-LFX, MS series

Technical data

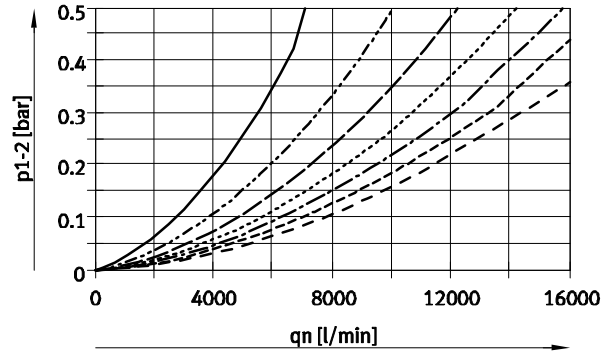
FESTO

## Standard flow rate $q_n$ as a function of the differential pressure $p_{1-2}$

Pneumatic connection G1/NPT1



Pneumatic connection G1½/NPT1½

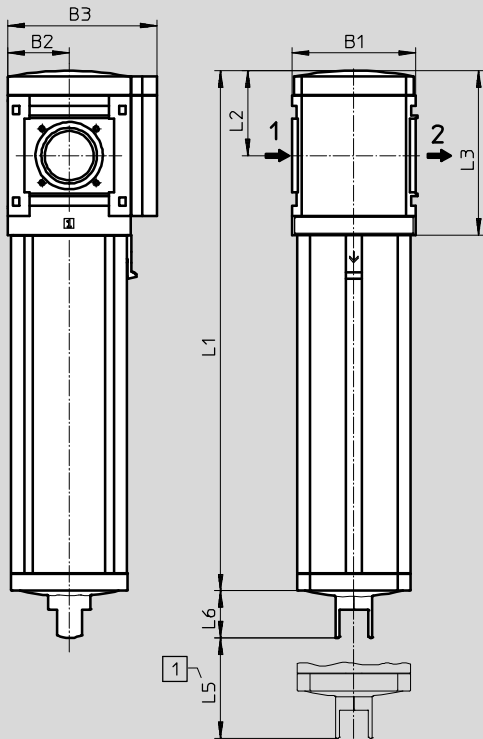


- 2 bar
- - - 4 bar
- · - 6 bar
- · · 8 bar
- - - - 10 bar
- · - · 12 bar
- · - · · 14 bar

## Dimensions – Basic version

Download CAD data → [www.festo.com](http://www.festo.com)

Module without connecting thread, without connecting plate G



1 Installation dimensions

→ Flow direction

Type	B1	B2	B3	L1	L2	L3	L5	L6
MS9-LFX-G	90	45	109	380.5	62	120	50	34.5



# Activated carbon filters MS9-LFX, MS series

Technical data

**Dimensions – Connecting thread/connecting plate** Download CAD data → [www.festo.com](http://www.festo.com)

With female thread 3/4/1/N3/4/N1 With connecting plate AG.../AQ...

2 Mounting screw M6xmin.90 to DIN 912 (not included in scope of delivery) for wall mounting without mounting bracket
 
3 Earthing screw M4x8 (only with MS9-...-EX4)
 
→ Flow direction

Type	B4	B5	B6	B7		B8	D1	L4	L7		☐
					EX4					EX4	
MS9-LFX-3/4	90	104	91.5	-	-	-	G3/4	66	-	-	
MS9-LFX-1							G1				
MS9-LFX-AGD	-	-	-	112	122	132	G1/2	-	35	-	30
MS9-LFX-AGE							G3/4				36
MS9-LFX-AGF							G1				41
MS9-LFX-AGG							G1 1/4				50
MS9-LFX-AGH							G1 1/2				55
MS9-LFX-N3/4							90				104
MS9-LFX-N1	NPT1-11 1/2										
MS9-LFX-AQR	-	-	-	112	122	132	NPT1/2-14	-	35	-	30
MS9-LFX-AQS							NPT3/4-14				36
MS9-LFX-AQT							NPT1-11 1/2				41
MS9-LFX-AQU							NPT1 1/4-11 1/2				50
MS9-LFX-AQV							NPT1 1/2-11 1/2				55

• Note: This product conforms to ISO 1179-1 and to ISO 228-1

Ordering data			
Size	Connection	Part No.	Type
MS9	G3/4	552996	MS9-LFX-3/4-U
	G1	553032	MS9-LFX-1-U
	-	564038	MS9-LFX-G-U

# Activated carbon filters MS9-LFX, MS series

Ordering data – Modular products

Ordering table		Grid dimension [mm]	90	Condi- tions	Code	Enter code
<b>M</b>	Module No.	552942				
	Series	Standard service unit			<b>MS</b>	MS
	Size	9			<b>9</b>	9
	Function	Activated carbon filter			<b>-LFX</b>	-LFX
	Pneumatic connection	Female thread G $\frac{3}{4}$		1	<b>-<math>\frac{3}{4}</math></b>	
		Female thread G1		1	<b>-1</b>	
		Connecting plate G $\frac{1}{2}$			<b>-AGD</b>	
		Connecting plate G $\frac{3}{4}$			<b>-AGE</b>	
		Connecting plate G1			<b>-AGF</b>	
		Connecting plate G1 $\frac{1}{4}$			<b>-AGG</b>	
		Connecting plate G1 $\frac{1}{2}$			<b>-AGH</b>	
		Female thread NPT $\frac{3}{4}$		1	<b>-N<math>\frac{3}{4}</math></b>	
		Female thread NPT1		1	<b>-N1</b>	
		Connecting plate NPT $\frac{1}{2}$		1	<b>-AQR</b>	
		Connecting plate NPT $\frac{3}{4}$		1	<b>-AQS</b>	
		Connecting plate NPT1		1	<b>-AQT</b>	
		Connecting plate NPT1 $\frac{1}{4}$		1	<b>-AQU</b>	
		Connecting plate NPT1 $\frac{1}{2}$		1	<b>-AQV</b>	
		Module without connecting thread, without connecting plate		1	<b>-G</b>	
		Bowl	Metal bowl			<b>-U</b>
<b>O</b>	Type of mounting	Mounting bracket standard design		2	<b>-WP</b>	
		Mounting bracket for attaching the service units		1 2	<b>-WPM</b>	
		Wall mounting bracket for large wall gap		2	<b>-WPB</b>	
	EU certification	II 2GD to EU Explosion Protection Directive (ATEX)			<b>-EX4</b>	
	UL certification	cULus, ordinary location for Canada and USA			<b>-UL1</b>	
	Flow direction	Flow direction from right to left			<b>-Z</b>	

1  $\frac{3}{4}$ , 1, N $\frac{3}{4}$ , N1, AQR, AQS, AQT, AQU, AQV, G, WPM

Not with EU certification EX4

2 **WP, WPM, WPB** Not with pneumatic connection G

**M** Mandatory data

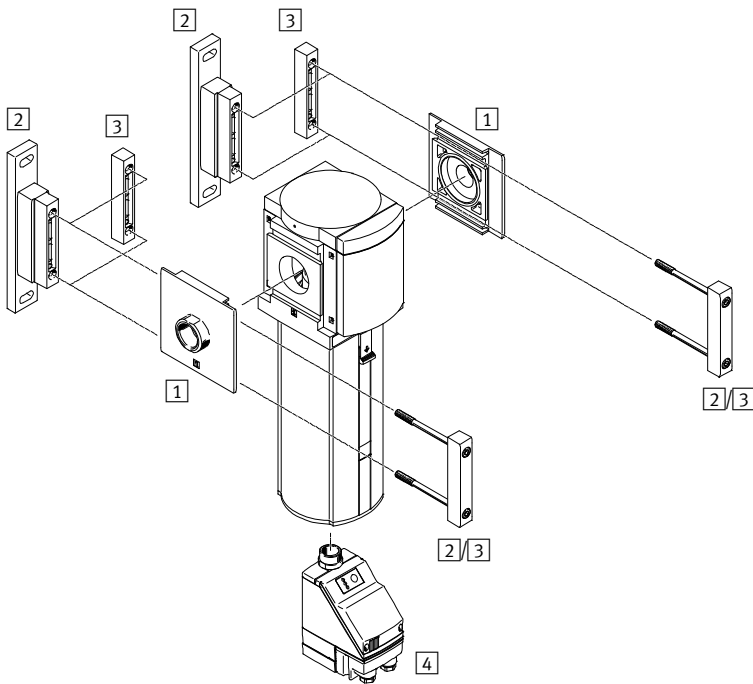
**O** Options


Transfer order code

552942 MS 9 - LFX - [ ] - U - [ ] - [ ] - [ ] - [ ]

# Filters MS12-LF, MS series

Peripherals overview



-  - Note  
 Additional accessories:  
 - Module connector for combination with size MS9 → Internet: armv

Mounting attachments and accessories		→ Page/Internet
1	Connecting plate-SET MS12-AG...	ms12-ag
2	Mounting bracket MS12-WP	ms12-wp
3	Module connector MS12-MV	ms12-mv
4	Condensate drain, fully automatic, electrically actuated E2/E3/E4	73

# Filters MS12-LF, MS series

Type codes

FESTO

		MS	12	-	LF	-	G	-	C	U	V
<b>Series</b>											
MS	Standard service unit										
<b>Size</b>											
12	Grid dimension 124 mm										
<b>Service function</b>											
LF	Filter										
<b>Connection size</b>											
G	Module without connecting thread, without connecting plate Connecting plates → Accessories										
<b>Grade of filtration</b>											
C	5 µm										
E	40 µm										
<b>Bowl guard</b>											
U	Integrated as metal bowl										
<b>Condensate drain</b>											
V	Fully automatic										

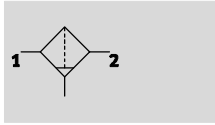
Further variants can be ordered using the modular system → 73

- Pneumatic connection
- Condensate drain
- Type of mounting
- Flow direction

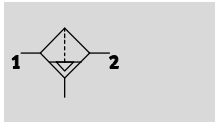
# Filters MS12-LF, MS series




## Technical data

Function  
Condensate drain  
manual rotary



fully automatic




-  - Flow rate  
11,500 ... 16,000 l/min
-  - Temperature range  
-10 ... +60 °C
-  - Operating pressure  
0.8 ... 20 bar



The sintered filter with centrifugal separation removes contamination, rust and condensate from the compressed air. The filter cartridges are replaceable.


- Good particle and condensate separation
- High flow rate with minimal pressure drop
- Available with manual, fully automatic or fully automatic, electrically actuated condensate drain
- Choice of filter cartridges: 5 µm or 40 µm
- New filter cartridges → 91

General technical data	
Pneumatic connection 1, 2	
Connecting plate AG...	G1, G1¼, G1½ or G2
Module without connecting thread/plate G	–
Design	Sintered filter with centrifugal separation
Type of mounting	Via accessories In-line installation
Assembly position	Vertical ±5°
Grade of filtration [µm]	5 40
Air purity class at the output	Compressed air in accordance with ISO 8573-1:2010 [6:8:4] (Grade of filtration 5 µm) Compressed air in accordance with ISO 8573-1:2010 [7:8:4] (Grade of filtration 40 µm)
Bowl guard	Integrated as metal bowl
Condensate drain	Manual rotary Fully automatic Fully automatic, electrical actuated
Max. condensate volume [cm³]	400

-  - Note: This product conforms to ISO 1179-1 and to ISO 228-1

Standard nominal flow rate q <sub>nN</sub> <sup>1)</sup> [l/min]					
Pneumatic connection		G1	G1¼	G1½	G2
Grade of filtration	5 µm	11,500	12,500	13,500	14,000
	40 µm	12,500	13,000	14,000	16,000

1) Dependent on connecting plate selected, must be ordered separately as an accessory → Internet: ms12-ag  
Measured at p<sub>1</sub> = 6 bar and Δp = 0.5 bar

-  - 125 l/min must be available for the fully automatic condensate drain to close correctly.

# Filters MS12-LF, MS series

Technical data

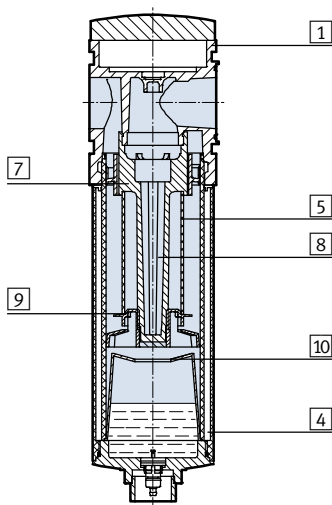
Operating and environmental conditions			
Condensate drain	Manual rotary M	Fully automatic V	Fully automatic, electrical actuated E2/E3/E4
Operating pressure [bar]	0.8 ... 20	2 ... 12	0.8 ... 16
Operating medium	Compressed air in accordance with ISO 8573-1:2010 [-:9:-]	Compressed air in accordance with ISO 8573-1:2010 [7:9:-]	Compressed air in accordance with ISO 8573-1:2010 [-:9:-]
	Inert gases		
Ambient temperature [°C]	-10 ... +60	+5 ... +60	+1 ... +60
Temperature of medium [°C]	-10 ... +60	+5 ... +60	+1 ... +60
Storage temperature [°C]	-10 ... +60	-10 ... +60	+1 ... +60
Corrosion resistance CRC <sup>1)</sup>	2		

1) Corrosion resistance class CRC 2 to Festo standard FN 940070  
Moderate corrosion stress. Indoor applications in which condensation may occur. External visible parts with primarily decorative requirements for the surface and which are in direct contact with the ambient atmosphere typical for industrial applications.

Weights [g]	
Filter with metal bowl U	6,500
Filter with metal bowl U and fully automatic, electrically actuated condensate drain E2/E3/E4	7,200

## Materials

Sectional view



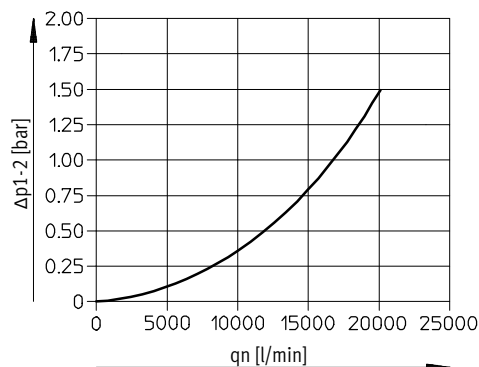
Filter		
1	Body	Die-cast aluminium
4	Metal bowl	Wrought aluminium alloy
5	Filter element	Sintered bronze
7	Spin disc	POM
8	Filter holder	POM
9	Separating plate	POM
10	Stabilising disc	POM
-	Seals	NBR

## Standard flow rate qn as a function of the differential pressure Δp1-2

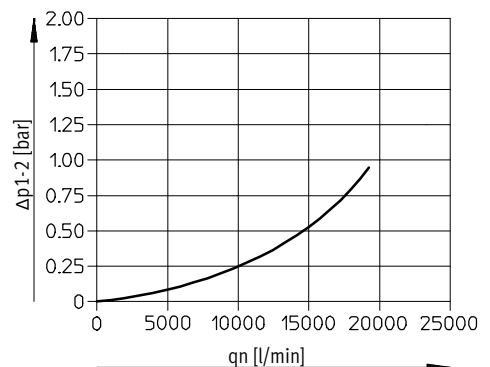
Grade of filtration 5 μm

p1 = 6 bar

With connecting plate MS12-AGF  
Pneumatic connection G1



With connecting plate MS12-AGI  
Pneumatic connection G2



# Filters MS12-LF, MS series

Technical data

## Standard flow rate $q_n$ as a function of the differential pressure $\Delta p_{1-2}$

Grade of filtration 40  $\mu\text{m}$

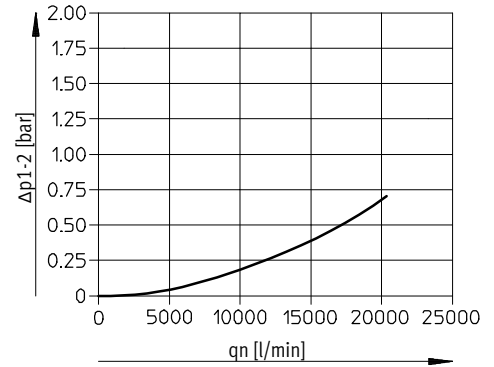
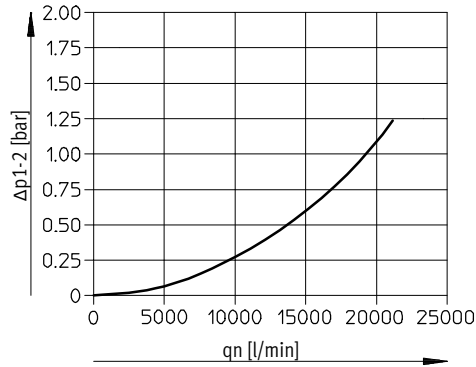
With connecting plate MS12-AGF

Pneumatic connection G1

With connecting plate MS12-AGI

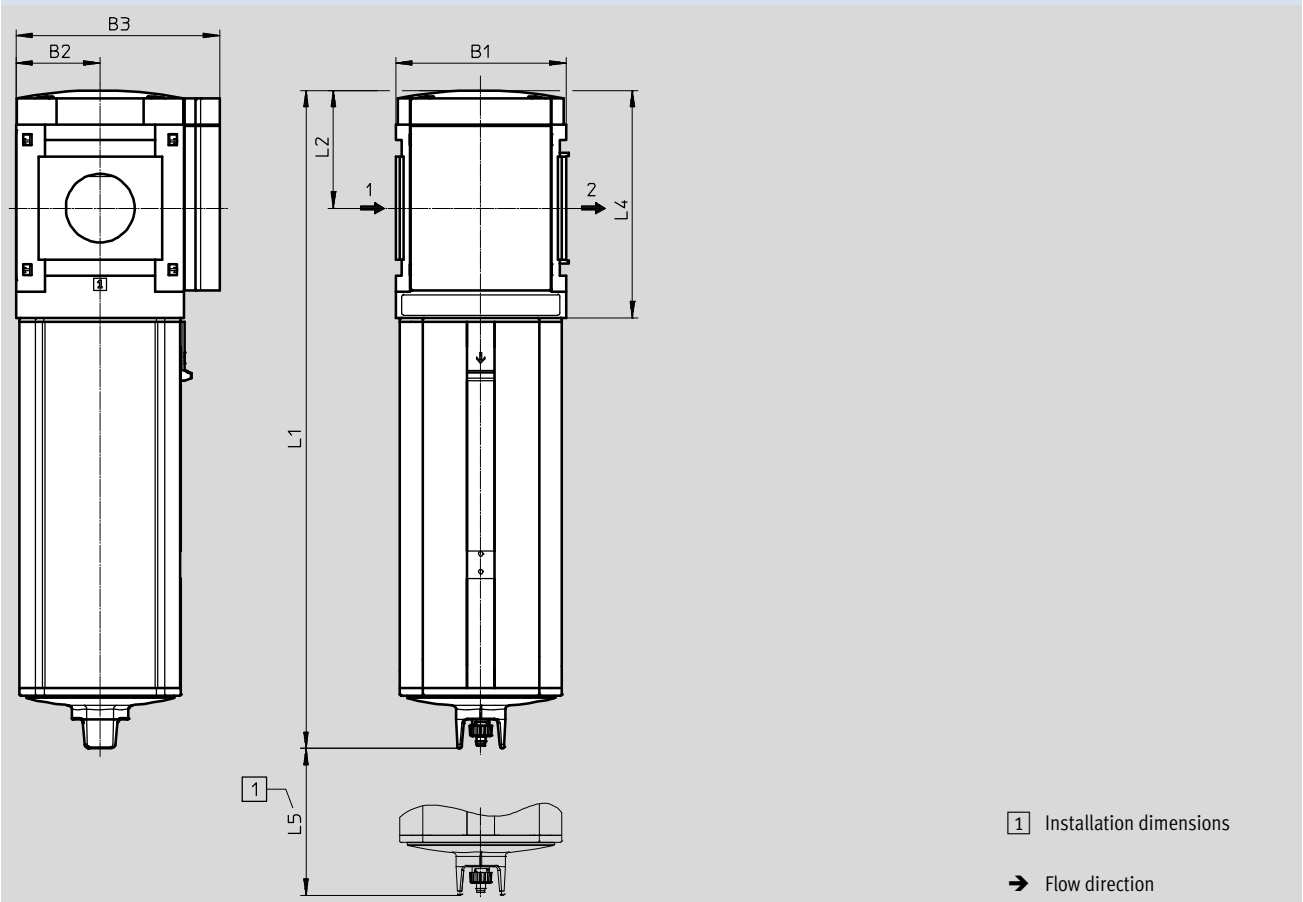
Pneumatic connection G2

$p_1 = 6 \text{ bar}$



## Dimensions – Basic version

Download CAD data → [www.festo.com](http://www.festo.com)



Type	B1	B2	B3	L1	L2	L4	L5
MS12-LF	124	61	148	480	86	166	250

# Filters MS12-LF, MS series

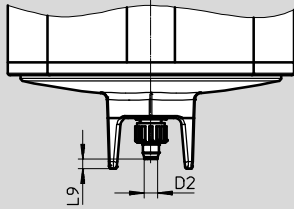
Technical data



## Dimensions – Condensate drain

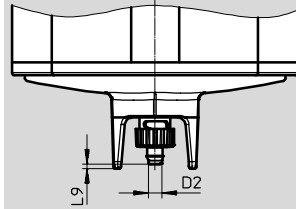
Download CAD data → [www.festo.com](http://www.festo.com)

### Manual rotary M



Barbed connector for plastic tubing PUN(-H)-8x1,25

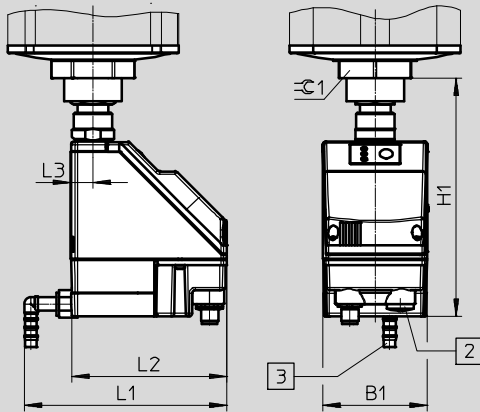
### Fully automatic V



Barbed connector for plastic tubing PUN(-H)-8x1,25

### Fully automatic, electrically actuated E2/E3/E4

Technical data → Internet: [pwea](http://pwea)



#### Condensate drain PWEA:

- 2 Electrical connection: Screw terminal PG9
- 3 Connection 360° rotatable for plastic tubing PUN-H-12x2

Type	B1	D2 Ø	H1	L1	L2	L3	L9	≙ 1
MS12-LF-...-M	-	5.6	-	-	-	-	4	-
MS12-LF-...-V	-	5.6	-	-	-	-	2	-
MS12-LF-...-E2/E3/E4	72	-	164	140	108	15	-	50

## Ordering data

### Metal bowl

Size	Condensate drain	Connection	Grade of filtration 5 µm		Grade of filtration 40 µm	
			Part No.	Type	Part No.	Type
MS12	fully automatic	G1 ... G2 <sup>1)</sup>	537152	MS12-LF-G-CUV	537151	MS12-LF-G-EUV

1) Connecting plate must be ordered separately as an accessory → Internet: [ms12-ag](http://ms12-ag)

- - Note: This product conforms to ISO 1179-1 and to ISO 228-1



# Filters MS12-LF, MS series

Ordering data – Modular products

Ordering table						
Grid dimension	[mm]	124	Condi- tions	Code	Enter code	
<b>M</b>	Module No.	<b>535023</b>				
	Series	Standard		<b>MS</b>	MS	
	Size	12		<b>12</b>	12	
	Function	Filter		<b>-LF</b>	-LF	
	Pneumatic connection	Connecting plate G1		<b>-AGF</b>		
		Connecting plate G1¼		<b>-AGG</b>		
		Connecting plate G1½		<b>-AGH</b>		
		Connecting plate G2		<b>-AGI</b>		
		Module without connecting thread, without connecting plate		<b>-G</b>		
	Grade of filtration	40 µm		<b>-E</b>		
		5 µm		<b>-C</b>		
	Bowl	Metal bowl		<b>-U</b>	-U	
	Condensate drain	Manual		<b>-M</b>		
		Fully automatic (P1 max. 12 bar)		<b>-V</b>		
		External, fully automatic, electric	110 V AC, terminals (P1 max. 16 bar)		<b>-E2</b>	
			230 V AC, terminals (P1 max. 16 bar)		<b>-E3</b>	
		24 V DC, terminals (P1 max. 16 bar)		<b>-E4</b>		
<b>O</b>	Type of mounting	Mounting bracket standard design	<b>1</b>	<b>-WP</b>		
	Flow direction	Flow direction from right to left		<b>-Z</b>		

**1 WP** Only with connecting plate AGF, AGG, AGH or AGI.

**M** Mandatory data

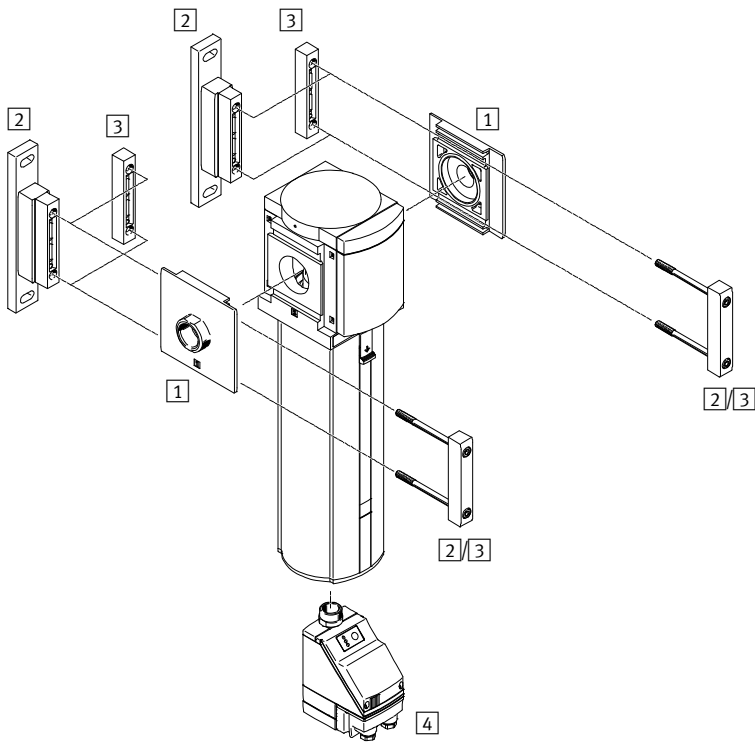
**O** Options

**Transfer order code**

535023 MS 12 - LF - [ ] - [ ] - U - [ ] - [ ] - [ ]

# Fine and micro filters MS12-LFM, MS series

Peripherals overview



Note  
 Additional accessories:  
 – Module connector for combination with size MS9 → Internet: armv

Mounting attachments and accessories		→ Page/Internet
1	Connecting plate-SET MS12-AG...	ms12-ag
2	Mounting bracket MS12-WP	ms12-wp
3	Module connector MS12-MV	ms12-mv
4	Condensate drain, fully automatic, electrically actuated E2/E3/E4	82

# Fine and micro filters MS12-LFM, MS series

Type codes

		MS	12	-	LFM	-	G	-	B	U	V
<b>Series</b>											
MS	Standard service unit										
<b>Size</b>											
12	Grid dimension 124 mm										
<b>Service function</b>											
LFM	Fine and micro filter										
<b>Connection size</b>											
G	Module without connecting thread, without connecting plate Connecting plates → Accessories										
<b>Grade of filtration</b>											
A	0.01 µm										
B	1 µm										
<b>Bowl guard</b>											
U	Integrated as metal bowl										
<b>Condensate drain</b>											
V	Fully automatic										

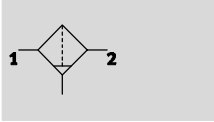
**Further variants can be ordered using the modular system → 82**




- Pneumatic connection
- Condensate drain
- Filter change sensor
- Type of mounting
- Flow direction

# Fine and micro filters MS12-LFM, MS series

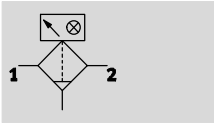
Technical data

Function  
 Condensate drain  
 manual rotary  
 without differential pressure indicator

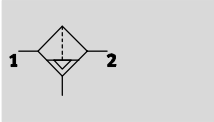


-  - Flow rate  
500 ... 50,000 l/min
-  - Temperature range  
-10 ... +60 °C
-  - Operating pressure  
0.8 ... 20 bar

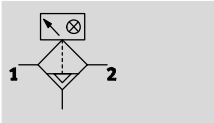
with differential pressure indicator



Condensate drain  
 fully automatic  
 without differential pressure indicator




with differential pressure indicator



- High-performance filter for exceptionally clean compressed air
- Air quality to ISO 8573-1:2010
- Available with manual, fully automatic or fully automatic, electrically actuated condensate drain
- Available with differential pressure indicator for optical indication of filter contamination
- Choice of filter cartridges: 0.01 µm or 1 µm
- New filter cartridges → 91

General technical data	
Pneumatic connection 1, 2	
Connecting plate AG...	G1, G1¼, G1½ or G2
Module without connecting thread/plate G	-
Design	Fibre filter
Type of mounting	Via accessories In-line installation
Assembly position	Vertical ±5°
Grade of filtration [µm]	0.01 (micro filter MS12-LFM-A) 1 (fine filter MS12-LFM-B)
Air purity class at the output	Compressed air in accordance with ISO 8573-1:2010 [1:7:2] (Grade of filtration 0.01µm, micro filter MS12-LFM-A) Compressed air in accordance with ISO 8573-1:2010 [5:7:3] (Grade of filtration 1µm, fine filter MS12-LFM-B)
Filter efficiency [%]	99.9999 (Grade of filtration 0.01µm, micro filter MS12-LFM-A) 99.99 (Grade of filtration 1µm, fine filter MS12-LFM-B)
Bowl guard	Integrated as metal bowl
Condensate drain	Manual rotary Fully automatic Fully automatic, electrical actuated
Max. condensate volume [cm³]	400

-  - Note: This product conforms to ISO 1179-1 and to ISO 228-1

# Fine and micro filters MS12-LFM, MS series

Technical data

Standard flow rate $q_n$ [l/min]				
Operating pressure	4 bar	6 bar	10 bar	14 bar
<b>Micro filter MS12-LFM-A</b>				
Max. standard flow rate for air purity class $q_{n \max}$	16,670	23,300	36,670	50,000
Min. standard flow rate for air purity class $q_{n \min}$	500	700	1,100	1,500
<b>Fine filter MS12-LFM-B</b>				
Max. standard flow rate for air purity class $q_{n \max}$	16,670	23,300	36,670	50,000
Min. standard flow rate for air purity class $q_{n \min}$	625	950	1,390	1,675

-  $\downarrow$  - 125 l/min must be available for the fully automatic condensate drain to close correctly.

Operating and environmental conditions			
Condensate drain	Manual rotary M	Fully automatic V	Fully automatic, electrical actuated E2/E3/E4
Operating pressure [bar]	0.8 ... 20	2 ... 12	0.8 ... 16
Operating medium	Compressed air in accordance with ISO 8573-1:2010 [6:8:4] <sup>1)</sup> Inert gases		
Ambient temperature [°C]	-10 ... +60	+5 ... +60	+1 ... +60
Temperature of medium [°C]	-10 ... +60	+5 ... +60	+1 ... +60
Storage temperature [°C]	-10 ... +60	-10 ... +60	+1 ... +60
Corrosion resistance CRC <sup>2)</sup>	2		

1) It is recommended to prefilter the compressed air for the micro filter MS-LFM-A using a fine filter MS-LFM-B (grade of filtration 1  $\mu$ m).

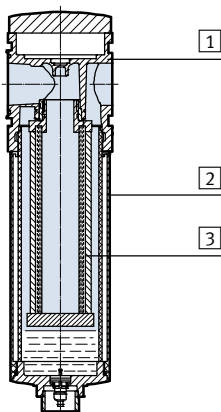
2) Corrosion resistance class CRC 2 to Festo standard FN 940070

Moderate corrosion stress. Indoor applications in which condensation may occur. External visible parts with primarily decorative requirements for the surface and which are in direct contact with the ambient atmosphere typical for industrial applications.

Weights [g]	
Fine and micro filter with metal bowl U	7,000
Fine and micro filter with metal bowl U and fully automatic, electrically actuated condensate drain E2/E3/E4	7,700

## Materials

Sectional view



Fine and micro filter	
1	Body Die-cast aluminium
2	Metal bowl Wrought aluminium alloy Viewing window PC
3	Filter element Borosilicate mesh
-	Seals NBR
Note on materials RoHS-compliant (not with variant E2, E3 or E4) Free of copper and PTFE	

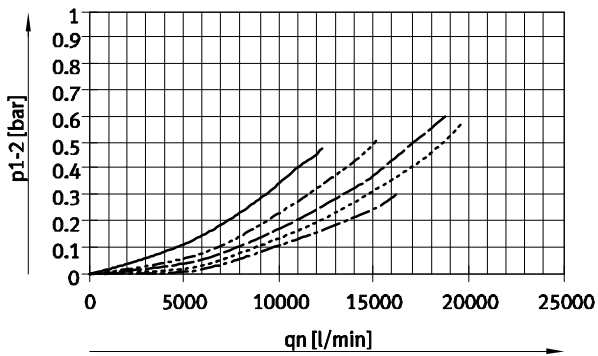
# Fine and micro filters MS12-LFM, MS series

Technical data

## Standard flow rate $q_n$ as a function of the differential pressure $p_{1-2}$

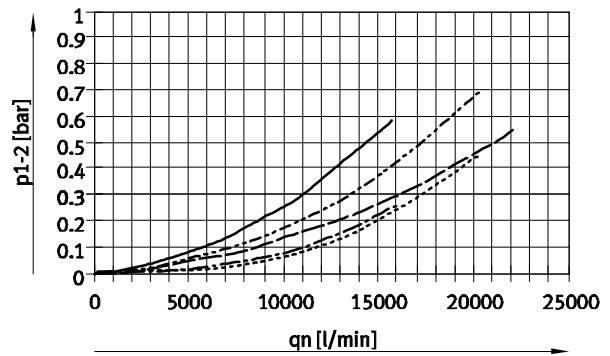
Grade of filtration 0.01  $\mu\text{m}$

With connecting plate MS12-AGF, Pneumatic connection G1



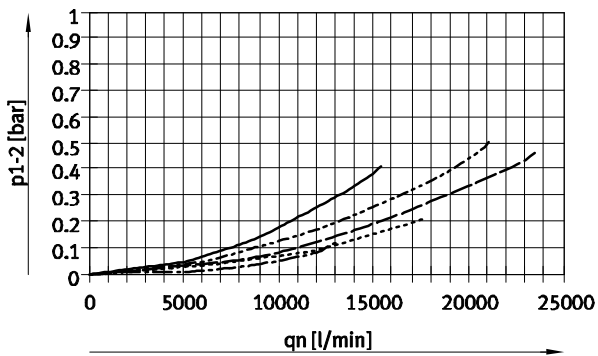
Grade of filtration 0.01  $\mu\text{m}$

With connecting plate MS12-AGG, Pneumatic connection G1¼



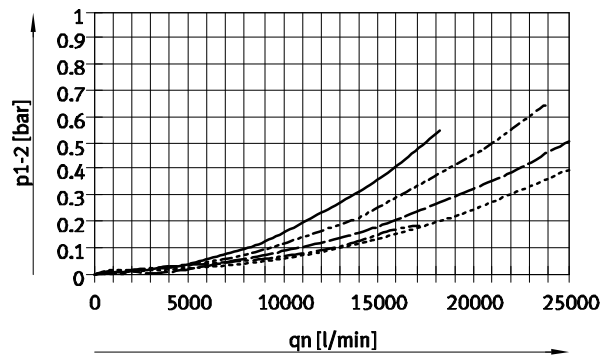
Grade of filtration 0.01  $\mu\text{m}$

With connecting plate MS12-AGH, Pneumatic connection G1½



Grade of filtration 0.01  $\mu\text{m}$

With connecting plate MS12-AGI, Pneumatic connection G2



- p1: 4 bar
- p1: 6 bar
- p1: 8 bar
- p1: 10 bar
- p1: 12 bar

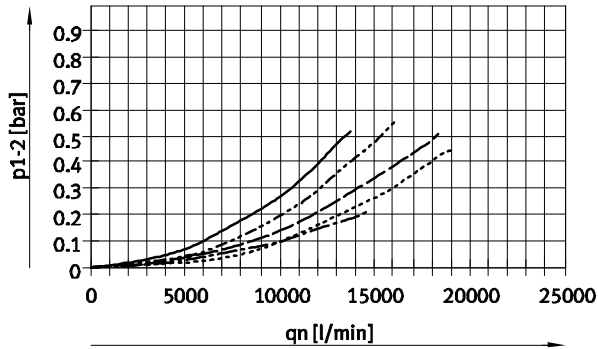
# Fine and micro filters MS12-LFM, MS series

Technical data

## Standard flow rate $q_n$ as a function of the differential pressure $p_{1-2}$

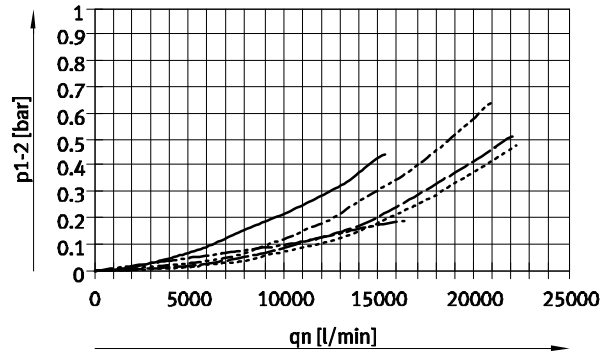
Grade of filtration  $1 \mu\text{m}$

With connecting plate MS12-AGF, Pneumatic connection G1



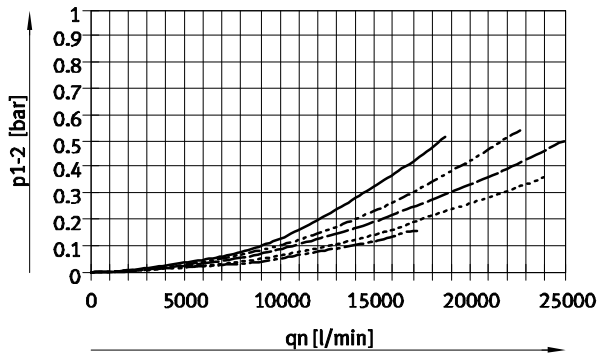
Grade of filtration  $1 \mu\text{m}$

With connecting plate MS12-AGG, Pneumatic connection  $G1\frac{1}{4}$



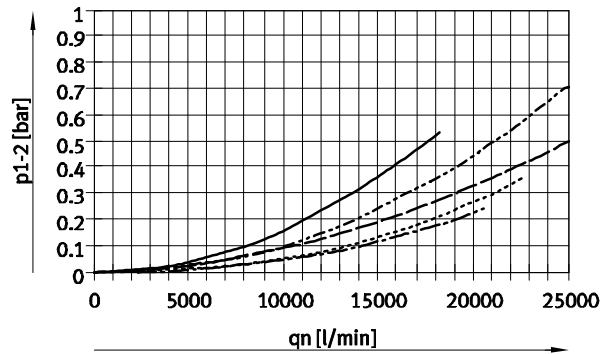
Grade of filtration  $1 \mu\text{m}$

With connecting plate MS12-AGH, Pneumatic connection  $G1\frac{1}{2}$



Grade of filtration  $1 \mu\text{m}$

With connecting plate MS12-AGI, Pneumatic connection G2



- p1: 4 bar
- - - p1: 6 bar
- · - p1: 8 bar
- · · p1: 10 bar
- · · - p1: 12 bar

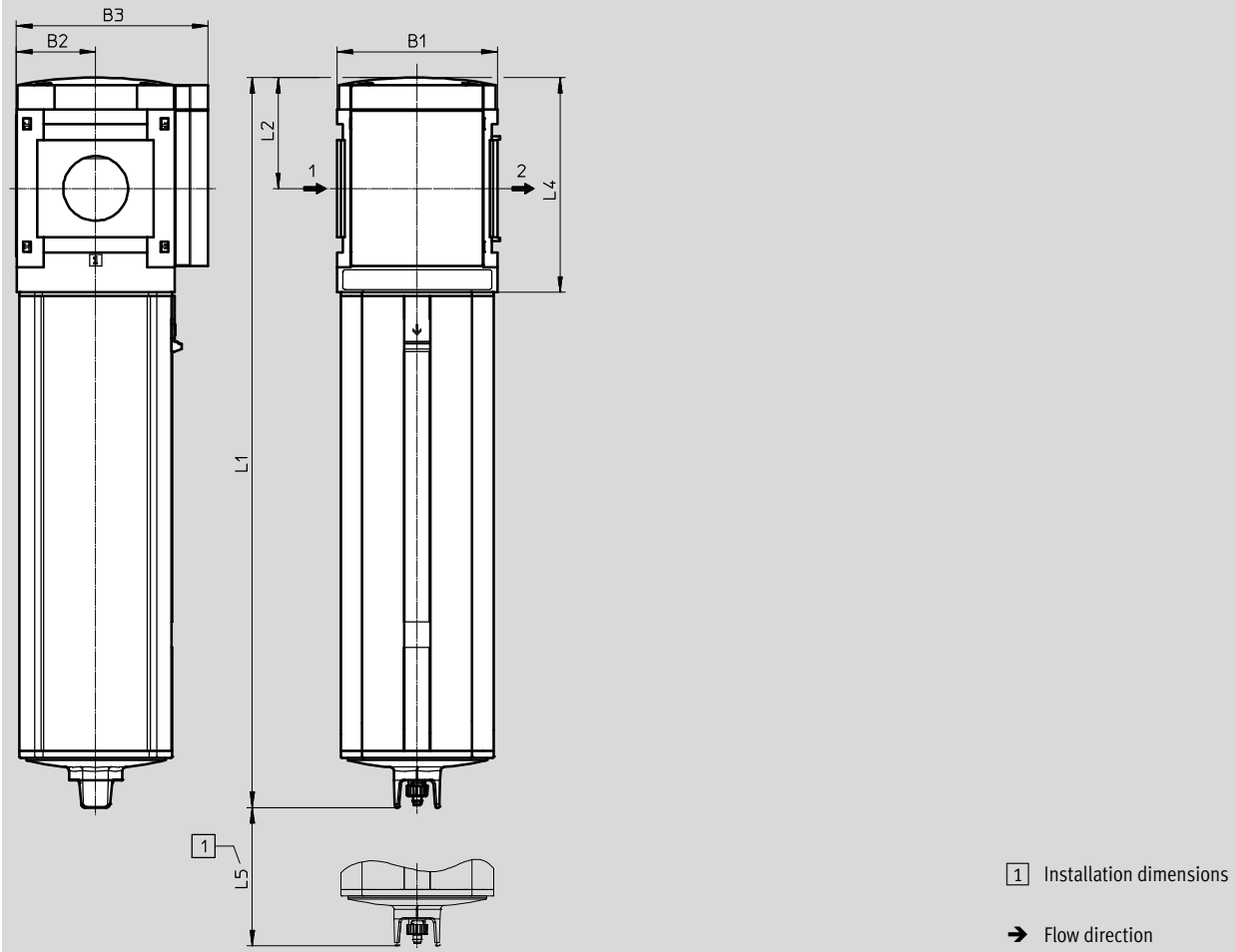
# Fine and micro filters MS12-LFM, MS series

Technical data

FESTO

## Dimensions – Basic version

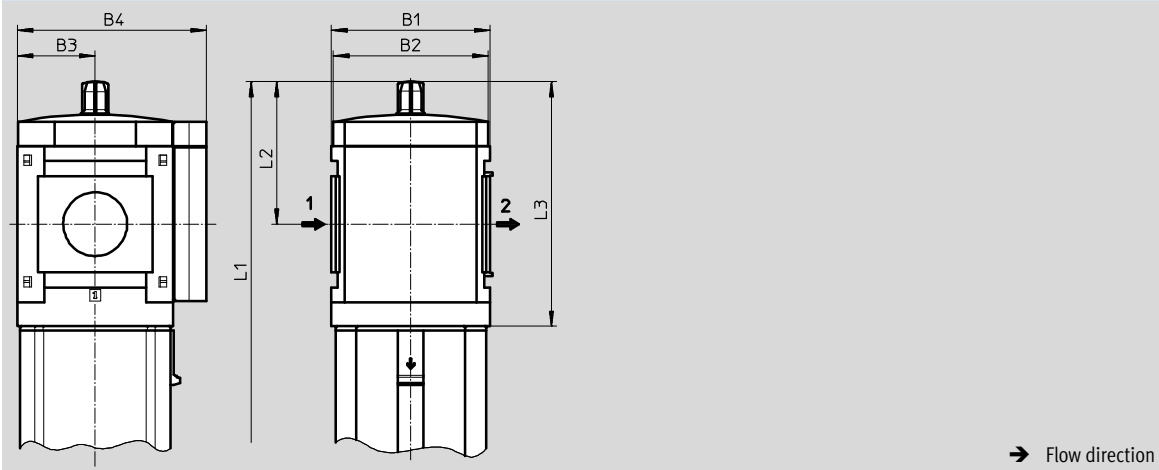
Download CAD data → [www.festo.com](http://www.festo.com)



Type	B1	B2	B3	L1	L2	L4	L5
MS12-LFM	124	61	148	565	86	166	350

## Dimensions – Differential pressure indicator

Download CAD data → [www.festo.com](http://www.festo.com)



Type	B1	B2	B3	B4	L1	L2	L3
MS12-LFM-...-DA	124	122	61	148	590	112	192

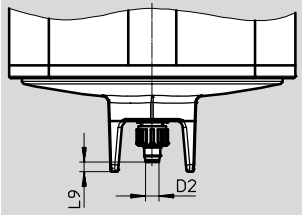


# Fine and micro filters MS12-LFM, MS series

Technical data

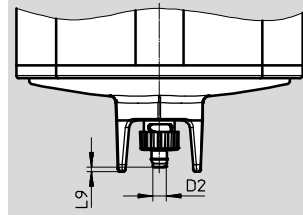
**Dimensions – Condensate drain** Download CAD data → [www.festo.com](http://www.festo.com)

Manual rotary M



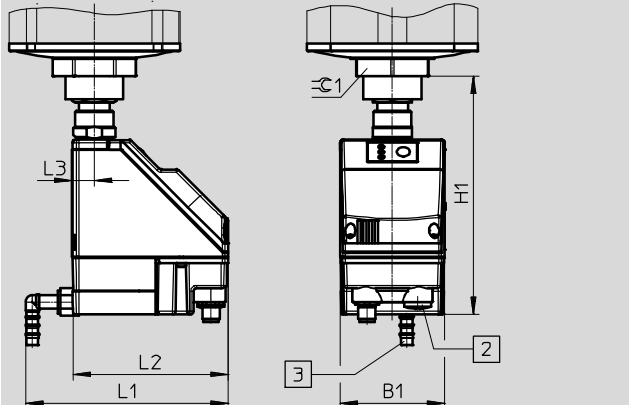
Barbed connector for plastic tubing PUN(-H)-8x1,25

Fully automatic V



Barbed connector for plastic tubing PUN(-H)-8x1,25

Fully automatic, electrically actuated E2/E3/E4 Technical data → Internet: [pwea](http://pwea.com)



Condensate drain PWEA:

- 2 Electrical connection: Screw terminal PG9
- 3 Connection 360° rotatable for plastic tubing PUN-H-12x2

Type	B1	D2 Ø	H1	L1	L2	L3	L9	∅ 1
MS12-LFM-...-M	-	5.6	-	-	-	-	4	-
MS12-LFM-...-V	-	5.6	-	-	-	-	2	-
MS12-LFM-...-E2/E3/E4	72	-	164	140	108	15	-	50

Ordering data							
Metal bowl							
Size	Condensate drain	Connection	Micro filter		Fine filter		
			Grade of filtration 0.01 µm	Part No.	Type	Grade of filtration 1 µm	Part No.
MS12	fully automatic	G1 ... G2 <sup>1)</sup>	537154	MS12-LFM-G-AUV	537153	MS12-LFM-G-BUV	

1) Connecting plate must be ordered separately as an accessory → Internet: [ms12-ag](http://ms12-ag.com)  
 - | - Note: This product conforms to ISO 1179-1 and to ISO 228-1

# Fine and micro filters MS12-LFM, MS series

Ordering data – Modular products

Ordering table		Grid dimension	[mm]	124	Condi- tions	Code	Enter code	
<b>M</b>	Module No.	<b>535042</b>						
	Series	Standard				<b>MS</b>	MS	
	Size	12				<b>12</b>	12	
	Function	Fine and micro filter				<b>-LFM</b>	-LFM	
	Pneumatic connection	Connecting plate G1				<b>-AGF</b>		
		Connecting plate G1¼				<b>-AGG</b>		
		Connecting plate G1½				<b>-AGH</b>		
		Connecting plate G2				<b>-AGI</b>		
		Module without connecting thread, without connecting plate				<b>-G</b>		
	Grade of filtration	1 µm				<b>-B</b>		
		0.01 µm				<b>-A</b>		
	Bowl	Metal bowl				<b>-U</b>	-U	
	Condensate drain	Manual				<b>-M</b>		
		Fully automatic (P1 max. 12 bar)				<b>-V</b>		
		External, fully automatic, electric	110 V AC, terminals (P1 max. 16 bar)					<b>-E2</b>
			230 V AC, terminals (P1 max. 16 bar)					<b>-E3</b>
			24 V DC, terminals (P1 max. 16 bar)					<b>-E4</b>
<b>O</b>	Filter change sensor	Differential pressure indicator, optical				<b>-DA</b>		
	Type of mounting	Mounting bracket standard design			<b>1</b>	<b>-WP</b>		
	Flow direction	Flow direction from right to left				<b>-Z</b>		

**1 WP** Only with connecting plate AGF, AGG, AGH or AGI.

**M** Mandatory data

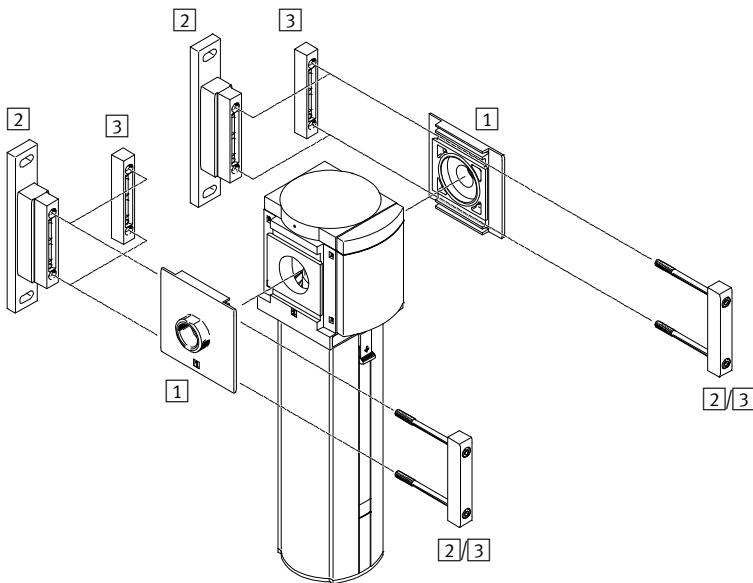
**O** Options


Transfer order code

535042 MS 12 - LFM - - U - - -

# Active carbon filters MS12-LFX, MS series

Peripherals overview



-  - Note  
 Additional accessories:  
 - Module connector for combination with size MS9 → Internet: armv

Mounting attachments and accessories		→ Page/Internet
1	Connecting plate-SET MS12-AG...	ms12-ag
2	Mounting bracket MS12-WP	ms12-wp
3	Module connector MS12-MV	ms12-mv

# Active carbon filters MS12-LFX, MS series

Type codes

		MS	12	-	LFX	-	G	-	U
<b>Series</b>									
MS	Standard service unit								
<b>Size</b>									
12	Grid dimension 124 mm								
<b>Service function</b>									
LFX	Active carbon filter								
<b>Connection size</b>									
G	Module without connecting thread, without connecting plate Connecting plates → Accessories								
<b>Bowl guard</b>									
U	Integrated as metal bowl								

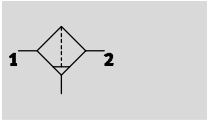
Further variants can be ordered using the modular system → 88

- Pneumatic connection
- Type of mounting
- Flow direction

# Active carbon filters MS12-LFX, MS series

## Technical data

### Function



- - Flow rate  
5,065 ... 15,190 l/min
- - Temperature range  
-10 ... +60 °C
- - Operating pressure  
0 ... 20 bar



- Removal of liquid and gaseous oil particles from compressed air using active carbon
- Eliminates odours and vapours
- Prefiltration with micro filter MS12-LFM-A, grade of filtration 0.01 µm, recommended
- New filter cartridges → 91

General technical data	
Pneumatic connection 1, 2	
Connecting plate AG...	G1, G1¼, G1½ or G2
Module without connecting thread/plate G	-
Design	Active carbon filter
Type of mounting	Via accessories
	In-line installation
Assembly position	Vertical ±5°
Air purity class at the output <sup>1)</sup>	Compressed air in accordance with ISO 8573-1:2010 [1:4:1]
Bowl guard	Integrated as metal bowl
Residual oil content [mg/m <sup>3</sup> ]	≤ 0.003

1) We recommend that the filter cartridge be replaced by a new one after 1,000 operating hours. (Applies to an ambient temperature of 21 °C. At higher temperatures the service life of the filter cartridge will be reduced.)

• † - Note: This product conforms to ISO 1179-1 and to ISO 228-1

Standard flow rate q <sub>n</sub> [l/min]				
Operating pressure	4 bar	6 bar	10 bar	14 bar
Max. standard flow rate for air purity class q <sub>n max</sub>	5,065	7,090	11,150	15,190

Operating and environmental conditions	
Operating pressure [bar]	0 ... 20
Operating medium	Compressed air in accordance with ISO 8573-1:2010 [1:4:2]
	Inert gases
Ambient temperature [°C]	-10 ... +60
Temperature of medium [°C]	+5 ... +30
Storage temperature [°C]	-10 ... +60
Corrosion resistance CRC <sup>1)</sup>	2

1) Corrosion resistance class CRC 2 to Festo standard FN 940070  
Moderate corrosion stress. Indoor applications in which condensation may occur. External visible parts with primarily decorative requirements for the surface and which are in direct contact with the ambient atmosphere typical for industrial applications.

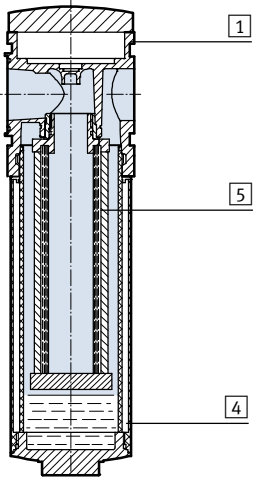
Weights [g]	
Active carbon filter with metal bowl U	7,000

# Active carbon filters MS12-LFX, MS series

Technical data

## Materials

Sectional view

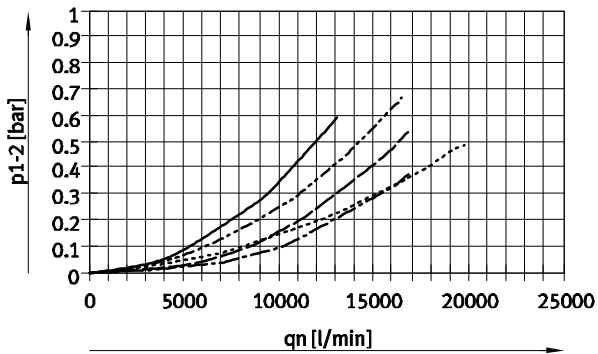


## Active carbon filter

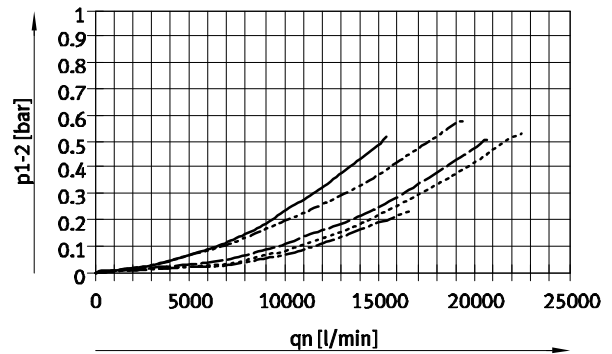
1	Body	Die-cast aluminium
4	Metal bowl	Wrought aluminium alloy
	Viewing window	PC
5	Filter	Active carbon
-	Seals	NBR
Note on materials		RoHS-compliant
		Free of copper and PTFE

## Standard flow rate $q_n$ as a function of the differential pressure $p_{1-2}$

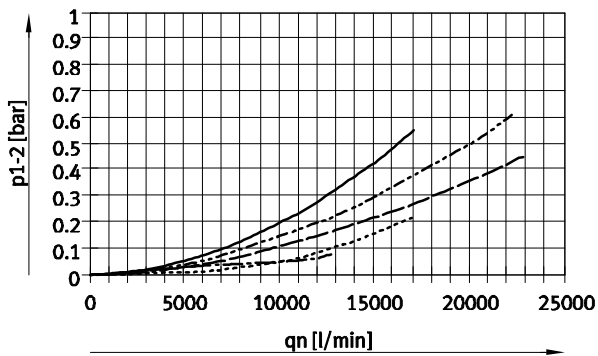
With connecting plate MS12-AGF, Pneumatic connection G1



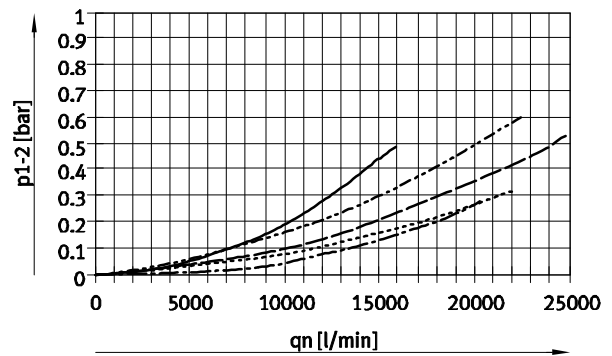
With connecting plate MS12-AGG, Pneumatic connection G1¼



With connecting plate MS12-AGH, Pneumatic connection G1½



With connecting plate MS12-AGI, Pneumatic connection G2



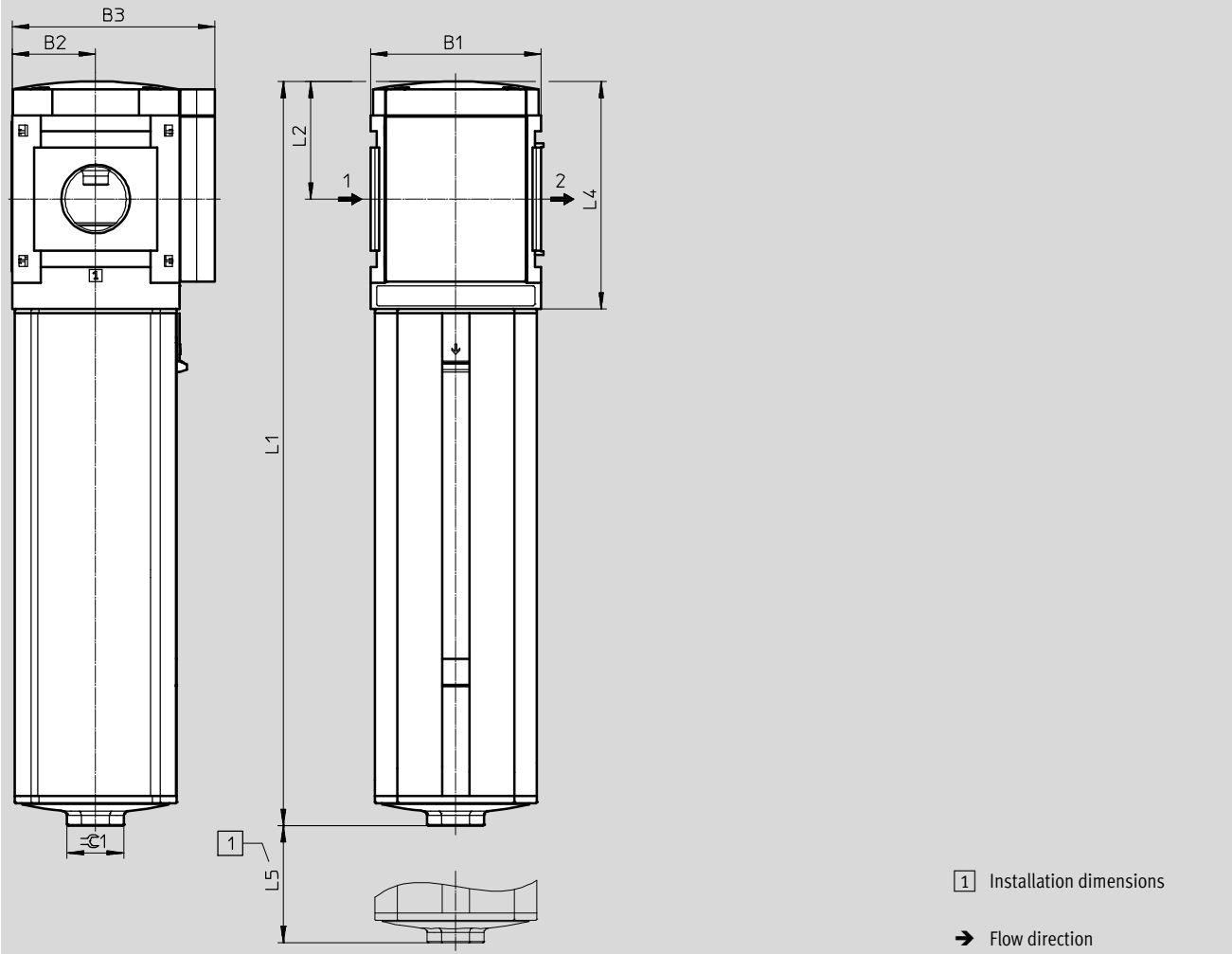
- $p_1$ : 4 bar
- - -  $p_1$ : 6 bar
- · -  $p_1$ : 8 bar
- · ·  $p_1$ : 10 bar
- - -  $p_1$ : 12 bar

# Active carbon filters MS12-LFX, MS series

Technical data

## Dimensions – Basic version

Download CAD data → [www.festo.com](http://www.festo.com)



Type	B1	B2	B3	L1	L2	L4	L5	∅1
MS12-LFX	124	61	148	542	86	166	350	36

## Ordering data

Metal bowl

Size	Connection	Part No.	Type
MS12	G1 ... G2 <sup>1)</sup>	537155	MS12-LFX-G-U

1) Connecting plate must be ordered separately as an accessory → Internet: ms12-ag

- | - Note: This product conforms to ISO 1179-1 and to ISO 228-1

# Active carbon filters MS12-LFX, MS series

Ordering data – Modular products

Ordering table					
Grid dimension	[mm]	124	Condi- tions	Code	Enter code
<b>M</b>	Module No.	<b>535043</b>			
	Series	Standard		<b>MS</b>	MS
	Size	12		<b>12</b>	12
	Function	Active carbon filter		<b>-LFX</b>	-LFX
	Pneumatic connection	Connecting plate G1		<b>-AGF</b>	
		Connecting plate G1¼		<b>-AGG</b>	
		Connecting plate G1½		<b>-AGH</b>	
		Connecting plate G2		<b>-AGI</b>	
		Module without connecting thread, without connecting plate		<b>-G</b>	
	Bowl	Metal bowl		<b>-U</b>	-U
<b>O</b>	Type of mounting	Mounting bracket standard design	<b>1</b>	<b>-WP</b>	
	Flow direction	Flow direction from right to left		<b>-Z</b>	

**1 WP** Only with connecting plate AGF, AGG, AGH or AGI.

**M** Mandatory data

**O** Options

Transfer order code

535043 MS 12 - LFX - [ ] - U [ ] - [ ] - [ ]



# Filters MS-LF/LFM/LFX, MS series

Accessories

## Filter cartridges, MS4/MS6 series



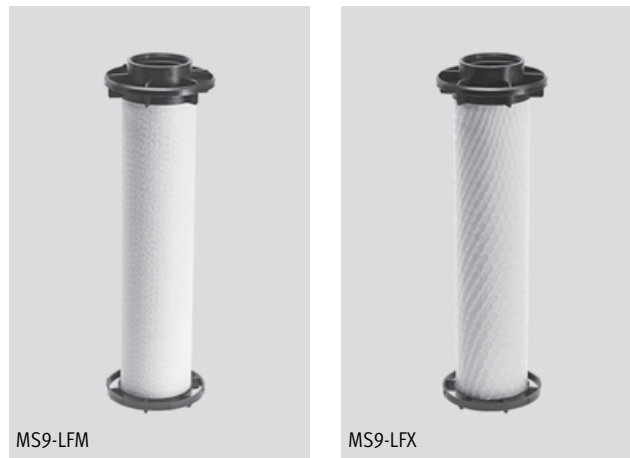
Ordering data				
Size	Filter cartridge	Grade of filtration [µm]	Part No.	Type
MS4	Micro-filter cartridge	0.01	162674	MS4/D-MINI-LFM-A
	Fine-filter cartridge	1	162677	MS4/D-MINI-LFM-B
	Filter cartridge (colour: blue)	5	534501	MS4-LFP-C
	Filter cartridge (colour: white)	40	534502	MS4-LFP-E
	Activated carbon filter cartridge	–	532912	MS4/D-MINI-LFX
MS6	Micro-filter cartridge	0.01	532909	MS6-LFM-A
	Fine-filter cartridge	1	532910	MS6-LFM-B
	Filter cartridge (colour: blue)	5	534499	MS6-LFP-C
	Filter cartridge (colour: white)	40	534500	MS6-LFP-E
	Activated carbon filter cartridge	–	532911	MS6-LFX
High flow rate HF				
MS6	Micro-filter cartridge	0.01	552093	MS6-LFM-A-HF
	Fine-filter cartridge	1	552092	MS6-LFM-B-HF
	Activated carbon filter cartridge	–	552094	MS6-LFX-HF
Range of application HP, suitable for sealing air and cleaning air				
MS6	Micro-filter cartridge	0,01	547922	MS6-LFM-AI
	Fine-filter cartridge	1	547923	MS6-LFM-BI
	Activated carbon filter cartridge	–	547925	MS6-LFX-AKI

## Filters MS-LF/LFM/LFX, MS series

Accessories

FESTO

Filter cartridges, MS9 series



Ordering data				
Size	Filter cartridge	Grade of filtration [µm]	Part No.	Type
MS9	Micro-filter cartridge	0.01	553036	MS9-LFM-A
	Fine-filter cartridge	1	553037	MS9-LFM-B
	Filter cartridge	5	570309	MS9-LFP-C
	Filter cartridge	40	570310	MS9-LFP-E
	Activated carbon filter cartridge	-	552946	MS9-LFX
High flow rate HF				
MS9	Micro-filter cartridge	0.01	552944	MS9-LFM-A-HF
	Fine-filter cartridge	1	552945	MS9-LFM-B-HF

## Filters MS-LF/LFM/LFX, MS series

FESTO

Accessories

### Filter cartridges, MS12 series



MS12-LFM-B



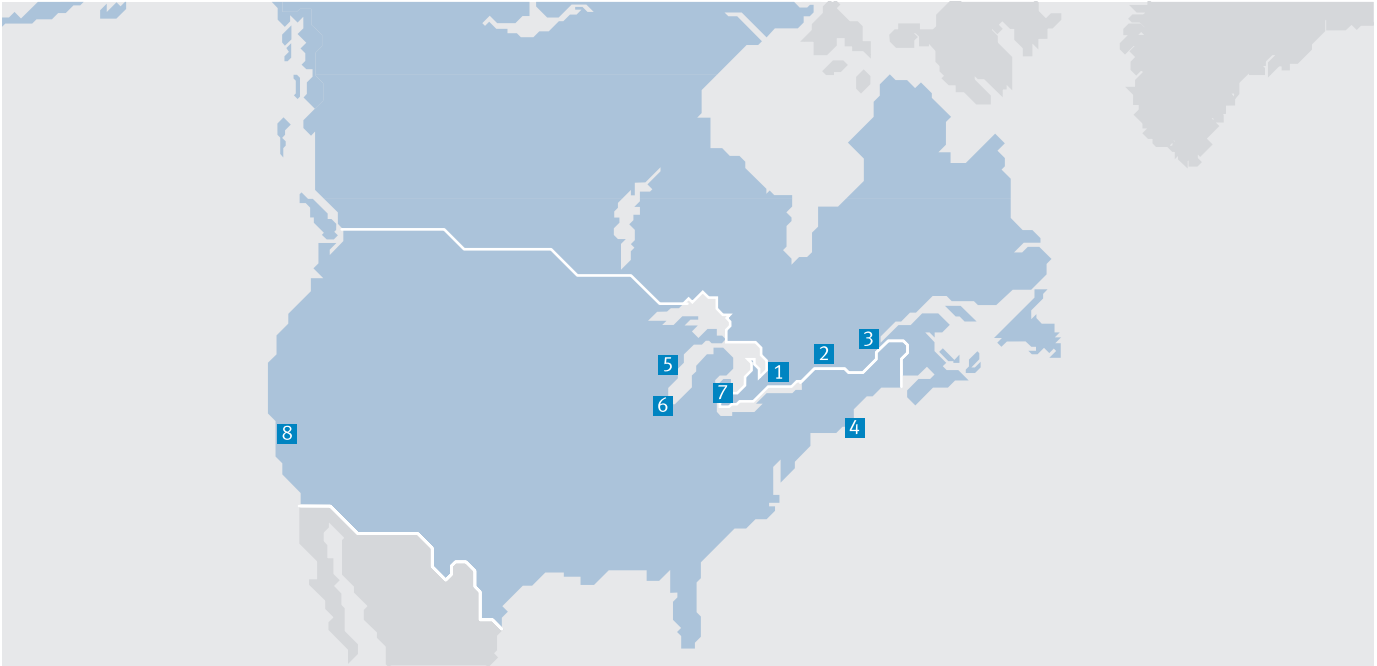
MS12-LFM-A



MS12-LFX

Ordering data				
Size	Filter cartridge	Grade of filtration [μm]	Part No.	Type
MS12	Micro-filter cartridge	0.01	537146	MS12-LFM-A
	Fine-filter cartridge	1	537145	MS12-LFM-B
	Filter cartridge	5	537143	MS12-LFP-C
	Filter cartridge	40	537144	MS12-LFP-E
	Activated carbon filter cartridge	-	537147	MS12-LFX

# Festo North America



**1 Festo Canada  
Headquarters  
Festo Inc.**  
5300 Explorer Drive  
Mississauga, ON  
L4W 5G4

**2 Montréal**  
5600, Trans-Canada  
Pointe-Claire, QC  
H9R 1B6

**3 Québec City**  
2930, rue Watt#117  
Québec, QC  
G1X 4G3



**4 Festo United States  
Headquarters  
Festo Corporation**  
395 Moreland Road  
Hauppauge, NY  
11788

**5 Appleton**  
North 922 Tower View Drive, Suite N  
Greenville, WI  
54942

**7 Detroit**  
1441 West Long Lake Road  
Troy, MI  
48098

**6 Chicago**  
85 W Algonquin - Suite 340  
Arlington Heights, IL  
60005

**8 Silicon Valley**  
4935 Southfront Road, Suite F  
Livermore, CA  
94550

## Festo Regional Contact Center

### Canadian Customers

Commercial Support:  
Tel: 1 877 GO FESTO (1 877 463 3786)  
Fax: 1 877 FX FESTO (1 877 393 3786)  
Email: festo.canada@ca.festo.com

Technical Support:  
Tel: 1 866 GO FESTO (1 866 463 3786)  
Fax: 1 877 FX FESTO (1 877 393 3786)  
Email: technical.support@ca.festo.com

### USA Customers

Commercial Support:  
Tel: 1 800 99 FESTO (1 800 993 3786)  
Fax: 1 800 96 FESTO (1 800 963 3786)  
Email: customer.service@us.festo.com

Technical Support:  
Tel: 1 866 GO FESTO (1 866 463 3786)  
Fax: 1 800 96 FESTO (1 800 963 3786)  
Email: product.support@us.festo.com

Subject to change

Internet: [www.festo.com/us](http://www.festo.com/us)