

Soft-start and quick exhaust valves MS-SV, MS series

FESTO



Festo core product range
Covers 80% of your automation tasks

Worldwide:

Always in stock

Superb:

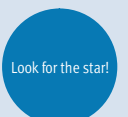
Festo quality at an attractive price

Easy:

Reduces procurement and storing complexity

★ Ready for dispatch from the Festo factory in 24 hours
Held in stock in 13 service centres worldwide
More than 2200 products

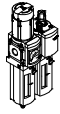
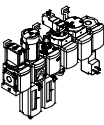



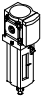

★ Ready for dispatch in 5 days maximum from stock
Assembled for you in 4 service centres worldwide
Up to 6×10^{12} variants per product series



Soft-start and quick exhaust valves MS-SV, MS series



Product range overview – MS series service units

Type	Size	Pneumatic connection in housing	Connecting plate	Pressure regulation range [bar]						Grade of filtration [µm]			
				0.05	0.05	0.1	0.3	0.1	0.5	0.01	1	5	40
Code			AG.../AQ...	D2	D4	D5	D6	D7	D8	A	B	C	E
Service unit combinations													
MSB-FRC 	4	G1/8, G1/4	G1/8, G1/4, G3/8	-	-	-	■	■	-	-	-	■	■
	6	G1/4, G3/8, G1/2	G1/4, G3/8, G1/2, G3/4	-	-	-	■	■	-	-	-	■	■
	9	-	-	-	-	-	-	-	-	-	-	-	-
	12	-	-	-	-	-	-	-	-	-	-	-	-
Service unit combinations (further variants can be ordered using the configurator → Internet: msb4, msb6 or msb9)													
MSB 	4	G1/4	G1/8, G1/4, G3/8	-	-	-	■	■	-	-	-	■	■
	6	G1/2	G1/4, G3/8, G1/2, G3/4	-	-	-	■	■	-	-	-	■	■
	9	-	-	-	-	-	-	-	-	-	-	-	-
	12	-	-	-	-	-	-	-	-	-	-	-	-
Individual devices													
Filter regulators MS-LFR 	4	G1/8, G1/4	G1/8, G1/4, G3/8	-	-	■	■	■	-	-	-	■	■
	6	G1/4, G3/8, G1/2	G1/4, G3/8, G1/2, G3/4	-	-	■	■	■	■	-	-	■	■
	9	G3/4, G1	G1/2, G3/4, G1, G1 1/4, G1 1/2	-	-	■	■	■	■	-	-	■	■
	12	-	G1, G1 1/4, G1 1/2, G2	-	-	-	■	■	■	-	-	■	■
Filters MS-LF 	4	G1/8, G1/4	G1/8, G1/4, G3/8	-	-	-	-	-	-	-	-	■	■
	6	G1/4, G3/8, G1/2	G1/4, G3/8, G1/2, G3/4	-	-	-	-	-	-	-	-	■	■
	9	G3/4, G1	G1/2, G3/4, G1, G1 1/4, G1 1/2	-	-	-	-	-	-	-	-	■	■
	12	-	G1, G1 1/4, G1 1/2, G2	-	-	-	-	-	-	-	-	■	■
Fine and micro filters MS-LFM 	4	G1/8, G1/4	G1/8, G1/4, G3/8	-	-	-	-	-	-	■	■	-	-
	6	G1/4, G3/8, G1/2	G1/4, G3/8, G1/2, G3/4	-	-	-	-	-	-	■	■	-	-
	9	G3/4, G1	G1/2, G3/4, G1, G1 1/4, G1 1/2	-	-	-	-	-	-	■	■	-	-
	12	-	G1, G1 1/4, G1 1/2, G2	-	-	-	-	-	-	■	■	-	-
Activated carbon filters MS-LFX 	4	G1/8, G1/4	G1/8, G1/4, G3/8	-	-	-	-	-	-	-	-	-	-
	6	G1/4, G3/8, G1/2	G1/4, G3/8, G1/2, G3/4	-	-	-	-	-	-	-	-	-	-
	9	G3/4, G1	G1/2, G3/4, G1, G1 1/4, G1 1/2	-	-	-	-	-	-	-	-	-	-
	12	-	G1, G1 1/4, G1 1/2, G2	-	-	-	-	-	-	-	-	-	-
Water separators MS-LWS 	4	-	-	-	-	-	-	-	-	-	-	-	-
	6	G1/4, G3/8, G1/2	G1/4, G3/8, G1/2, G3/4	-	-	-	-	-	-	-	-	-	-
	9	G3/4, G1	G1/2, G3/4, G1, G1 1/4, G1 1/2	-	-	-	-	-	-	-	-	-	-
	12	-	G1, G1 1/4, G1 1/2, G2	-	-	-	-	-	-	-	-	-	-

Soft-start and quick exhaust valves MS-SV, MS series



Product range overview – MS series service units

Type	Size	Bowl guard		Condensate drains				Pressure indicator					Security		Options		→ Page/ Internet
		Plastic bowl with plastic bowl guard	Metal bowl	Manual rotary	Semi-automatic	Fully automatic	External, fully automatic, electrical	Cover plate (without pressure gauge)	Integrated MS pressure gauge	Adapter plate for EN pressure gauge G1/8	Adapter plate for EN pressure gauge G1/4	Pressure sensor	Rotary knob with detent, lockable via accessories	Rotary knob with integrated lock	Silencer	Flow direction from right to left	
Code		R	U	M	H	V	E...	VS	AG	A8	A4	AD...	AS	E11	S	Z	
Service unit combinations																	
MSB-FRC	4	■	-	■	-	■	-	-	■	-	-	-	■	-	-	■	msb4
	6	■	■	■	-	■	-	-	■	-	-	-	■	-	-	■	msb6
	9	-	-	-	-	-	-	-	-	-	-	-	-	-	-	-	-
	12	-	-	-	-	-	-	-	-	-	-	-	-	-	-	-	-
Service unit combinations																	
MSB	4	■	■	■	-	■	-	-	■	-	-	-	■	-	-	■	msb4
	6	■	■	■	-	■	-	-	■	-	-	-	■	-	-	■	msb6
	9	-	-	-	-	-	-	-	-	-	-	-	-	-	-	-	-
	12	-	-	-	-	-	-	-	-	-	-	-	-	-	-	-	-
Individual devices																	
Filter regulators MS-LFR	4	■	■	■	■	■	-	■	■	■	■	■	■	■	-	■	ms4-lfr
	6	■	■	■	■	■	■	■	■	■	■	■	■	■	-	■	ms6-lfr
	9	-	■	■	■	■	■	■	■	■	■	■	■	■	-	■	ms9-lfr
	12	-	■	■	-	■	■	■	■	■	■	■	■	■	-	■	ms12-lfr
Filters MS-LF	4	■	■	■	■	■	-	-	-	-	-	-	-	-	-	■	ms4-lf
	6	■	■	■	■	■	■	-	-	-	-	-	-	-	-	■	ms6-lf
	9	-	■	■	■	■	■	-	-	-	-	-	-	-	-	■	ms9-lf
	12	-	■	■	-	■	■	-	-	-	-	-	-	-	-	■	ms12-lf
Fine and micro filters MS-LFM	4	■	■	■	■	■	-	-	-	-	-	-	-	-	-	■	ms4-lfm
	6	■	■	■	■	■	■	-	-	-	-	-	-	-	-	■	ms6-lfm
	9	-	■	■	■	■	■	-	-	-	-	-	-	-	-	■	ms9-lfm
	12	-	■	■	-	■	■	-	-	-	-	-	-	-	-	■	ms12-lfm
Activated carbon filters MS-LFX	4	■	■	-	-	-	-	-	-	-	-	-	-	-	-	■	ms4-lfx
	6	■	■	-	-	-	-	-	-	-	-	-	-	-	-	■	ms6-lfx
	9	-	■	-	-	-	-	-	-	-	-	-	-	-	-	■	ms9-lfx
	12	-	■	-	-	-	-	-	-	-	-	-	-	-	-	■	ms12-lfx
Water separators MS-LWS	4	-	-	-	-	-	-	-	-	-	-	-	-	-	-	-	-
	6	-	■	-	-	■	■	-	-	-	-	-	-	-	-	■	ms6-lws
	9	-	■	-	-	■	■	-	-	-	-	-	-	-	-	■	ms9-lws
	12	-	■	-	-	■	■	-	-	-	-	-	-	-	-	■	ms12-lws

Soft-start and quick exhaust valves MS-SV, MS series



Product range overview – MS series service units

Type	Size	Pneumatic connection in housing	Connecting plate	Pressure regulation range [bar]								Supply voltage			
				0.05	0.05	0.1	0.3	0.1	0.5	24 V DC, connection pattern to EN 175301	24 V DC, connection M12 to IEC 61076-2-101	110 V AC, connection pattern to EN 175301	230 V AC, connection pattern to EN 175301		
Code			AG.../AQ...	D2	D4	D5	D6	D7	D8	V24	V24P	V110	V230		
Individual devices															
Pressure regulators MS-LR		4	G1/8, G1/4	G1/8, G1/4, G3/8	-	-	■	■	■	-	-	-	-		
		6	G1/4, G3/8, G1/2	G1/4, G3/8, G1/2, G3/4	-	-	■	■	■	■	-	-	-		
		9	G3/4, G1	G1/2, G3/4, G1, G1 1/4, G1 1/2	-	-	■	■	■	■	-	-	-		
		12	-	G1, G1 1/4, G1 1/2, G2	-	-	-	■	■	■	-	-	-		
Pressure regulators MS-LRB		4	G1/4	G1/8, G1/4, G3/8	-	-	■	■	■	-	-	-	-		
		6	G1/2	G1/4, G3/8, G1/2, G3/4	-	-	■	■	■	■	-	-	-		
		9	-	-	-	-	-	-	-	-	-	-	-		
		12	-	-	-	-	-	-	-	-	-	-	-		
Precision pressure regulators MS-LRP		4	-	-	-	-	-	-	-	-	-	-	-		
		6	G1/4, G3/8, G1/2	G1/4, G3/8, G1/2, G3/4	■	■	■	-	■	-	-	-	-		
		9	-	-	-	-	-	-	-	-	-	-	-		
		12	-	-	-	-	-	-	-	-	-	-	-		
Precision pressure regulators MS-LRPB		4	-	-	-	-	-	-	-	-	-	-	-		
		6	G1/2	G1/4, G3/8, G1/2, G3/4	■	■	■	-	■	-	-	-	-		
		9	-	-	-	-	-	-	-	-	-	-	-		
		12	-	-	-	-	-	-	-	-	-	-	-		
Electrical pressure regulators MS-LRE		4	-	-	-	-	-	-	-	-	-	-	-		
		6	G1/4, G3/8, G1/2	G1/4, G3/8, G1/2, G3/4	-	-	■	■	■	■	-	-	-		
		9	-	-	-	-	-	-	-	-	-	-	-		
		12	-	-	-	-	-	-	-	-	-	-	-		
Lubricators MS-LOE		4	G1/8, G1/4	G1/8, G1/4, G3/8	-	-	-	-	-	-	-	-	-		
		6	G1/4, G3/8, G1/2	G1/4, G3/8, G1/2, G3/4	-	-	-	-	-	-	-	-	-		
		9	G3/4, G1	G1/2, G3/4, G1, G1 1/4, G1 1/2	-	-	-	-	-	-	-	-	-		
		12	-	G1, G1 1/4, G1 1/2, G2	-	-	-	-	-	-	-	-	-		
On-off valves, manually actuated MS-EM(1)		4	G1/8, G1/4	G1/8, G1/4, G3/8	-	-	-	-	-	-	-	-	-		
		6	G1/4, G3/8, G1/2	G1/4, G3/8, G1/2, G3/4	-	-	-	-	-	-	-	-	-		
		9	G3/4, G1	G1/2, G3/4, G1, G1 1/4, G1 1/2	-	-	-	-	-	-	-	-	-		
		12	-	G1, G1 1/4, G1 1/2, G2	-	-	-	-	-	-	-	-	-		
On-off valves, electrically actuated MS-EE		4	G1/8, G1/4	G1/8, G1/4, G3/8	-	-	-	-	-	■	-	■	■		
		6	G1/4, G3/8, G1/2	G1/4, G3/8, G1/2, G3/4	-	-	-	-	-	■	-	■	■		
		9	G3/4, G1	G1/2, G3/4, G1, G1 1/4, G1 1/2	-	-	-	-	-	■	■	■	■		
		12	-	G1, G1 1/4, G1 1/2, G2	-	-	-	-	-	■	■	■	■		
Soft-start valves, pneumatically actuated MS-DL		4	G1/8, G1/4	G1/8, G1/4, G3/8	-	-	-	-	-	-	-	-	-		
		6	G1/4, G3/8, G1/2	G1/4, G3/8, G1/2, G3/4	-	-	-	-	-	-	-	-	-		
		9	-	-	-	-	-	-	-	-	-	-	-		
		12	-	G1, G1 1/4, G1 1/2, G2	-	-	-	-	-	-	-	-	-		
Soft-start valves, electrically actuated MS-DE		4	G1/8, G1/4	G1/8, G1/4, G3/8	-	-	-	-	-	■	-	■	■		
		6	G1/4, G3/8, G1/2	G1/4, G3/8, G1/2, G3/4	-	-	-	-	-	■	-	■	■		
		9	-	-	-	-	-	-	-	-	-	-	-		
		12	-	G1, G1 1/4, G1 1/2, G2	-	-	-	-	-	■	■	■	■		

Soft-start and quick exhaust valves MS-SV, MS series

Product range overview – MS series service units

Type	Size	Bowl guard		Pressure indicator				Security			Options		→ Page/ Internet
		Plastic bowl with plastic bowl guard	Metal bowl	Cover plate (without pressure gauge)	Integrated MS pressure gauge	Adapter plate for EN pressure gauge G1/8	Adapter plate for EN pressure gauge G1/4	Pressure sensor	Rotary knob with detent, lockable via accessories	Rotary knob with integrated lock	Silencer	Flow direction from right to left	
Code		R	U	VS	AG	A8	A4	AD...	AS	E11	S	Z	
Individual devices													
Pressure regulators MS-LR	4	-	-	■	■	■	■	■	■	■	-	■	ms4-lr
	6	-	-	■	■	-	■	■	■	■	-	■	ms6-lr
	9	-	-	■	■	-	■	■	■	■	-	■	ms9-lr
	12	-	-	■	■	-	■	-	■	■	-	■	ms12-lr
Pressure regulators MS-LRB	4	-	-	■	■	■	■	■	■	■	-	■	ms4-lrb
	6	-	-	■	■	-	■	■	■	■	-	■	ms6-lrb
	9	-	-	-	-	-	-	-	-	-	-	-	-
	12	-	-	-	-	-	-	-	-	-	-	-	-
Precision pressure regulators MS-LRP	4	-	-	-	-	-	-	-	-	-	-	-	-
	6	-	-	■	-	■	■	■	■	■	-	■	ms6-lrp
	9	-	-	-	-	-	-	-	-	-	-	-	-
	12	-	-	-	-	-	-	-	-	-	-	-	-
Precision pressure regulators MS-LRPB	4	-	-	-	-	-	-	-	-	-	-	-	-
	6	-	-	■	-	■	■	■	■	■	-	■	ms6-lrpb
	9	-	-	-	-	-	-	-	-	-	-	-	-
	12	-	-	-	-	-	-	-	-	-	-	-	-
Electrical pressure regulators MS-LRE	4	-	-	-	-	-	-	-	-	-	-	-	-
	6	-	-	■	■	-	■	-	-	-	-	■	ms6-lre
	9	-	-	-	-	-	-	-	-	-	-	-	-
	12	-	-	-	-	-	-	-	-	-	-	-	-
Lubricators MS-LOE	4	■	■	-	-	-	-	-	-	-	-	■	ms4-loe
	6	■	■	-	-	-	-	-	-	-	-	■	ms6-loe
	9	-	■	-	-	-	-	-	-	-	-	■	ms9-loe
	12	-	■	-	-	-	-	-	-	-	-	■	ms12-loe
On-off valves, manually actuated MS-EM(1)	4	-	-	■	■	■	■	■	-	-	■	■	ms4-em1
	6	-	-	■	■	-	■	■	-	-	■	■	ms6-em1
	9	-	-	■	■	-	■	-	-	-	■	■	ms9-em
	12	-	-	■	■	-	■	-	-	-	■	■	ms12-em
On-off valves, electrically actuated MS-EE	4	-	-	■	■	■	■	■	-	-	■	■	ms4-ee
	6	-	-	■	■	-	■	■	-	-	■	■	ms6-ee
	9	-	-	■	■	-	■	■	-	-	■	■	ms9-ee
	12	-	-	■	■	-	■	-	-	-	■	■	ms12-ee
Soft-start valves, pneumatically actuated MS-DL	4	-	-	■	■	■	■	■	-	-	-	■	ms4-dl
	6	-	-	■	■	-	■	■	-	-	-	■	ms6-dl
	9	-	-	-	-	-	-	-	-	-	-	-	-
	12	-	-	■	■	-	■	-	-	-	-	■	ms12-dl
Soft-start valves, electrically actuated MS-DE	4	-	-	■	■	■	■	■	-	-	-	■	ms4-de
	6	-	-	■	■	-	■	■	-	-	-	■	ms6-de
	9	-	-	-	-	-	-	-	-	-	-	-	-
	12	-	-	■	■	-	■	-	-	-	-	■	ms12-de

Soft-start and quick exhaust valves MS-SV, MS series



Product range overview – MS series service units

Type	Size	Pneumatic connection in housing	Connecting plate	Performance Level			Supply voltage					
				Category 1, 1-channel	Category 3, 2-channel	Category 4, 2-channel with self-monitoring	24 V DC, Sub-D, 9-pin	24 V DC, connection pattern to EN 175301	24 V DC, connection M12 to IEC 61076-2-101	110/230 V AC, connection pattern to EN 175301	22 ... 31.6 V DC, connection M12, AS-i Safety at Work	
Code			AG.../AQ...	C	D	E	10V24	10V24/ V24	10V24P	V110/ V230	ASIS	
Individual devices												
Soft start and exhaust valves MS-SV-C		4	–									
		6	G1/2	G1/4, G3/8, G1/2, G3/4	■	–	–	–	■	■	–	–
		9	G3/4, G1	G1/2, G3/4, G1, G1 1/4, G1 1/2	■	–	–	–	■	■	■	–
		12	–									
Soft start and exhaust valves MS-SV-D		4	–									
		6	G1/2	G1/4, G3/8, G1/2, G3/4	–	■	–	–	■	■	–	–
		9	–									
		12	–									
Soft start and exhaust valves MS-SV-E		4	–									
		6	G1/2	G1/4, G3/8, G1/2, G3/4	–	–	■	■	–	–	–	■
		9	–									
		12	–									
Membrane air dryers MS-LDM1		4	G1/8, G1/4	G1/8, G1/4, G3/8	–	–	–	–	–	–	–	–
		6	G1/4, G3/8, G1/2	G1/4, G3/8, G1/2, G3/4	–	–	–	–	–	–	–	–
		9	–									
		12	–									
Branching modules MS-FRM		4	G1/8, G1/4	G1/8, G1/4, G3/8	–	–	–	–	–	–	–	–
		6	G1/4, G3/8, G1/2	G1/4, G3/8, G1/2, G3/4	–	–	–	–	–	–	–	–
		9	G3/4, G1	G1/2, G3/4, G1, G1 1/4, G1 1/2	–	–	–	–	–	–	–	–
		12	–	G1, G1 1/4, G1 1/2, G2	–	–	–	–	–	–	–	–
Distributor blocks MS-FRM-FRZ		4	G1/4	–	–	–	–	–	–	–	–	–
		6	G1/2	–	–	–	–	–	–	–	–	–
		9	–									
		12	–									
Flow sensors SFAM		4	–									
		6	G1/2	G1/2	–	–	–	–	–	–	–	–
		9	–	G1, G1 1/2	–	–	–	–	–	–	–	–
		12	–									

Soft-start and quick exhaust valves MS-SV, MS series

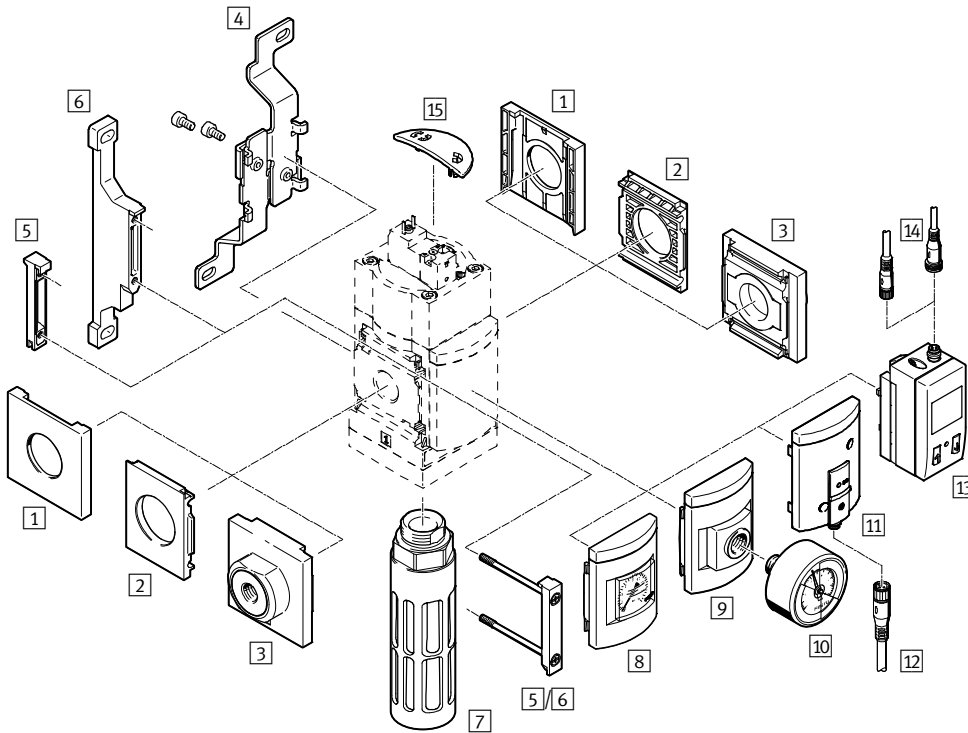
Product range overview – MS series service units

Type	Size	Bowl guard		Pressure indicator					Switch output		Options		→ Page/ Internet
		Plastic bowl with plastic bowl guard	Metal bowl	Cover plate (without pressure gauge)	Integrated MS pressure gauge	Adapter plate for EN pressure gauge G ³ / ₈	Adapter plate for EN pressure gauge G ¹ / ₄	Pressure sensor	2x PNP or NPN, 1 analogue output 4 ... 20 mA	2x PNP or NPN, 1 analogue output 0 ... 10 V	Silencer	Flow direction from right to left	
Code		R	U	VS	AG	A8	A4	AD...	2SA	2SV	S	Z/R	
Individual devices													
Soft start and exhaust valves MS-SV-C	4	-	-	-	-	-	-	-	-	-	-	-	-
	6	-	-	■	■	-	■	■	-	-	■	■	8
	9	-	-	■	■	-	■	■	-	-	■	■	44
	12	-	-	-	-	-	-	-	-	-	-	-	-
Soft start and exhaust valves MS-SV-D	4	-	-	-	-	-	-	-	-	-	-	-	-
	6	-	-	■	■	-	■	■	-	-	■	■	18
	9	-	-	-	-	-	-	-	-	-	-	-	-
	12	-	-	-	-	-	-	-	-	-	-	-	-
Soft start and exhaust valves MS-SV-E	4	-	-	-	-	-	-	-	-	-	-	-	-
	6	-	-	■	■	-	■	■	-	-	■	■	30
	9	-	-	-	-	-	-	-	-	-	-	-	-
	12	-	-	-	-	-	-	-	-	-	-	-	-
Membrane air dryers MS-LDM1	4	-	■	-	-	-	-	-	-	-	-	■	ms4-ldm1
	6	-	■	-	-	-	-	-	-	-	-	■	ms6-ldm1
	9	-	-	-	-	-	-	-	-	-	-	-	-
	12	-	-	-	-	-	-	-	-	-	-	-	-
Branching modules MS-FRM	4	-	-	■	■	■	■	■	-	-	-	■	ms4-frm
	6	-	-	■	■	-	■	■	-	-	-	■	ms6-frm
	9	-	-	■	■	-	■	■	-	-	-	■	ms9-frm
	12	-	-	■	-	-	-	-	-	-	-	-	ms12-frm
Distributor blocks MS-FRM-FRZ	4	-	-	-	-	-	-	-	-	-	-	■	ms4-frm
	6	-	-	-	-	-	-	-	-	-	-	■	ms6-frm
	9	-	-	-	-	-	-	-	-	-	-	-	-
	12	-	-	-	-	-	-	-	-	-	-	-	-
Flow sensors SFAM	4	-	-	-	-	-	-	-	-	-	-	-	-
	6	-	-	-	-	-	-	-	■	■	-	■	sfam-62
	9	-	-	-	-	-	-	-	■	■	-	■	sfam-90
	12	-	-	-	-	-	-	-	-	-	-	-	-

Soft-start and quick exhaust valves MS6-SV-C, MS series

Peripherals overview

Soft-start and quick exhaust valve MS6-SV-C



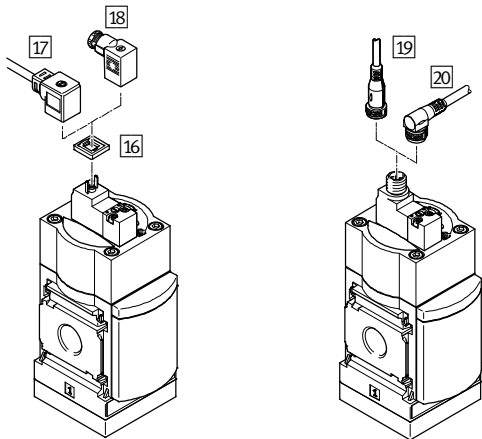
Note

Additional accessories:

- Module connector for combination with size MS4/MS6 or size MS9 → Internet: amv, rmv, armv
- Adapter plate for mounting on profiles → Internet: ipm-80, ipm-40-80, ipm-80-80

Supply voltage
 10V24/10V24C

Supply voltage
 10V24D/10V24P



Soft-start and quick exhaust valves MS6-SV-C, MS series

Peripherals overview

Mounting attachments and accessories						
		Individual device		Combination		→ Page/Internet
		Without connecting plate	With connecting plate	Without connecting plate	With connecting plate	
1	Cover cap MS6-END	-	-	■	-	ms6-end
2	Mounting plate MS6-AEND	■ ¹⁾	-	■ ¹⁾	-	ms6-aend
3	Connecting plate-SET MS6-AG...	-	■ ¹⁾	-	■ ¹⁾	ms6-ag
	Connecting plate-SET MS6-AQ...	-	■ ¹⁾	-	■ ¹⁾	ms6-aq
4	Mounting bracket MS6-WB	■	■	-	-	ms6-wb
5	Module connector MS6-MV	-	■	■	■	ms6-mv
6	Mounting bracket MS6-WP	■	■	■	■	ms6-wp
	Mounting bracket (not shown) MS6-WPB/WPE/WPM	■	■	■	■	ms6-wp
7	Silencer U-3/4-B	■	■	■	■	58
8	MS pressure gauge AG/RG	■	■	■	■	16
9	Adapter plate for EN pressure gauge 1/4 A4	■	■	■	■	16
10	Pressure gauge MA	■	■	■	■	59
11	Pressure sensor with operational status indicator AD7 ... AD10	■	■	■	■	16
12	Connecting cable NEBU-M8...-LE3	■	■	■	■	59
13	Pressure sensor with LCD display AD1 ... AD4	■	■	■	■	16
14	Connecting cable NEBU-M8...-LE3/NEBU-M12...-LE4	■	■	■	■	59
15	Cover MS6-SV-C-MK	■	■	■	■	57
16	Illuminating seal MEB-LD	■	■	■	■	59
17	Plug socket with cable KMEB	■	■	■	■	58
18	Plug socket MSSD-EB	■	■	■	■	58
19	Connecting cable NEBU-M12G5	■	■	■	■	59
20	Connecting cable NEBU-M12W5	■	■	■	■	59

1) Module connector MS6-MV [5] or mounting bracket MS6-WP/WPB/WPE/WPM [6] is required for mounting.



New

MS...-10V24C/10V24D

Soft-start and quick exhaust valves MS6-SV-C, MS series

FESTO

Type codes

		MS	6	-	SV	-	1/2	-	C	-	10V24	-	S
Series													
MS	Standard service unit												
Size													
6	Grid dimension 62 mm												
Service function													
SV	Soft-start and quick exhaust valve												
Pneumatic connection													
1/2	Female thread G1/2												
Performance level													
C	Category 1, to EN ISO 13849-1												
Supply voltage													
10V24	Supply voltage 24 V DC												
Silencer													
S	Silencer												

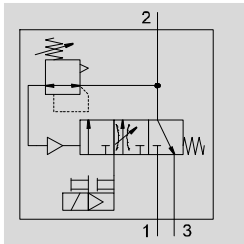
Additional variants can be ordered using the modular product system → 16

- Pneumatic connection
- Supply voltage
- Pressure gauge/pressure gauge alternatives
- Alternative pressure gauge scale
- Type of mounting
- Tamper protection
- Flow direction

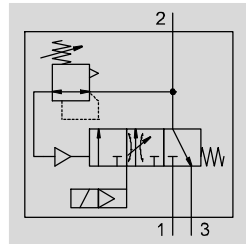
Soft-start and quick exhaust valves MS6-SV-C, MS series





Technical data

MS6-SV-...-10V24/10V24P



MS6-SV-...-10V24C/10V24D




-  Flow rate
5,700 l/min
-  Temperature range
0 ... +60 °C
-  Operating pressure
3 ... 10 bar
-  www.festo.com

Electro-pneumatic soft-start and quick exhaust valve for gradual pressurisation and quick exhausting of system components (single channel). The main flow control valve in the cover permits a gradual build-up of output pressure p2. Once the output pressure p2 has reached the set pressure switchover point (switching pressure), the valve opens and the full operating pressure p1 is present at the output.

- Suitable for applications with high flow rates and restricted space with medium safety requirements up to controller category 1, performance level "c"
- High volumetric flow rate for pressurisation and venting
- The filling flow rate can be set via a flow control valve for gradual pressure build-up
- Adjustable pressure switchover point
- Optional pressure sensor
- Optional cover for the control sections as tamper protection

Safety characteristics	
Conforms to standard	EN ISO 13849-1
Safety function	Exhausting
	Avoidance of unexpected start-up (pressurisation)
Performance level (PL)	Exhausting: up to category 1, PL c
	Avoidance of unexpected start-up (pressurisation): up to category 1, PL c
Note on forced dynamisation	Switching frequency min. 1/month
CE marking (see declaration of conformity) ¹⁾	To EC Machinery Directive
Shock resistance	Shock test with severity level 2 according to FN 942017-5 and EN 60068-2-27
Vibration resistance	Transport application test with severity level 2 according to FN 942017-4 and EN 60068-2-6

1) Additional information www.festo.com/sp → Certificates.

-  **Note on forced dynamisation: switching frequency min. 1/month**

The mechanical system is not tested in the controlled (i.e. pressurised) state. If the process-related switching frequency (safe exhausting) is less than once a month, the machine's operator has to carry out a forced switch off.

Soft-start and quick exhaust valves MS6-SV-C, MS series

FESTO

Technical data

General technical data	
Pneumatic connection 1, 2	
Female thread	G $\frac{1}{2}$
Connecting plate AG...	G $\frac{1}{4}$, G $\frac{3}{8}$, G $\frac{1}{2}$ or G $\frac{3}{4}$
Connecting plate AQ...	NPT $\frac{1}{4}$, NPT $\frac{3}{8}$, NPT $\frac{1}{2}$ or NPT $\frac{3}{4}$
Pneumatic connection 3	G $\frac{3}{4}$
Actuation type	Electric
Design	Piston spool valve
Type of mounting	Via accessories
	In-line installation
Mounting position	Any
Pressure indicator	Via pressure sensor for displaying output pressure via LCD display and electrical output
	Via pressure sensor for displaying output pressure via operational status indicator and electrical output
	Via pressure gauge for displaying output pressure
	Via pressure gauge with red/green scale for displaying output pressure
	G $\frac{1}{4}$ prepared
Valve function	3/2-way valve, closed, single solenoid
	Soft-start function, adjustable
Non-overlapping	Yes
Exhaust function	No flow control
Manual override	10V24
	At the pilot solenoid valve: non-detenting
	At the soft-start and quick exhaust valve: detenting, self-resetting
	10V24P
	At the pilot solenoid valve: non-detenting/detenting
	At the soft-start and quick exhaust valve: detenting, self-resetting
	10V24C/10V24D
	None
Reset method	Mechanical spring
Type of control	Piloted
Pilot air supply	Internal
Sealing principle	Soft

• † Note: This product conforms to ISO 1179-1 and to ISO 228-1

Flow rate characteristics	
Pneumatic connection	Female thread G $\frac{1}{2}$
Standard nominal flow rate q_{N1} [l/min]	
In main flow direction 1 \rightarrow 2	5,700
Standard flow rate q_N [l/min], $p_2 = 6$ bar	
In venting direction 2 \rightarrow 3	7,600 ²⁾
C value [l/s*min]	
In main flow direction 1 \rightarrow 2	23.2
b value	
In main flow direction 1 \rightarrow 2	0.4

1) Measured at $p_1 = 6$ bar and $p_2 = 5$ bar, $\Delta p = 1$ bar

2) Measured with respect to atmosphere with silencer S

Electrical data		
Coil characteristics	10V24/10V24P	24 V DC: 1.8 W; permissible voltage fluctuations $-10\%/+10\%$
	10V24C/10V24D	24 V DC: 1.8 W; permissible voltage fluctuations $-15\%/+10\%$
Electrical connection	10V24/10V24C	Plug, 2-pin, to EN 175301-803, type C
	10V24D/10V24P	M12x1 to ISO 20401 suitable to EN 61076-2-101
Protection class		IP65 with plug socket
Duty cycle	[%]	100
Switching time off	[ms]	65
Switching time on	[ms]	370

Soft-start and quick exhaust valves MS6-SV-C, MS series

FESTO

Technical data

Operating and environmental conditions	
Operating pressure [bar]	3 ... 10
Operating medium	Compressed air according to ISO 8573-1:2010 [7:4:4]
Note on operating/pilot medium	Lubricated operation possible (in which case lubricated operation will always be required)
Ambient temperature [°C]	0 ... +60 (0 ... +50) ¹⁾
Temperature of medium [°C]	0 ... +60 (0 ... +50) ¹⁾
Storage temperature [°C]	-10 ... +60 (0 ... +50) ¹⁾
Corrosion resistance class CRC ²⁾	2
CE marking (see declaration of conformity) ³⁾	To EU Machinery Directive

1) With pressure sensor AD...

2) Corrosion resistance class CRC 2 to Festo standard FN 940070

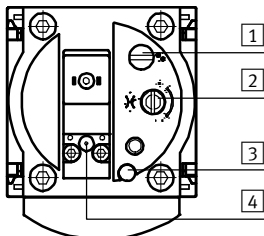
Moderate corrosion stress. Indoor applications in which condensation may occur. External visible parts with primarily decorative requirements for the surface and which are in direct contact with the ambient atmosphere typical for industrial applications.

3) Additional information www.festo.com/sp → Certificates.

Weight [g]	
Soft-start and quick exhaust valve	886
Soft-start and quick exhaust valve with silencer S	1,006

Materials	
Housing	Die-cast aluminium
Piston rod	High-alloy stainless steel
Seals	NBR
Note on materials	RoHS-compliant

Adjusting elements



1 Screw for adjusting the pressure switchover point

2 Flow control screw for adjusting the filling time

3 Manual override at the soft-start and quick exhaust valve:

- Detenting, self-resetting as soon as the solenoid coil or manual override at the pilot solenoid valve is actuated (with 10V24/10V24P).

4 Manual override at the pilot solenoid valve:

- Non-detenting, actuation from above (with 10V24)
- Non-detenting/detenting, actuation from above (with 10V24P)

New
MS...-10V24C/10V24D

Soft-start and quick exhaust valves MS6-SV-C, MS series

Technical data



Dimensions – Basic design

Download CAD data → www.festo.com

With female thread 1/2, with cover plate

Supply voltage
10V24/10V24C

Supply voltage
10V24D/10V24P

1 = Unused
 2 = Unused
 3 = com (-)
 4 = Signal (+) solenoid 14

With silencer S

1 Plug connection to EN 175301-803
 2 Electrical connection M12x1 to ISO 20401 suitable to EN 61076-2-101, version 4 pin for connecting cable NEBU-M12

→ Flow direction

Type	B1	B4	B5	D1	D2	D5	L1	L2	L4
MS6-SV-C	62	31	76	G1/2	M12x1	G3/4	144	71	128

Type	L8		L9	
	10V24/10V24C	10V24D/10V24P	10V24/10V24C	10V24D/10V24P
MS6-SV-C	33	37	24	26

Note: This product conforms to ISO 1179-1 and to ISO 228-1

Dimensions – Pressure gauge/pressure gauge alternatives

Download CAD data → www.festo.com

Integrated MS pressure gauge with standard scale AG or red/green scale RG, display unit [bar]

Adapter plate A4 for EN pressure gauge 1/4, without pressure gauge

Type	B4	B5	D4
MS6-SV-...-AG	31	77	-
MS6-SV-...-RG	31	78.5	-
MS6-SV-...-A4	31	78.5	G1/4

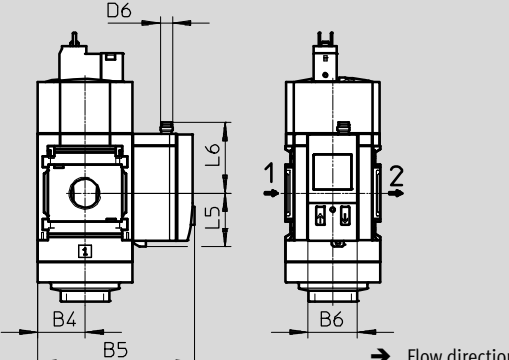
Note: This product conforms to ISO 1179-1 and to ISO 228-1

Soft-start and quick exhaust valves MS6-SV-C, MS series

FESTO

Technical data

Dimensions – Pressure gauge/pressure gauge alternatives Download CAD data → www.festo.com
 Pressure sensor with LCD display AD1 ... AD4 Technical data → Internet: sde1



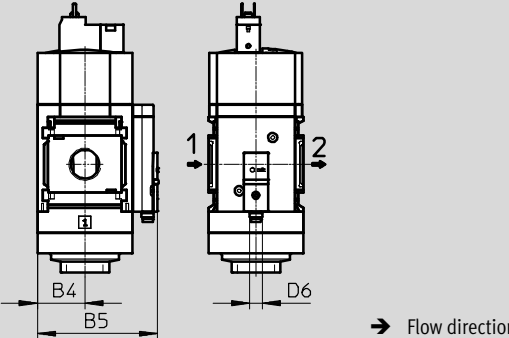
Variant AD1:
SDE1-D10-G2-MS-L-P1-M8 with 3-pin plug M8x1, 1 switching output PNP

Variant AD2:
SDE1-D10-G2-MS-L-N1-M8 with 3-pin plug M8x1, 1 switching output NPN

Variant AD3:
SDE1-D10-G2-MS-L-PI-M12 with 4-pin plug M12x1, 1 switching output PNP and 4 ... 20 mA analogue

Variant AD4:
SDE1-D10-G2-MS-L-NI-M12 with 4-pin plug M12x1, 1 switching output NPN and 4 ... 20 mA analogue

Pressure sensor with operational status indicator AD7 ... AD10 Technical data → Internet: sde5



Variant AD7:
SDE5-D10-O-...-P-M8 with 3-pin plug M8x1, threshold value comparator, 1 switching output PNP, N/O contact

Variant AD8:
SDE5-D10-C-...-P-M8 with 3-pin plug M8x1, threshold value comparator, 1 switching output PNP, N/C contact

Variant AD9:
SDE5-D10-O3-...-P-M8 with 3-pin plug M8x1, window comparator, 1 switching output PNP, N/O contact

Variant AD10:
SDE5-D10-C3-...-P-M8 with 3-pin plug M8x1, window comparator, 1 switching output PNP, N/C contact

Type	B4	B5	B6	D6	L5	L6
MS6-SV-...-AD1/AD2	31	102	32.3	M8x1	35.1	46.7
MS6-SV-...-AD3/AD4				M12x1		55.8
MS6-SV-...-AD7/AD8/AD9/AD10	31	79	–	M8x1	–	–

★ Core product range

Ordering data		
Size	Connection	With silencer
		Part No. Type
Cover plate		
MS6	G½	★ 8001469 MS6-SV-½-C-10V24-S

Festo core product range

- ★ Ready for dispatch from the Festo factory in 24 hours
- ☆ Ready for dispatch in 5 days maximum from stock

Soft-start and quick exhaust valves MS6-SV-C, MS series

Ordering data – Modular products

Mandatory data →						
Module No.	Series	Size	Function	Pneumatic connection	Performance level	Supply voltage
548713	MS	6	SV	1/2, AG..., AQ...	C	10V24, 10V24C, 10V24D, 10V24P
Ordering example						
548713	MS	6	- SV	- AGB	- C	- 10V24

Ordering table					
Grid dimension	[mm]	62	Conditions	Code	Enter code
M	Module No.	548713			
	Series	Standard		MS	MS
	Size	6		6	6
	Function	Soft-start and quick exhaust valve		-SV	-SV
	Pneumatic connection	Female thread G1/2		-1/2	
		Connecting plate G1/4		-AGB	
		Connecting plate G3/8		-AGC	
		Connecting plate G1/2		-AGD	
		Connecting plate G3/4		-AGE	
		Connecting plate NPT1/4		-AQN	
		Connecting plate NPT3/8		-AQP	
		Connecting plate NPT1/2		-AQR	
		Connecting plate NPT3/4		-AQS	
	Performance level	Category 1, 1-channel, to EN ISO 13849-1		-C	-C
	Supply voltage	24 V DC (pin allocation to EN 175301), 3 ... 10 bar		-10V24	
		24 V DC (pin allocation to EN 175301), 3 ... 10 bar, without manual override		-10V24C	
		24 V DC, M12x1 to ISO 20401 suitable to EN 61076-2-101, 3 ... 10 bar, without manual override		-10V24D	
		24 V DC, M12x1 to ISO 20401 suitable to EN 61076-2-101, 3 ... 10 bar		-10V24P	

Transfer order code

548713	MS	6	- SV	-		- C	-	
--------	----	---	------	---	--	-----	---	--

Soft-start and quick exhaust valves MS6-SV-C, MS series

FESTO

Ordering data – Modular products

Options					
Silencer	Pressure gauge/ pressure gauge alternatives	Alternative pressure gauge scale	Type of mounting	Tamper protection	Flow direction
S	AG, A4, RG, AD1 ... AD4, AD7 ... AD10	PSI, MPA	WP, WPM, WPB, WB	MK	Z
- S	- AG	-	- WP	-	-

Ordering table					
Grid dimension	[mm]	62	Condi- tions	Code	Enter code
0 Silencer		Silencer		-S	
Pressure gauge/pressure gauge alternatives		MS pressure gauge	1	-AG	
		Adapter plate for EN pressure gauge 1/4, without pressure gauge		-A4	
		Integrated pressure gauge, red/green scale	1	-RG	
		Pressure sensor with LCD display, plug M8, 1 switching output PNP, 3-pin	2	-AD1	
		Pressure sensor with LCD display, plug M8, 1 switching output NPN, 3-pin	2	-AD2	
		Pressure sensor with LCD display, plug M12, 1 switching output PNP, 4-pin, analogue output 4 ... 20 mA	2	-AD3	
		Pressure sensor with LCD display, plug M12, 1 switching output NPN, 4-pin, ana- logue output 4 ... 20 mA	2	-AD4	
		Pressure sensor with operational status indicator, plug M8, threshold value comparator, PNP, N/O contact	2	-AD7	
		Pressure sensor with operational status indicator, plug M8, threshold value comparator, PNP, N/C contact	2	-AD8	
		Pressure sensor with operational status indicator, plug M8, window comparator, PNP, N/O contact	2	-AD9	
	Pressure sensor with operational status indicator, plug M8, window comparator, PNP, N/C contact	2	-AD10		
Alternative pressure gauge scale		psi	3	-PSI	
		MPa	3	-MPA	
Type of mounting		Mounting bracket standard design		-WP	
		Mounting bracket for attaching the service units	4	-WPM	
		Mounting bracket for large wall gap		-WPB	
		Mounting bracket centrally at rear (wall mounting top and bottom), connecting plates not required		-WB	
Tamper protection		Complete (manual override at soft-start/quick exhaust valve locked, adjusting screw locked, manual override at pilot solenoid valve locked)		-MK	
Flow direction		Flow direction from right to left		-Z	

1 AG, RG Pressure gauge scale in bar

2 AD1 ... AD4, AD7 ... AD10
Measuring range max. 10 bar

3 PSI, MPA Only in combination with pressure gauge AG or RG.

With pressure gauge RG: PSI scale serves only as an auxiliary scale (inner scale), outer
scale in bar

4 WPM Only with connecting plate AGB, AGC, AGD, AGE, AQN, AQP, AQR or AQS

Transfer order code

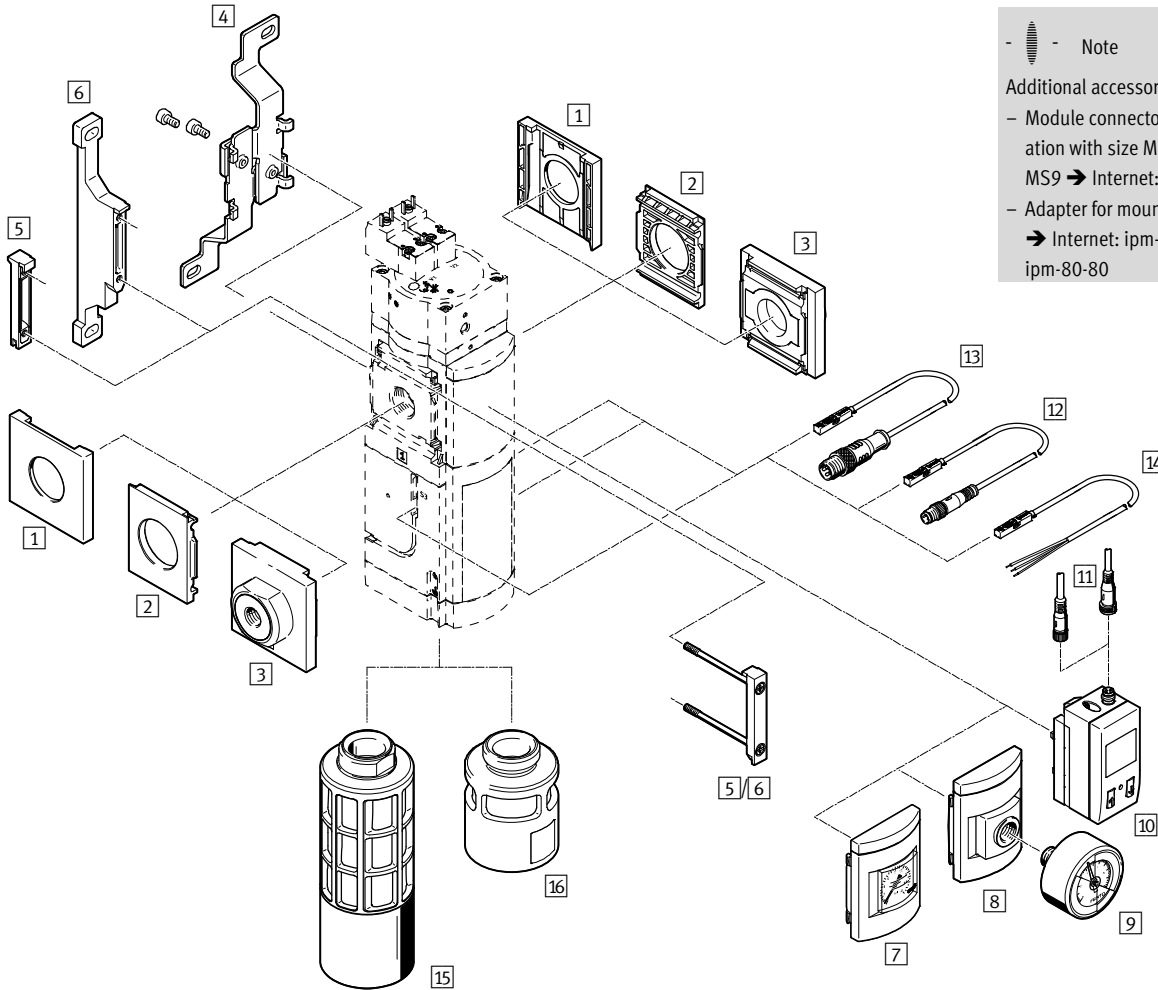
- [] - [] - [] - [] - [] - []


Soft-start and quick exhaust valves MS6-SV-D, MS series

Peripherals overview



Soft-start and quick exhaust valve MS6-SV-D



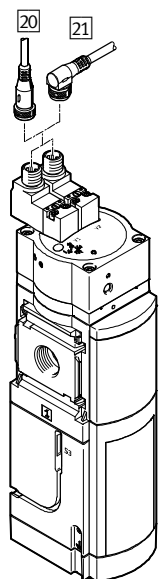
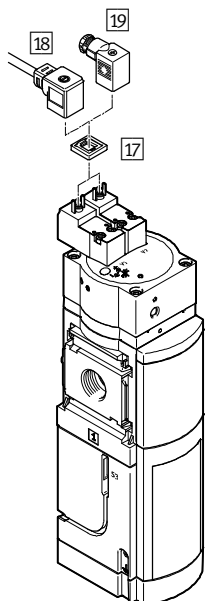
-  - Note

Additional accessories:

- Module connector for combination with size MS4/MS6 or size MS9 → Internet: amv, rmv, armv
- Adapter for mounting on profiles → Internet: ipm-80, ipm-40-80, ipm-80-80

Supply voltage
10V24

Supply voltage
10V24P



Soft-start and quick exhaust valves MS6-SV-D, MS series

Peripherals overview

Mounting components and accessories						
		Individual device		Combination		→ Page/Internet
		Without connecting plate	With connecting plate	Without connecting plate	With connecting plate	
1	Cover cap MS6-END	-	-	■	-	ms6-end
2	Mounting plate MS6-AEND	■ ¹⁾	-	■ ¹⁾	-	ms6-aend
3	Connecting plate kit MS6-AG...	-	■ ¹⁾	-	■ ¹⁾	ms6-ag
	Connecting plate kit MS6-AQ...	-	■ ¹⁾	-	■ ¹⁾	ms6-aq
4	Mounting bracket MS6-WB	■	■	-	-	ms6-wb
5	Module connector MS6-MV	-	■	■	■	ms6-mv
6	Mounting bracket MS6-WP	■	■	■	■	ms6-wp
	Mounting bracket (not shown) MS6-WPB/WPE/WPM	■	■	■	■	ms6-wp
7	MS pressure gauge AG/RG	■	■	■	■	28
8	Adapter for EN pressure gauge 1/4 A4	■	■	■	■	28
9	Pressure gauge MA	■	■	■	■	59
10	Pressure sensor with LCD display AD1 ... AD4	■	■	■	■	28
11	Connecting cable NEBU-M8...-LE3/NEBU-M12...-LE4	■	■	■	■	59
12	Proximity sensor 2M8/S3, SMT-8M-A...-M8D	■	■	■	■	28, 58
13	Proximity sensor 2M12/S3, SMT-8M-A...-M12	■	■	■	■	28, 58
14	Proximity sensor 2OE/S3, SMT-8M-A...-OE	■	■	■	■	28, 58
15	Pneumatic Silencer SO, UOS-1	■	■	■	■	28, 56
16	Pneumatic Silencer UOS-1-LF	■	■	■	■	56
17	Illuminating seal MEB-LD	■	■	■	■	59
18	Plug socket with cable KMEB	■	■	■	■	58
19	Plug socket MSSD-EB	■	■	■	■	58
20	Connecting cable NEBU-M12G5	■	■	■	■	59
21	Connecting cable NEBU-M12W5	■	■	■	■	59

1) Module connector MS6-MV ⁵⁾ or mounting bracket MS6-WP/WPB/WPE/WPM ⁶⁾ is required for mounting.

Soft-start and quick exhaust valves MS6-SV-D, MS series

Type codes

MS 6 - SV - 1/2 - D - 10V24 - 20E - SO - AG

Series	
MS	Standard service unit
Size	
6	Grid dimension 62 mm
Service function	
SV	Soft-start and quick exhaust valve
Pneumatic connection	
1/2	Female thread G1/2
Performance Level	
D	Category 3, 2-channel, to EN ISO 13849-1
Supply voltage	
10V24	24 V DC (connection to EN 175301)
10V24P	24 V DC, M12 to IEC 61076-2-101
Connection technology	
2M8	2 proximity sensors SMT (cable with plug connector M8x1, 3-pin, cable length 0.3 m)
2M12	2 proximity sensors SMT (cable with plug connector M12x1, 3-pin, cable length 0.3 m)
20E	2 proximity sensors SMT (cable with open end, cable length 5 m)
Pneumatic silencer	
	Without pneumatic silencer
SO	Pneumatic silencer open
Pressure gauge/pressure gauge alternatives	
	Cover plate
AG	MS pressure gauge

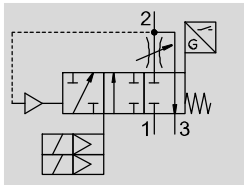
Additional variants can be ordered using the modular product system → 28

- Pneumatic connection
- Extended sensing
- Pressure gauge/pressure gauge alternatives
- Alternative pressure gauge scale
- Type of mounting
- UL certification
- Flow direction

Soft-start and quick exhaust valves MS6-SV-D, MS series

Technical data

Function



- - Flow rate
4300 l/min
- - Temperature range
-10 ... +50 °C
- - Operating pressure
3.5 ... 10 bar
- - www.festo.com



The electropneumatic soft-start and quick exhaust valve is used to reduce pressure quickly and safely and to build up pressure gradually in industrial pneumatic piping systems and terminal equipment.

The MS6-SV-D has two safety functions:

- pressure release
- protection from unexpected start-up (non-switching)

The MS6-SV-D has a 2-channel structure, i.e. it has two internal 2-way

valves which can be controlled separately by pilot valves (V1 and V2) situated on the cover. These valves are actuated when both coils are energised simultaneously; this changes the MS6-SV-D from the normal position to the switching position. The outlet pressure p2 rises slowly in accordance with the throttle setting. The main seat opens when the switch-through pressure is reached. The normal position is achieved by switching off both coils.

Two proximity sensors (S1 and S2) secured on the housing monitor the directional control valves. A further proximity sensor (S3) can optionally be added to monitor the soft-start valve.

The MS6-SV-D can achieve various categories and safety levels to EN ISO 13849-1 depending on how the directional control valves are monitored.

Where there is appropriate integration into the control chain as well as

appropriate linking of the signals for initial position sensing with the signals for activation (plausibility checking):

- Performance Level d/category 3 to EN ISO 13849-1 and EN ISO 13849-2 can be achieved when using sensors S1 and S2 and
- Performance Level e/category 4 to EN ISO 13849-1 and EN ISO 13849-2 can be achieved when using sensors S1, S2 and S3.

- - Note

To avoid back pressures, it is recommended that the device be operated together with the silencer UOS-1. The silencer can be ordered via the modular product system (SO → 30) or as an accessory (UOS-1 → 58).

- - Note

Only devices that do not impair pressure release may be positioned downstream of the MS6-SV-...-D. The MS6-SV-...-D is not permitted for use as a press safety valve.

- Conforms to standard IEC 61508
- Switching time delay adjustable via a flow control valve for gradual pressure build-up; main seat opens at approx. 50% of operating pressure
- Optional pressure sensor


Soft-start and quick exhaust valves MS6-SV-D, MS series

Technical data

Safety characteristics		
Conforms to standard	EN ISO 13849-1 and EN ISO 13849-2	
Safety function	Exhausting	
	Avoidance of unexpected start-up (pressurisation)	
Performance Level (PL)	With sensing by S1 and S2	Exhausting: category 3, PL d or category 3, PL e ¹⁾
		Avoidance of unexpected start-up (pressurisation): category 3, PL d or category 3, PL e ¹⁾
	With sensing by S1, S2 and S3	Exhausting: category 4, PL e
		Avoidance of unexpected start-up (pressurisation): category 4, PL e
Safety integrity level (SIL)	Exhausting: SIL 3	
	Avoidance of unexpected start-up (pressurisation): SIL 3	
Note on forced dynamisation	Switching frequency min. 1/month	
CE marking (see declaration of conformity) ²⁾	To EC Machinery Directive	
Shock resistance	Shock test with severity level 2 according to FN 942017-5 and EN 60068-2-27	
Vibration resistance	Transport application test with severity level 2 according to FN 942017-4 and EN 60068-2-6	

1) Dependent on the average number of annual actuations (n_{op}).

2) Additional information www.festo.com/sp → Certificates.

 **Note on forced dynamisation: switching frequency min. 1/month**

The mechanical system is not tested in the controlled (i.e. pressurised) state. If the process-related switching frequency (safe exhausting) is less than once a month, the machine's operator has to carry out a forced switch off.

Soft-start and quick exhaust valves MS6-SV-D, MS series

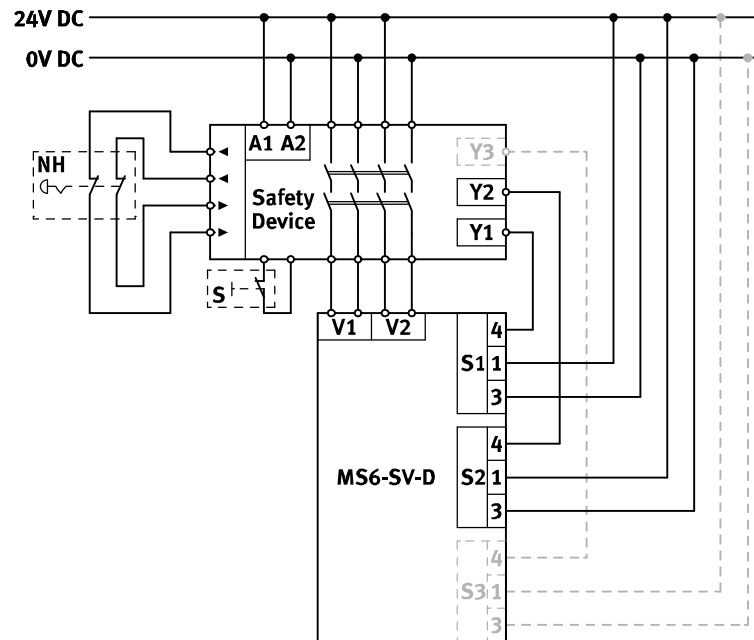
Technical data

Switching logic	Voltage at the pilot valve		Switching position Proximity sensor			Status
	V1	V2	S1	S2	S3	
In the normal position (completely exhausted MS6-SV-D), the pilot valves V1 and V2 are not actuated. If both pilot valves are actuated, the MS6-SV-D switches first into switching position 1 and then, when the switch-through pressure is reached, automatically into switching position 2.	0 V	0 V	1	1	1	Normal position Pneumatic port 1 closed, passage from pneumatic port 2 to 3 open
	24 V	0 V	0	1	1	Normal position Pneumatic port 1 closed, passage from pneumatic port 2 to 3 open
	0 V	24 V	1	0	1	Normal position Reduced flow through flow control valve from pneumatic port 1 to 2, passage from pneumatic port 2 to 3 open
	24 V	24 V	0	0	1	Switching element position 1 Reduced flow through flow control valve from pneumatic port 1 to 2, passage from pneumatic port 2 to 3 closed
	24 V	24 V	0	0	0	Switching position 2 Full flow from pneumatic port 1 to 2, passage from pneumatic port 2 to 3 closed

Proximity sensor response times ¹⁾		
Proximity sensor	Switching on	Switching off
S1	Edge change max. 4 s after voltage signal at V1.	Edge change max. 4 s after voltage drop at V1.
S2	Edge change max. 4 s after voltage signal at V2.	Edge change max. 4 s after voltage drop at V2.
S3	Edge change after voltage signal at V1 and V2. Dependent on operating pressure p1, throttle position and system volume p2	Edge change max. 5 s after voltage drop at V1 and V2. Dependent on system volume at p2.

1) When the proximity sensors undergo an edge change, bounce can occur. This bounce can be ignored by taking the response times into account. The maximum specified response times must be considered in the diagnostics. The response times are normally shorter.

Example circuit



- A1, A2: Supply voltage
- S1: Proximity sensor S1
- S2: Proximity sensor S2
- S3: Proximity sensor S3
- NH: Emergency stop (input circuit)
- Safety device: Safety switching device or safety PLC
- V1: Coil connection, pilot valve V1
- V2: Coil connection, pilot valve V2
- Y1: Diagnostic input 1
- Y2: Diagnostic input 2
- Y3: Diagnostic input 3
- S: Monitored start (start circuit)

Soft-start and quick exhaust valves MS6-SV-D, MS series

FESTO

Technical data

General technical data	
Pneumatic port 1, 2	
Female thread	G1/2
Connecting plate AG...	G1/4, G3/8, G1/2 or G3/4
Connecting plate AQ...	NPT1/4, NPT3/8, NPT1/2 or NPT3/4
Pneumatic port 3	G1
Actuation type	Electric
Design	Piston seat
Type of mounting	Via accessories
	In-line installation
Mounting position	Any
Pressure indicator	Via pressure sensor for displaying output pressure via LCD display and electrical output
	Via pressure gauge for displaying output pressure
	Via pressure gauge with red/green scale for displaying output pressure
	G1/4 prepared
Position sensing principle	Magnetic piston principle
Valve function	3/2-way valve, closed, single solenoid
	Soft-start function, adjustable
Non-overlapping	No
Exhaust function	No flow control
Manual override	None
Reset method	Mechanical spring
Type of control	Piloted
Pilot air supply	Internal
Sealing principle	Soft

- | - Note: This product conforms to ISO 1179-1 and to ISO 228-1

Flow rate characteristics	
Pneumatic connection	Female thread G1/2
Standard nominal flow rate $q_{nN}^{1)}$ [l/min]	
In main flow direction 1 \rightarrow 2	4300
Standard flow rate q_N [l/min], $p_2 = 6$ bar	
In venting direction 2 \rightarrow 3	9000 ²⁾
C value [l/s*min]	
In main flow direction 1 \rightarrow 2	19.3
b value	
In main flow direction 1 \rightarrow 2	0.21

1) Measured at $p_1 = 6$ bar and $p_2 = 5$ bar, $\Delta p = 1$ bar

2) Measured with respect to atmosphere with silencer UOS-1

Soft-start and quick exhaust valves MS6-SV-D, MS series

Technical data

Electrical data		
Pilot valve		
Coil characteristics		24 V DC: 1.8 W; permissible voltage fluctuations -15%/+10%
Electrical connection	10V24	2 x plug connectors, 2-pin, to EN 175301-803, type C
	10V24P	2 x M12x1 to ISO 20401 suitable to EN 61076-2-101
Degree of protection		IP65 with plug socket
Duty cycle	[%]	100
Max. switching frequency	[Hz]	1
Switching time off	[ms]	40
Switching time on	[ms]	130
Proximity sensor		
Nominal operating voltage	[V DC]	24
Electrical connection, proximity sensor	2M8	2 x cables with plug connector M8x1, 3-pin, rotatable thread, cable length 0.3 m
	2M12	2 x cables with plug connector M12x1, 3-pin, rotatable thread, cable length 0.3 m
	2OE	2 x cable with open end, 3-wire, cable length 5 m
	2M8 + S3	3 x cables with plug connector M8x1, 3-pin, rotatable thread, cable length 0.3 m
	2M12 + S3	3 x cables with plug connector M12x1, 3-pin, rotatable thread, cable length 0.3 m
	2OE + S3	3 x cable with open end, 3-wire, cable length 5 m
Switching element function		N/O contact
Measuring principle		Magneto-resistive
Signal status display		LED and switching outputs
Switching output		PNP

Operating and environmental conditions		
Operating pressure	[bar]	3.5 ... 10
Operating medium		Compressed air according to ISO 8573-1:2010 [7:4:4]
Note on operating/pilot medium		Lubricated operation possible (in which case lubricated operation will always be required)
Ambient temperature	[°C]	-10 ... +50 (0 ... +50) ¹⁾
Temperature of medium	[°C]	-10 ... +50 (0 ... +50) ¹⁾
Storage temperature	[°C]	-10 ... +50 (0 ... +50) ¹⁾
Corrosion resistance class CRC ²⁾		2
Noise level	[dB(A)]	75 (with silencer UOS-1)
CE marking (see declaration of conformity) ³⁾		To EU Machinery Directive
Certification (variant UL1)		c UL us - Recognized (OL)
Certification		RCM Mark

1) With pressure sensor AD...

2) Corrosion resistance class CRC 2 to Festo standard FN 940070

Moderate corrosion stress. Indoor applications in which condensation may occur. External visible parts with primarily decorative requirements for the surface and which are in direct contact with the ambient atmosphere typical for industrial applications.

3) Additional information www.festo.com/sp → Certificates.

Soft-start and quick exhaust valves MS6-SV-D, MS series

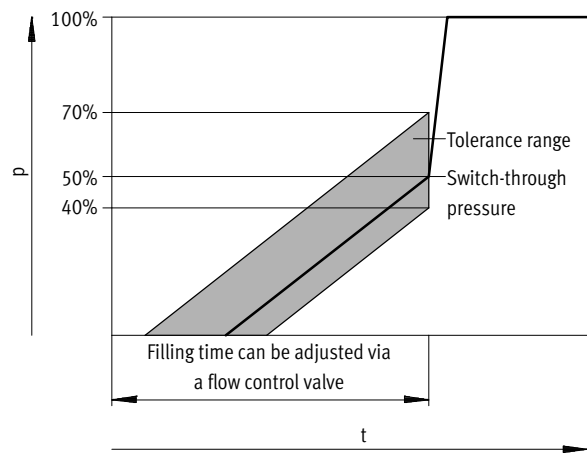
Technical data

Weight [g]	
Soft-start/quick exhaust valve	1900
Soft-start/quick exhaust valve with silencer UOS-1	2110

Materials	
Housing	Die-cast aluminium
Piston rod	High-alloy stainless steel
Seals	NBR
Note on materials	RoHS-compliant

Switch-through pressure

Pressure p as a function of time t



Note

The +20%/–10% switch-through pressure tolerance refers to the operating pressure p_1 .
 Example: A switch-through pressure from 1.6 bar to 2.8 bar is permissible at an operating pressure of 4 bar.

Soft-start and quick exhaust valves MS6-SV-D, MS series

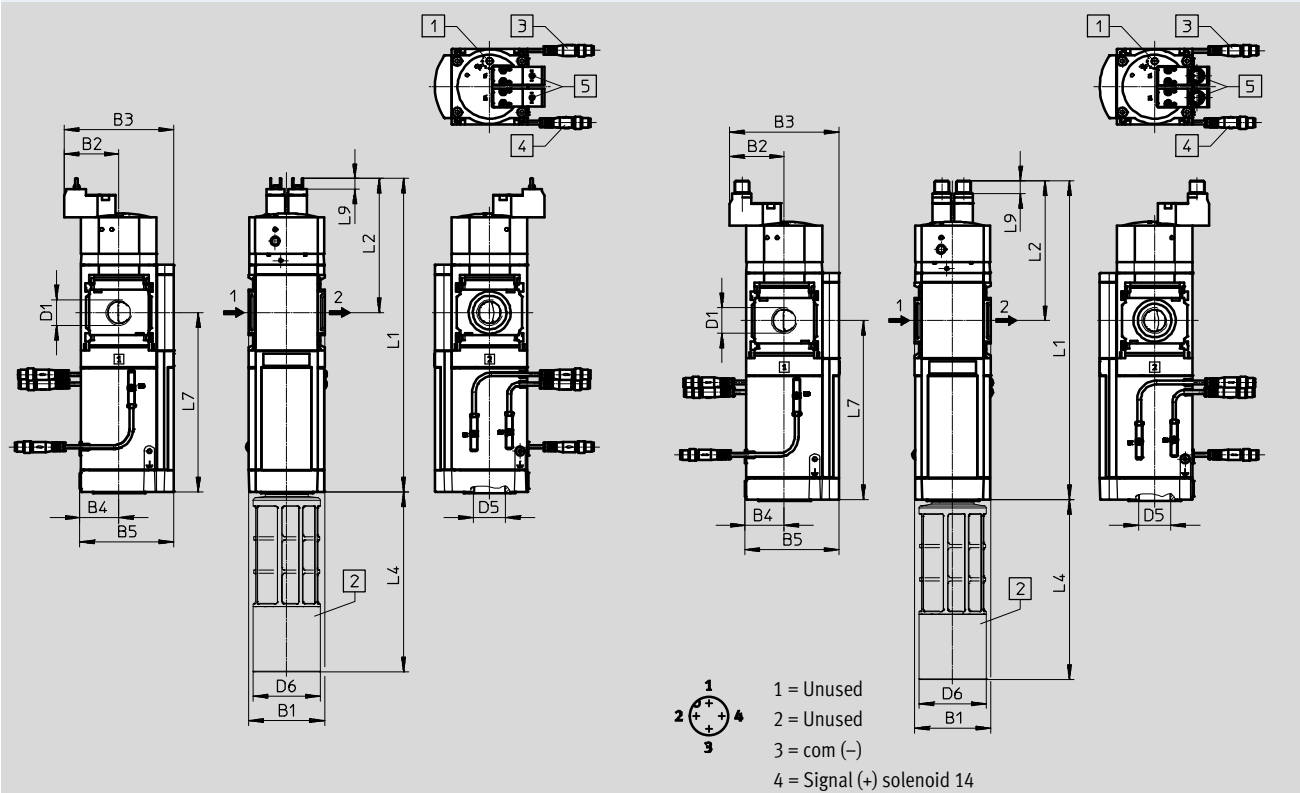
Technical data

Dimensions – Basic design

Download CAD data → www.festo.com

With supply voltage 10V24, with female thread 1/2, with cover plate

With supply voltage 10V24P, with female thread 1/2, with cover plate



- 1 Regulating screw for flow control valve
- 2 Silencer UOS-1
- 3 Extended sensing, variant S3: additional third proximity sensor SMT, port depends on connection technology chosen 4

- 4 Connection technology,
 - variant 2M8: 2 proximity sensors SMT with cable (plug connector M8x1, 3-pin, rotatable thread, cable length 0.3 m)
 - variant 2M12: 2 proximity sensors SMT with cable (plug connector M12x1, 3-pin, rotatable thread, cable length 0.3 m)
 - variant 20E: 2 proximity sensors SMT with cable (open end, 3-wire, cable length 5 m)

- 5 Supply voltage,
 - variant 10V24: Electrical connection to EN 175301-803, 2 x plug connectors, 2-pin, type C
 - variant 10V24P: Electrical connection 2 x M12x1 to ISO 20401 suitable to EN 61076-2-101, version 4 pin for connecting cable NEBU-M12

→ Flow direction

Type	B1	B2	B3	B4	B5	D1	D5	D6 ∅	L1	L2	L4	L7	L9
MS6-SV-1/2-D-10V24	62	45	90	31	76	G1/2	G1	55	257	110	147	147	9
MS6-SV-1/2-D-10V24P									262	115			11

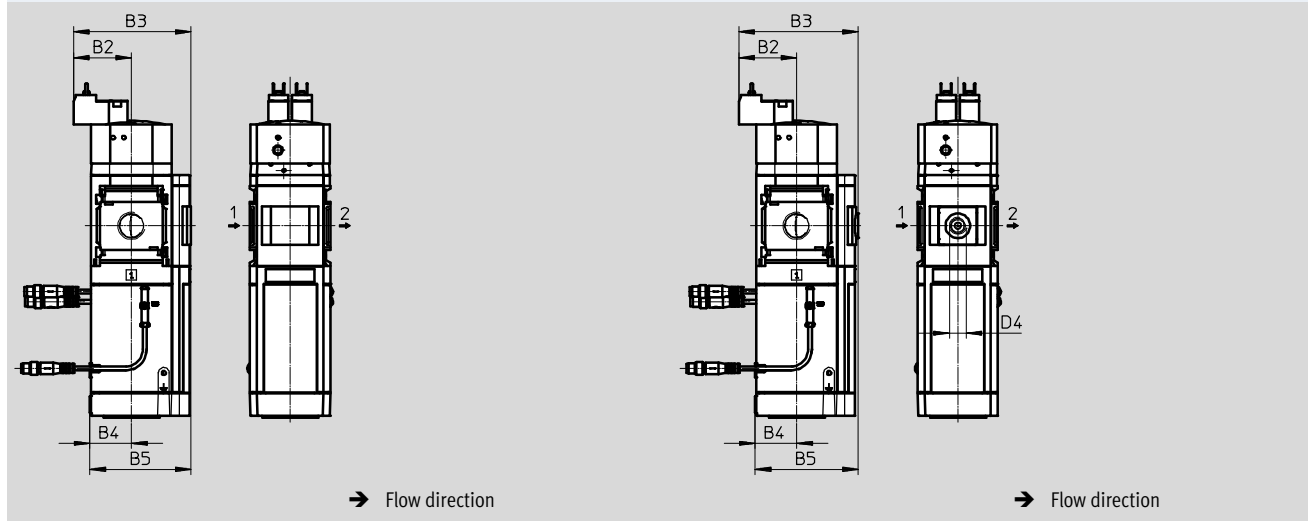
- | - Note: This product conforms to ISO 1179-1 and to ISO 228-1

Soft-start and quick exhaust valves MS6-SV-D, MS series

Technical data

Dimensions – Pressure gauge/pressure gauge alternatives Download CAD data → www.festo.com

Integrated MS pressure gauge with standard scale AG or red/green scale RG, display unit [bar] Adapter A4 for EN pressure gauge 1/4, without pressure gauge

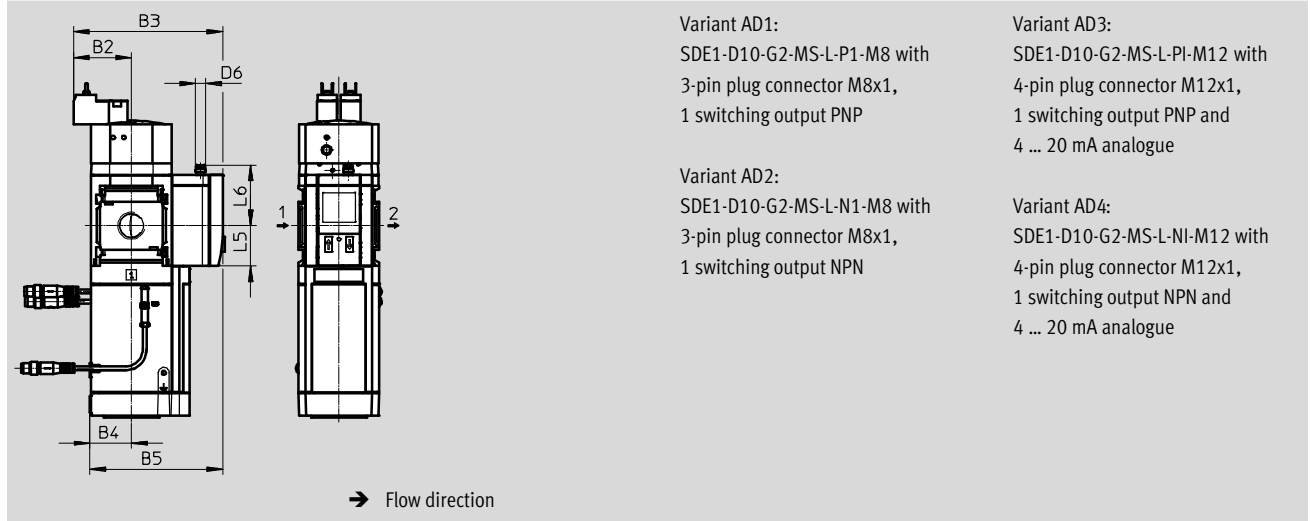


Type	B2	B3	B4	B5	D4
MS6-SV-...-D-...-AG	44	90	31	77	-
MS6-SV-...-D-...-RG	44	91.5	31	78.5	-
MS6-SV-...-D-...-A4	44	91.5	31	78.5	G1/4

Note: This product conforms to ISO 1179-1 and to ISO 228-1

Dimensions – Pressure gauge/pressure gauge alternatives Download CAD data → www.festo.com

Pressure sensor with LCD display AD1 ... AD4 Technical data → Internet: [sde1](http://sde1.festo.com)



Type	B2	B3	B4	B5	D6	L5	L6
MS6-SV-...-D-...-AD1/AD2	44	116	31	103	M8x1	31.2	46.8
MS6-SV-...-D-...-AD3/AD4					M12x1		55.8

Note: This product conforms to ISO 1179-1 and to ISO 228-1

Soft-start and quick exhaust valves MS6-SV-D, MS series

FESTO

Technical data

Ordering data				
Size	Port	Without pneumatic silencer, with cover plate		With silencer and MS pressure gauge with standard scale, display unit [bar]
		Part No.	Type	Part No. Type
Electrical connection to EN 175301-803 (2 x plug connectors, 2-pin, type C), 2 proximity sensors SMT with cable (plug connector M8x1, 3-pin, rotatable thread, cable length 0.3 m)				
MS6	G1/2	8038489	MS6-SV-1/2-D-10V24-2M8	8038490 MS6-SV-1/2-D-10V24-2M8-S0-AG
Electrical connection to IEC 61076-2-101 (2 x plug connectors M12x1, 2-pin for NEBU-M12), 2 proximity sensors SMT with cable (plug connector M12x1, 3-pin, rotatable thread, cable length 0.3 m)				
MS6	G1/2	–		8038491 MS6-SV-1/2-D-10V24P-2M12-S0-AG
Electrical connection to EN 175301-803 (2 x plug connectors, 2-pin, type C), 2 proximity sensors SMT with cable (open end, 3-wire, cable length 5 m)				
MS6	G1/2	–		8038492 MS6-SV-1/2-D-10V24-20E-S0-AG

Soft-start and quick exhaust valves MS6-SV-D, MS series



Ordering data – Modular products

M Mandatory data →

Module no.	Series	Size	Function	Pneumatic connection	Performance Level	Supply voltage	Connection technology
548713	MS	6	SV	1/2, AG..., AQ...	D	10V24, 10V24P	2M8, 2M12, 20E
Ordering example							
548713	MS	6	- SV	- AGB	- D	- 10V24	- 20E

Ordering table

Grid dimension	[mm]	62	Condi- tions	Code	Entry code
M Module no.	548713				
Series	Standard			MS	MS
Size	6			6	6
Function	Soft-start and quick exhaust valve			-SV	-SV
Pneumatic connection	Female thread G1/2			-1/2	
	Connecting plate G1/4			-AGB	
	Connecting plate G3/8			-AGC	
	Connecting plate G1/2			-AGD	
	Connecting plate G3/4			-AGE	
	Connecting plate NPT1/4			-AQN	
	Connecting plate NPT3/8			-AQP	
	Connecting plate NPT1/2			-AQR	
	Connecting plate NPT3/4			-AQS	
	Performance Level	Category 3, 2-channel, to EN ISO 13849-1			-D
Supply voltage	24 V DC (pin allocation to EN 175301)			-10V24	
	24 V DC, M12x1 to ISO 20401 suitable to EN 61076-2-101			-10V24P	
Connection technology	2 proximity sensors SMT with cable plug connector M8x1, 3-pin, rotatable thread, cable length 0.3 m)			-2M8	
	2 proximity sensors SMT with cable (plug connector M12x1, 3-pin, rotatable thread, cable length 0.3 m)			-2M12	
	2 proximity sensors SMT with cable (open end, 3-wire, cable length 5 m)			-20E	

Transfer order code

548713	MS	6	- SV		- D		
---------------	-----------	----------	-------------	--	------------	--	--

Soft-start and quick exhaust valves MS6-SV-D, MS series

Ordering data – Modular products

Options						
Extended sensing	Silencer	Pressure gauge/pressure gauge alternatives	Alternative pressure gauge scale	Type of mounting	UL certification	Flow direction
S3	S0	AG, A4, RG, AD1 ... AD4	PSI, MPA	WP, WPM, WPB, WB	UL1	Z
- S3	- S0	- AG		- WPB		

Ordering table					
Grid dimension	[mm]	62	Conditions	Code	Entry code
0	Extended sensing	Additional proximity sensor SMT; required to achieve Performance Level e; port depends on connection technology chosen		-S3	
	Silencer	Silencer open		-S0	
	Pressure gauge/pressure gauge alternatives	MS pressure gauge	1	-AG	
		Adapter for EN pressure gauge 1/4, without pressure gauge		-A4	
		Integrated pressure gauge, red/green scale	1	-RG	
		Pressure sensor with LCD display, plug connector M8, 1 switching output PNP, 3-pin		-AD1	
		Pressure sensor with LCD display, plug connector M8, 1 switching output NPN, 3-pin		-AD2	
		Pressure sensor with LCD display, plug connector M12, 1 switching output PNP, 4-pin, analogue output 4 ... 20 mA		-AD3	
		Pressure sensor with LCD display, plug connector M12, 1 switching output NPN, 4-pin, analogue output 4 ... 20 mA		-AD4	
	Alternative pressure gauge scale	psi	2	-PSI	
		MPa	2	-MPA	
	Type of mounting	Mounting bracket standard design		-WP	
		Mounting bracket for attaching the service units	3	-WPM	
		Mounting bracket for large wall gap		-WPB	
		Mounting bracket centrally at rear (wall mounting top and bottom), connecting plates not required		-WB	
	UL certification	cULus, ordinary location for Canada and USA		-UL1	
	Flow direction	Flow direction from right to left		-Z	

- 1 **AG, RG** Pressure gauge scale in bar
- 2 **PSI, MPA** Only in combination with pressure gauge AG or RG.
With pressure gauge RG: PSI scale serves only as an auxiliary scale (inner scale), outer scale in bar
- 3 **WPM** Only with connecting plates AGB, AGC, AGD, AGE, AQN, AQP, AQR or AQS

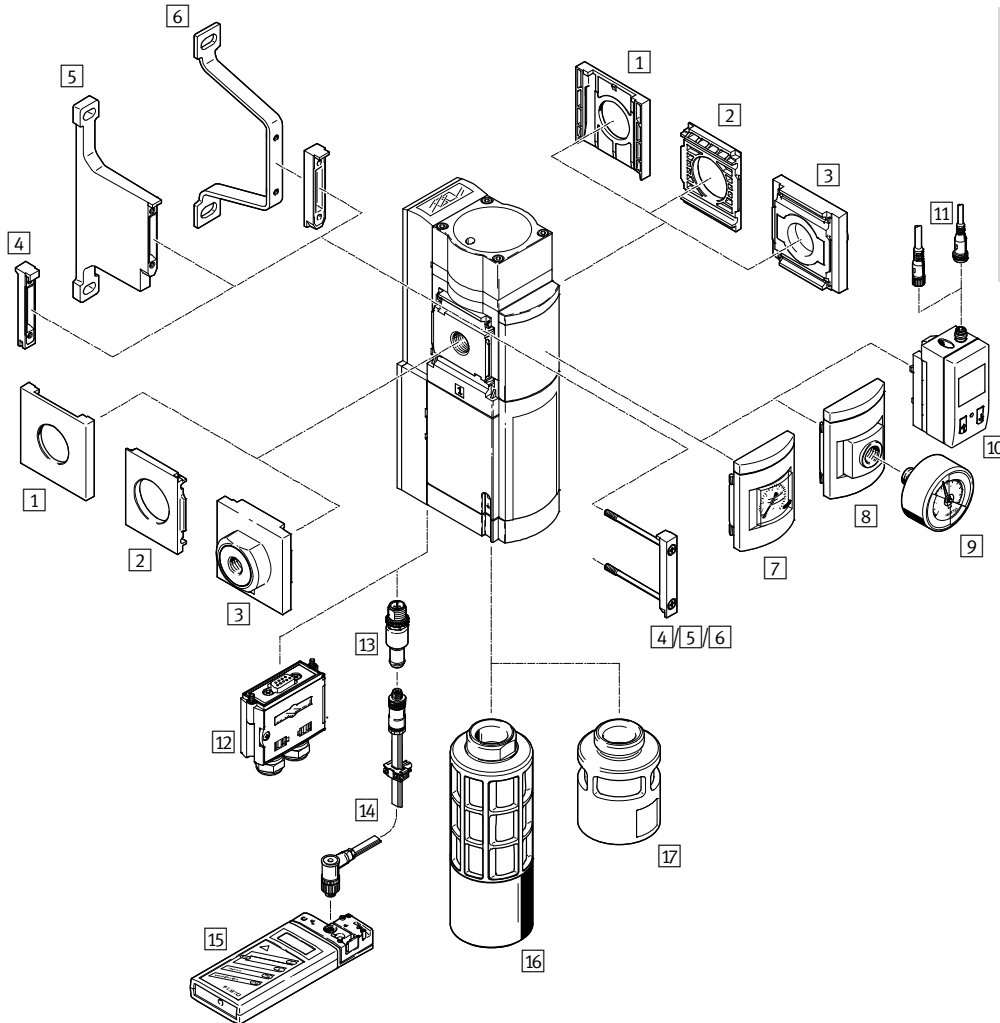
Transfer order code

- [] - [] - [] - [] - [] - [] - []

Soft-start and quick exhaust valves MS6-SV-E, MS series

Peripherals overview

Soft-start and quick exhaust valve MS6-SV-E



Note

Additional accessories:

- Module connector for combination with size MS4/MS6 or size MS9 → Internet: amv, rmv, armv
- Adapter plate for mounting on profiles → Internet: ipm-80, ipm-40-80, ipm-80-80

Soft-start and quick exhaust valves MS6-SV-E, MS series

Peripherals overview

Mounting attachments and accessories						
		Individual device		Combination		→ Page/Internet
		Without connect- ing plate	With connecting plate	Without connect- ing plate	With connecting plate	
1	Cover cap MS6-END	-	-	■	-	ms6-end
2	Mounting plate MS6-AEND	■ ¹⁾	-	■ ¹⁾	-	ms6-aend
3	Connecting plate-SET MS6-AG...	-	■ ¹⁾	-	■ ¹⁾	ms6-ag
	Connecting plate-SET MS6-AQ...	-	■ ¹⁾	-	■ ¹⁾	ms6-aq
4	Module connector MS6-MV	-	-	■	■	ms6-mv
5	Mounting bracket MS6-WPB	■	■	■	■	ms6-wpb
6	Mounting bracket MS6-WPE	■	■	■	■	ms6-wpe
7	MS pressure gauge AG/RG	■	■	■	■	44
8	Adapter plate for EN pressure gauge 1/4 A4	■	■	■	■	44
9	Pressure gauge MA	■	■	■	■	61
10	Pressure sensor with LCD display AD1 ... AD4	■	■	■	■	44
11	Connecting cable NEBU-M8...-LE3/NEBU-M12...-LE4	■	■	■	■	61
12	Multi-pin plug socket NECA	■	■	■	■	56
13	AS-i configuration plug CACC	■	■	■	■	59
14	Addressing cable KASI-ADR	■	■	■	■	kasi-asi
15	Addressing device ASI-PRG-ADR	■	■	■	■	asi-prg-adr
16	Silencer UOS-1	■	■	■	■	58
17	Silencer UOS-1-LF	■	■	■	■	58

1) Module connector MS6-MV or mounting bracket MS6-WPB/WPE is required for mounting.

Soft-start and quick exhaust valves MS6-SV-E, MS series

Type codes

MS 6 - SV - 1/2 - E - 10V24 - SO - AG

Series	
MS	Standard service unit
Size	
6	Grid dimension 62 mm
Service function	
SV	Soft-start and quick exhaust valve
Pneumatic connection	
1/2	Female thread G1/2
Performance level	
E	Category 4, 2-channel with self-monitoring, to EN ISO 13849-1
Supply voltage	
10V24	24 V DC
ASIS	22 ... 31.6 V DC, AS-i Safety at Work, SPEC3.0 Profile 7.5.5
Silencer	
	Without silencer
SO	Open silencer
Pressure gauge/pressure gauge alternatives	
AG	MS pressure gauge
AD1	Pressure sensor with LCD display, plug M8, 1 switching output PNP, 3-pin (only with supply voltage 10V24)

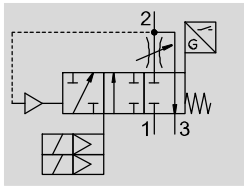
Additional variants can be ordered using the modular product system → 44

- Pneumatic connection
- Pressure gauge/pressure gauge alternatives
- Alternative pressure gauge scale
- Multi-pin plug socket
- Type of mounting
- UL certification
- Flow direction

Soft-start and quick exhaust valves MS6-SV-E, MS series

Technical data

Function



- - Flow rate
4,300 l/min
- - Temperature range
-10 ... +50 °C
- - Operating pressure
3.5 ... 10 bar
- - www.festo.com



The electro-pneumatic soft-start and quick exhaust valve is used to reduce pressure quickly and reliably and to build up pressure gradually in industrial pneumatic systems and terminals. The device is a self-testing, redundant mechatronic system conforming to the

requirements of EN ISO 13849-1. The safety-related pneumatic protection objective of safe venting is also guaranteed in the event of faults inside the valve (e.g. due to wear, contamination, electronic faults). Thanks to the 2-channel design and its monitoring, the device fulfils controller category 3

and 4 requirements. This enables a performance level of max. "e" to be attained. The device receives the secure enable signals (EN1/EN2) via the electrical connection (multi-pin plug socket NECA Sub-D, 9-pin or AS-i connecting cable). The signals in question come

from commercially available electronic or electromechanical safety switching devices which monitor the protective equipment of the machine (e.g. emergency stop, light curtain, electrical door switch of a protective enclosure, etc.).

Note
The MS6-SV-...-E-10V24 should only be used in combination with the multi-pin plug socket NECA approved for it. The multi-pin plug socket can be ordered via the modular product system (MP... → 44) or as an accessory (NECA → 56).

Note
To avoid back pressures, it is recommended that the device be operated together with the silencer UOS-1. The silencer can be ordered via the modular product system (SO → 44) or as an accessory (UOS-1 → 58).

Note
Only devices that do not impair the pneumatic protective measure – safe venting – may be placed downstream of the MS6-SV-...-E. The MS6-SV-...-E is not permitted for use as a press safety valve.

- Performance level "e"/category 4 according to EN ISO 13849-1
- Conforms to standard IEC 61508
- Switching time delay adjustable via a flow control valve for gradual pressure build-up
- Optional pressure sensor

Safety characteristics		
Type	MS6-SV-...-E-10V24	MS6-SV-...-E-ASIS
Conforms to standard	EN ISO 13849-1	
Safety function	Exhausting	
	Avoidance of unexpected start-up (pressurisation)	
Performance level (PL)	Exhausting: up to category 4, PL e	
	Avoidance of unexpected start-up (pressurisation): up to category 4, PL e	
Safety integrity level (SIL)	Exhausting: SIL 3	
	Avoidance of unexpected start-up (pressurisation): SIL 3	
Note on forced dynamisation	Switching frequency min. 1/month	
Certificate issuing authority ¹⁾	IFA 1001180	TÜV Nord, Registration no. 44 799 12 556236 000
CE marking (see declaration of conformity) ¹⁾	To EU Machinery Directive	
	To EU EMC Directive	
Shock resistance	Shock test with severity level 2 according to FN 942017-5 and EN 60068-2-27	
Vibration resistance	Transport application test with severity level 2 according to FN 942017-4 and EN 60068-2-6	

1) Additional information www.festo.com/sp → Certificates.

Note on forced dynamisation: switching frequency min. 1/month
The mechanical system is not tested in the controlled (i.e. pressurised) state. If the process-related switching frequency (safe exhausting) is less than once a month, the machine's operator has to carry out a forced switch off.

- Additional functions of MS6-SV-...-E-ASIS:**
- Integrated pressure sensors via AS-i protocol
 - Pressure monitoring (under/over-shooting)

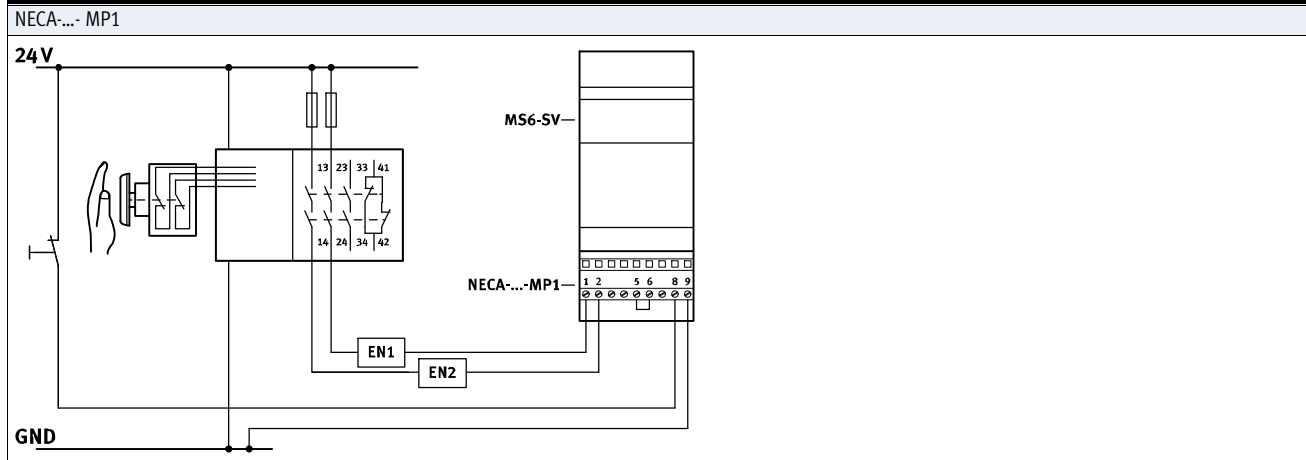
Soft-start and quick exhaust valves MS6-SV-E, MS series

Technical data

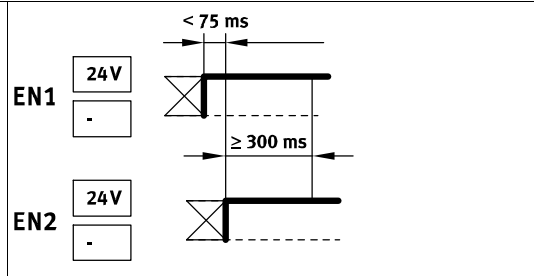


Operational principle of the multi-pin plug socket NECA				
Status of enable signal		Status of MS6-SV-...-E-10V24 with multi-pin plug		
EN1	EN2	NECA-...- MP1	NECA-...- MP3	NECA-...- MP5
0 V	0 V	Unpressurized	MS6-SV-...-E-10V24 goes into the fault mode.	MS6-SV-...-E-10V24 does not go into the fault mode, but remains in the safe, unpressurized status. Note: Cross-circuit detection and error detection/evaluation via external controller necessary.
0 V	24 V	MS6-SV-...-E-10V24 goes into the fault mode.	Pressurized	Pressurized
24 V	24 V	Pressurized	MS6-SV-...-E-10V24 goes into the fault mode.	MS6-SV-...-E-10V24 does not go into the fault mode, but remains in the safe, unpressurized status. Note: Cross-circuit detection and error detection/evaluation via external controller necessary.
24 V	0 V	MS6-SV-...-E-10V24 goes into the fault mode.	Unpressurized	Unpressurized

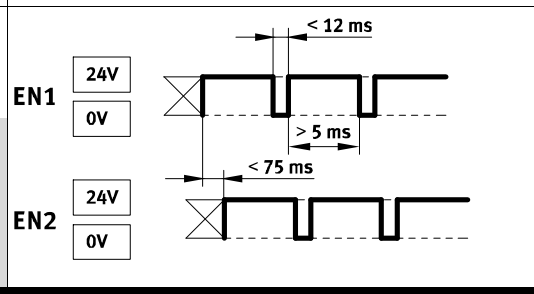
MS6-SV-...-E-10V24 with multi-pin plug socket NECA



– Static enable signals (EN1 = 24 V, EN2 = 24 V).



– Clocked enable signals (EN1 = 0 ... 24 V, EN2 = 0 ... 24 V) for cross-circuit detection. Cross-circuit detection with clock signals is in principle carried out by the safety switching device/safety PLC used.



Note
Given the fact that clock outputs from different controller manufacturers are not standardised, their usability must be checked in each case. If the clock pulse is outside of the described limits, this is recognised by the MS6-SV-...-E-10V24 as an error and a safe switch-off is performed.

Soft-start and quick exhaust valves MS6-SV-E, MS series

Technical data

MS6-SV...-E-10V24 with multi-pin plug socket NECA	
NECA...- MP3	
	<p>- - Note</p> <p>The multi-pin plug socket NECA-S1G9-P9-MP3 is intended for conventional circuitry with electromechanical safety relays. If problems arise in use with bipolar semiconductor outputs, use the multi-pin plug socket NECA-S1G9-P9-MP5.</p>
<ul style="list-style-type: none"> - Static enable signals with opposite potentials. - The time delay of the level change of the enable signals is monitored. - Behaviour on detection of a cross circuit: <ul style="list-style-type: none"> - MS6-SV...-E-10V24 in the exhausted status: remains in the safe status and goes into the fault mode. - MS6-SV...-E-10V24 in the pressurized status: goes into the safe status and goes into the fault mode. 	
NECA...- MP5	
	<p>- - Note</p> <p>A cross circuit between the enable signals (EN1/EN2) is not detected and does not cause an error response. The system can be pressurized only when the enable signals are applied correctly.</p>
<ul style="list-style-type: none"> - Static enable signals with opposite potentials. - The time delay of the level change of the enable signals is not monitored. - Behaviour on detection of a cross circuit (through upstream safety switching device/safety PLC): <ul style="list-style-type: none"> - MS6-SV...-E-10V24 in the exhausted status: remains in the safe status and does not go into the fault mode. - MS6-SV...-E-10V24 in the pressurized status: goes into the safe status and does not go into the fault mode. - Enable signal are galvanically separated from the supply voltage. 	<p>- - Note</p> <p>The time delay between EN1 and EN2 must be automatically determined. The duration of the delay is not evaluated.</p>

Soft-start and quick exhaust valves MS6-SV-E, MS series

Technical data

MS6-SV...-E-ASIS in the actuator-sensor interface (AS-i)

The actuator-sensor interface (AS-i) is a system for networking sensors and actuators on the lowest level of the automation hierarchy. It is a non-proprietary, open bus system and enables transfer of data and energy on just one line. This simple method permits an efficient configuration with simultaneously reliable performance. The network topology of the AS-i system can be expanded as desired without any difficulty.

An AS-i network consists of a control

unit, a so-called master and the associated sensor and actuator components, namely the slaves. The master cyclically polls all configured slaves and exchanges input and output data with them. A telegram consists of 4 bits of user data. The master communicates with the slaves via a serial transmission protocol.

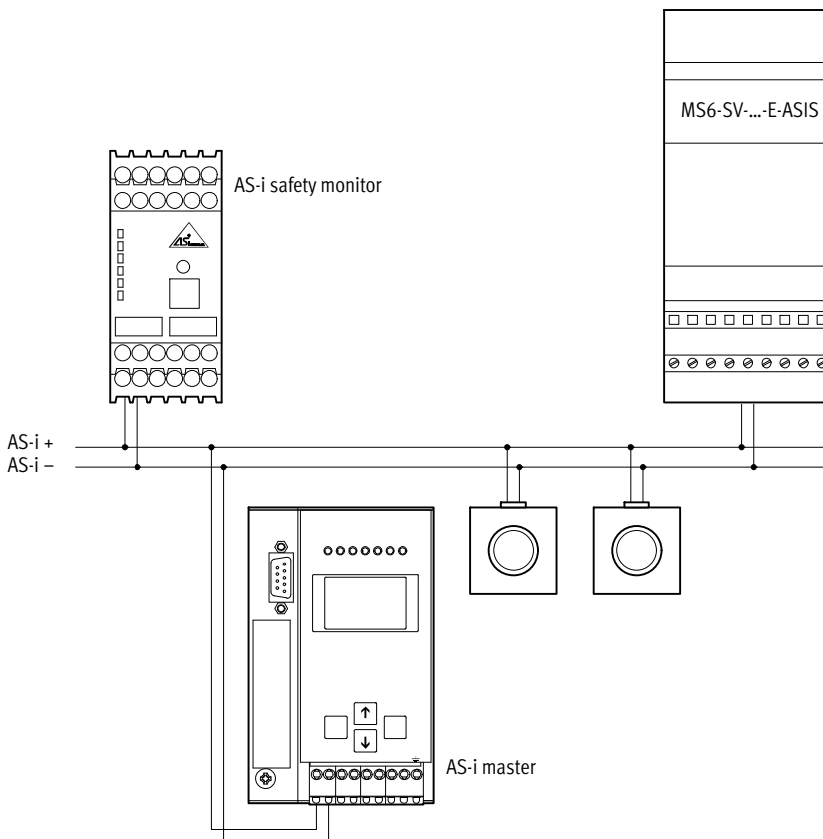
AS-i Safety at Work is a certified standard that enables safety-related components to be used in the AS-i system. The safe AS-i system is designed

for safety applications up to category 4 according to EN ISO 13849-1 PL "e". Mixed operation of standard components and safety-oriented components is possible. The AS-interface master considers the safety-oriented slaves just like all other slaves and incorporates them into the network. The transmission protocol and the cables in the AS-i system are laid out so that they are also capable of transmitting safety-oriented telegrams.

The AS-i safety monitor is the central

safe component and monitors the safety-oriented slaves assigned to it within an AS-i system. The safety function is ensured via additional signal transmission between the safety-oriented slaves and the AS-i safety monitor. This transmission takes place with a special safety protocol.

In the case of a stop request or defect, the AS-i safety monitor in protection mode reliably switches the system off with a maximum reaction time of 40 ms.



Soft-start and quick exhaust valves MS6-SV-E, MS series

FESTO

Technical data

General technical data	
Pneumatic connection 1, 2	
Female thread	G $\frac{1}{2}$
Connecting plate AG...	G $\frac{1}{4}$, G $\frac{3}{8}$, G $\frac{1}{2}$ or G $\frac{3}{4}$
Connecting plate AQ...	NPT $\frac{1}{4}$, NPT $\frac{3}{8}$, NPT $\frac{1}{2}$ or NPT $\frac{3}{4}$
Pneumatic connection 3	G1
Actuation type	Electric
Design	Piston seat
Type of mounting	Via accessories
	In-line installation
Mounting position	Any
Pressure indicator	Via pressure sensor for displaying output pressure via LCD display and electrical output
	Via pressure gauge for displaying output pressure
	Via pressure gauge with red/green scale for displaying output pressure
	G $\frac{1}{4}$ prepared
Position sensing principle	Solenoid piston principle
Valve function	3/2-way valve, closed, single solenoid
	Soft-start function, adjustable
Non-overlapping	No
Exhaust function	No flow control
Manual override	None
Reset method	Mechanical spring
Type of control	Piloted
Pilot air supply	Internal
Sealing principle	Soft

- | - Note: This product conforms to ISO 1179-1 and to ISO 228-1

Flow rate characteristics	
Pneumatic connection	Female thread G $\frac{1}{2}$
Standard nominal flow rate $q_{N^{1}}$ [l/min]	
In main flow direction 1 \rightarrow 2	4,300
Standard flow rate q_N [l/min], $p_2 = 6$ bar	
In venting direction 2 \rightarrow 3	9,000 ²⁾
C value [l/s*min]	
In main flow direction 1 \rightarrow 2	19.3
b value	
In main flow direction 1 \rightarrow 2	0.21

1) Measured at $p_1 = 6$ bar and $p_2 = 5$ bar, $\Delta p = 1$ bar

2) Measured with respect to atmosphere with silencer U05-1

Electrical data		
Type	MS6-SV-...-E-10V24	MS6-SV-...-E-ASIS
Electrical connection	Sub-D, 9-pin	2x M12
Nominal operating voltage [V DC]	24	-
Permissible voltage [%]	± 10	-
Permissible voltage fluctuations		
Operating voltage range for AS-interface [V DC]	-	22 ... 31.6
Duty cycle [%]	100	
Max. switching frequency [Hz]	1	
Switching time off [ms]	40	
Switching time on [ms]	130	
Signal status display	LED and floating contact	LED and via AS-i
Protection class	IP65 with plug socket	

Soft-start and quick exhaust valves MS6-SV-E, MS series

Technical data

AS-i Safety-specific data	
Type	MS6-SV-...-E-ASIS
Fieldbus interface	Socket M12 (AS-i Out) and plug M12 (AS-i In)
LED displays	AS-i and status
Device-specific diagnostics	Inputs for cyclical digital data (exhausted, pressurised, fault) Cyclical analogue values (supply pressure p1, output pressure p2) Acyclical values (counter, pressure monitoring, fault, switching frequency exceeded, status)
Product identification	IO code: 0x7 Profile: 7.5.5 ID code: 0x5 ID1: 0xF ID2: 0x5
Vendor ID AS-interface	0x014D
Device ID AS-interface	0x03A6
Addressing range	Standard slave: 1 ... 31

Operating and environmental conditions		
Type	MS6-SV-...-E-10V24	MS6-SV-...-E-ASIS
Operating pressure [bar]	3.5 ... 10	3.5 ... 10
Operating medium	Compressed air according to ISO 8573-1:2010 [7:4:4]	
Note on operating/pilot medium	Lubricated operation possible (in which case lubricated operation will always be required)	
Ambient temperature [°C]	-10 ... +50 (0 ... +50) ¹⁾	0 ... +50
Temperature of medium [°C]	-10 ... +50 (0 ... +50) ¹⁾	0 ... +50
Storage temperature [°C]	-10 ... +50 (0 ... +50) ¹⁾	0 ... +50
Corrosion resistance class CRC ²⁾	2	
Noise level [dB(A)]	75 (with silencer UOS-1)	
CE marking (see declaration of conformity) ⁴⁾	To EU EMC Directive ³⁾	
	To EU Machinery Directive	
Certification (variant UL1)	cULus recognized (OL)	
Certification	RCM Mark	

- 1) With pressure sensor AD...
- 2) Corrosion resistance class CRC 2 to Festo standard FN 940070
Moderate corrosion stress. Indoor applications in which condensation may occur. External visible parts with primarily decorative requirements for the surface and which are in direct contact with the ambient atmosphere typical for industrial applications.
- 3) For information about the applicability of the component see the manufacturer's EC declaration of conformity at: www.festo.com/sp → User documentation.
If the component is subject to restrictions on usage in residential, office or commercial environments or small businesses, further measures to reduce the emitted interference may be necessary.
- 4) Additional information www.festo.com/sp → Certificates.

Weight [g]	
Soft-start and quick exhaust valve	2,000
Soft-start and quick exhaust valve with silencer UOS-1	2,200

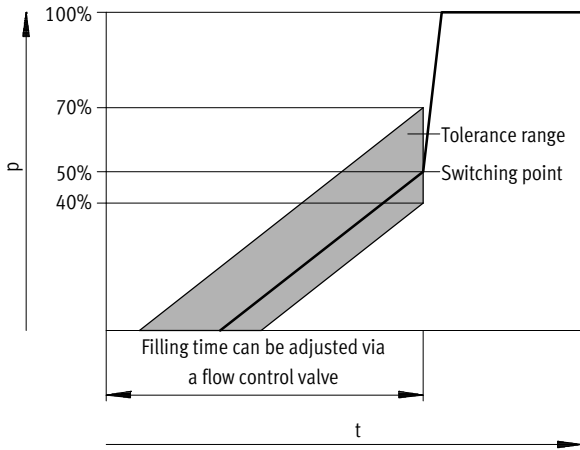
Materials	
Housing	Die-cast aluminium
Piston rod	High-alloy stainless steel
Seals	NBR
Note on materials	RoHS-compliant

Soft-start and quick exhaust valves MS6-SV-E, MS series

Technical data

Switching point

Pressure p as a function of time t



-  - Note

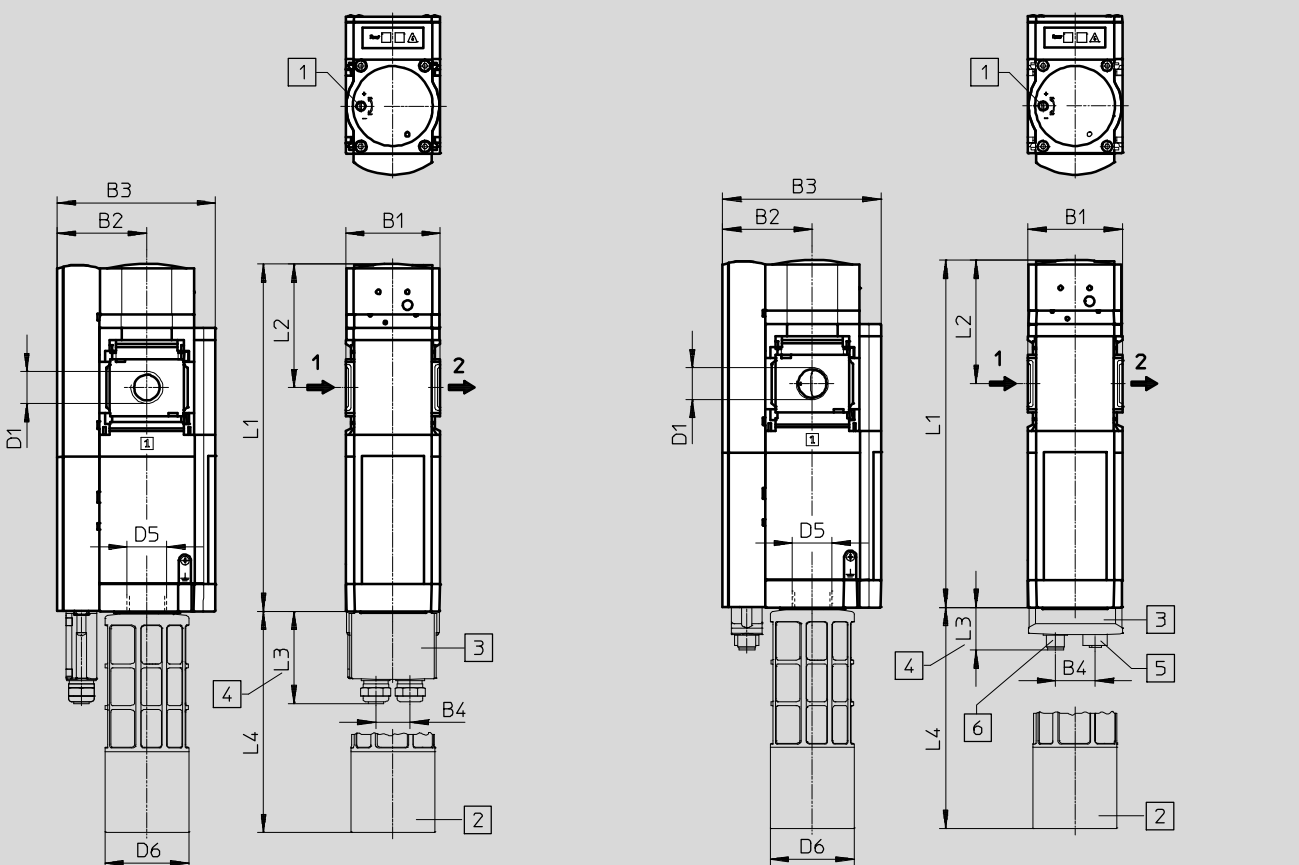
The +20%/-10% switching point tolerance refers to the operating pressure p1.
 Example: A switching point from 1.6 bar to 2.8 bar is permissible at an operating pressure of 4 bar.

Dimensions – Basic design

Download CAD data → www.festo.com

With supply voltage 10V24,
 with female thread 1/2, with cover plate

With supply voltage ASIS,
 with female thread 1/2, with cover plate



1 Regulating screw for flow control valve

3 Multi-pin plug socket NECA or AS-i configuration plug CACC

5 M12 socket, 5-pin


→ Flow direction

2 Silencer UOS-1

4 Dimension without cable

6 M12 pin, 5-pin

Type	B1	B2	B3	B4	D1	D5	D6	L1	L2	L3	L4
MS6-SV-1/2-E-10V24	62	59	104	23	G1/2	G1	55	228	81	61	145
MS6-SV-1/2-E-ASIS				26						28	

-  - Note: This product conforms to ISO 1179-1 and to ISO 228-1

Soft-start and quick exhaust valves MS6-SV-E, MS series

Technical data

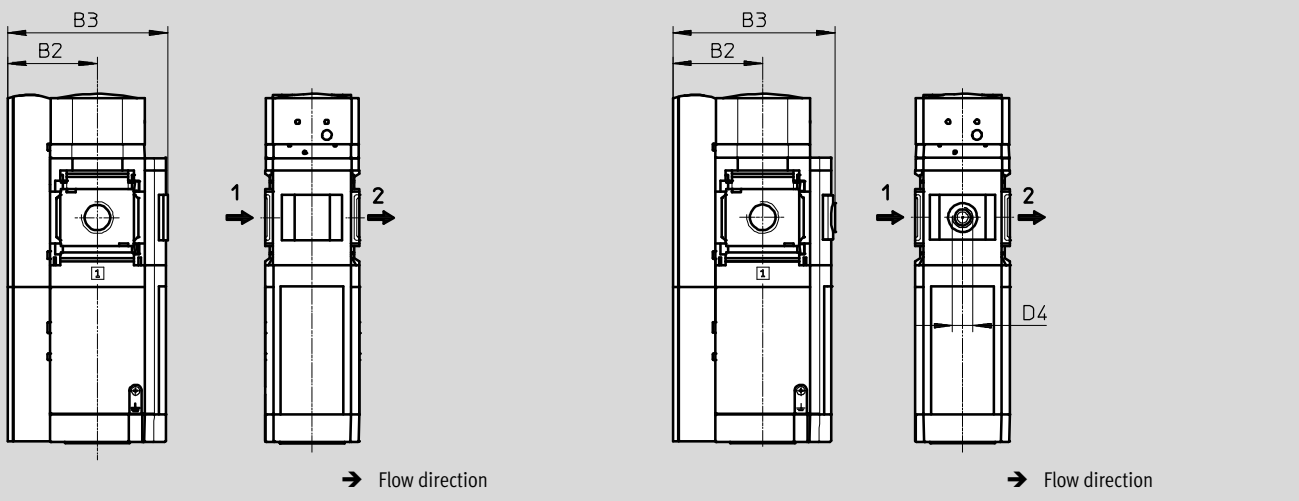
FESTO

Dimensions – Pressure gauge/pressure gauge alternatives

Download CAD data → www.festo.com

Integrated MS pressure gauge with standard scale AG or red/green scale RG, display unit [bar]

Adapter plate A4 for EN pressure gauge 1/4, without pressure gauge



Type	B2	B3	D4
MS6-SV-...-E-...-AG	59	105	–
MS6-SV-...-E-...-RG	59	106.5	–
MS6-SV-...-E-...-A4	59	106.5	G1/4

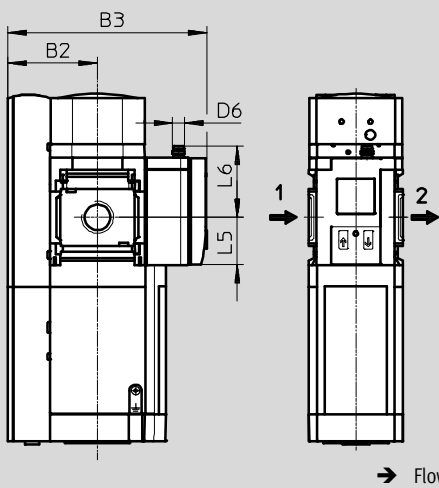
Note: This product conforms to ISO 1179-1 and to ISO 228-1

Dimensions – Pressure gauge/pressure gauge alternatives

Download CAD data → www.festo.com

Pressure sensor with LCD display AD1 ... AD4

Technical data → Internet: sde1



Variant AD1:
SDE1-D10-G2-MS-L-P1-M8 with
3-pin plug M8x1, 1 switching out-
put PNP

Variant AD3:
SDE1-D10-G2-MS-L-PI-M12 with
4-pin plug M12x1, 1 switching out-
put PNP and 4 ... 20 mA analogue

Variant AD2:
SDE1-D10-G2-MS-L-N1-M8 with
3-pin plug M8x1, 1 switching out-
put NPN

Variant AD4:
SDE1-D10-G2-MS-L-NI-M12 with
4-pin plug M12x1, 1 switching out-
put NPN and 4 ... 20 mA analogue

Type	B2	B3	D6	L5	L6
MS6-SV-...-E-...-AD1/AD2	59	131	M8x1	31.2	46.7
MS6-SV-...-E-...-AD3/AD4			M12x1		55.8

Note: This product conforms to ISO 1179-1 and to ISO 228-1

Soft-start and quick exhaust valves MS6-SV-E, MS series

FESTO

Technical data

Ordering data – Supply voltage 10V24					
Size	Connection	Without silencer		With silencer	
		Part No.	Type	Part No.	Type
MS pressure gauge, display unit [bar]					
MS6	G1/2	548715	MS6-SV-1/2-E-10V24-AG	548717	MS6-SV-1/2-E-10V24-SO-AG
Pressure sensor with LCD display, plug M8, PNP, 3-pin					
MS6	G1/2	562580	MS6-SV-1/2-E-10V24-AD1	-	

Ordering data – Supply voltage ASIS					
Size	Connection	Without silencer		With silencer	
		Part No.	Type	Part No.	Type
MS pressure gauge, display unit [bar]					
MS6	G1/2	8001480	MS6-SV-1/2-E-ASIS-AG	8001481	MS6-SV-1/2-E-ASIS-SO-AG

Soft-start and quick exhaust valves MS6-SV-E, MS series



Ordering data – Modular products

M Mandatory data →

Module No.	Series	Size	Function	Pneumatic connection	Performance level	Supply voltage
548713	MS	6	SV	1/2, AG..., AQ...	E	10V24, ASIS
Ordering example						
548713	MS	6	- SV	- AGB	- E	- 10V24

Ordering table

Grid dimension	[mm]	62	Condi- tions	Code	Enter code
M Module No.		548713			
Series	Standard			MS	MS
Size	6			6	6
Function	Soft-start and quick exhaust valve			-SV	-SV
Pneumatic connection	Female thread G1/2			-1/2	
	Connecting plate G1/4			-AGB	
	Connecting plate G3/8			-AGC	
	Connecting plate G1/2			-AGD	
	Connecting plate G3/4			-AGE	
	Connecting plate NPT1/4			-AQN	
	Connecting plate NPT3/8			-AQP	
	Connecting plate NPT1/2			-AQR	
	Connecting plate NPT3/4			-AQS	
Performance level	Category 4, 2-channel with self-monitoring, to EN ISO 13849-1			-E	-E
Supply voltage	24 V DC (pin allocation to EN 175301)			-10V24	
	22 ... 31.6 V DC, AS-i Safety at Work, SPEC3.0 Profile 7.5.5			-ASIS	

Transfer order code

548713	MS	6	- SV	-	E	-
---------------	-----------	----------	-------------	----------	----------	----------

Soft-start and quick exhaust valves MS6-SV-E, MS series

Ordering data – Modular products

Options						
Silencer	Pressure gauge/ pressure gauge alternatives	Alternative pres- sure gauge scale	Multi-pin plug socket	Type of mounting	UL certification	Flow direction
SO	AG, A4, RG, AD1 ... AD4	PSI, MPA	MP1, MP3, MP5	WPB	UL1	Z
- SO	- AG	-	- MP1	- WPB	-	-

Ordering table						
Grid dimension	[mm]	62	Condi- tions	Code	Enter code	
0 Silencer		Open silencer		-SO		
Pressure gauge/pressure gauge alternatives		MS pressure gauge	1	-AG		
		Adapter plate for EN pressure gauge 1/4, without pressure gauge	2	-A4		
		Integrated pressure gauge, red/green scale	1	-RG		
		Pressure sensor with LCD display, plug M8, 1 switching output PNP, 3-pin	2	-AD1		
		Pressure sensor with LCD display, plug M8, 1 switching output NPN, 3-pin	2	-AD2		
		Pressure sensor with LCD display, plug M12, 1 switching output PNP, 4-pin, analogue output 4 ... 20 mA	2	-AD3		
		Pressure sensor with LCD display, plug M12, 1 switching output NPN, 4-pin, ana- logue output 4 ... 20 mA	2	-AD4		
Alternative pressure gauge scale		psi	3	-PSI		
		MPa	3	-MPA		
Multi-pin plug socket		Sub-D, 9-pin, screw terminal, without cable, static enable signals (EN1 = 24 V, EN2 = 24 V)	2	-MP1		
		Sub-D, 9-pin, screw terminal, without cable, static enable signals (EN1 = 0 V, EN2 = 24 V), short-circuit detection possible	2	-MP3		
		Sub-D, 9-pin, screw terminal, without cable, static enable signals (EN1 = 0 V, EN2 = 24 V), galvanic isolation of the enable signals from the supply voltage	2	-MP5		
Type of mounting		Mounting bracket for large wall gap		-WPB		
UL certification		cULus, ordinary location for Canada and USA		-UL1		
Flow direction		Flow direction from right to left		-Z		

- 1 AG, RG Pressure gauge scale in bar
- 2 A4, AD1, AD2, AD3, AD4, MP1, MP3, MP5
Not with supply voltage ASIS.

- 3 PSI, MPA Only in combination with pressure gauge AG or RG.
With pressure gauge RG: PSI scale serves only as an auxiliary scale (inner scale), outer
scale in bar

Transfer order code

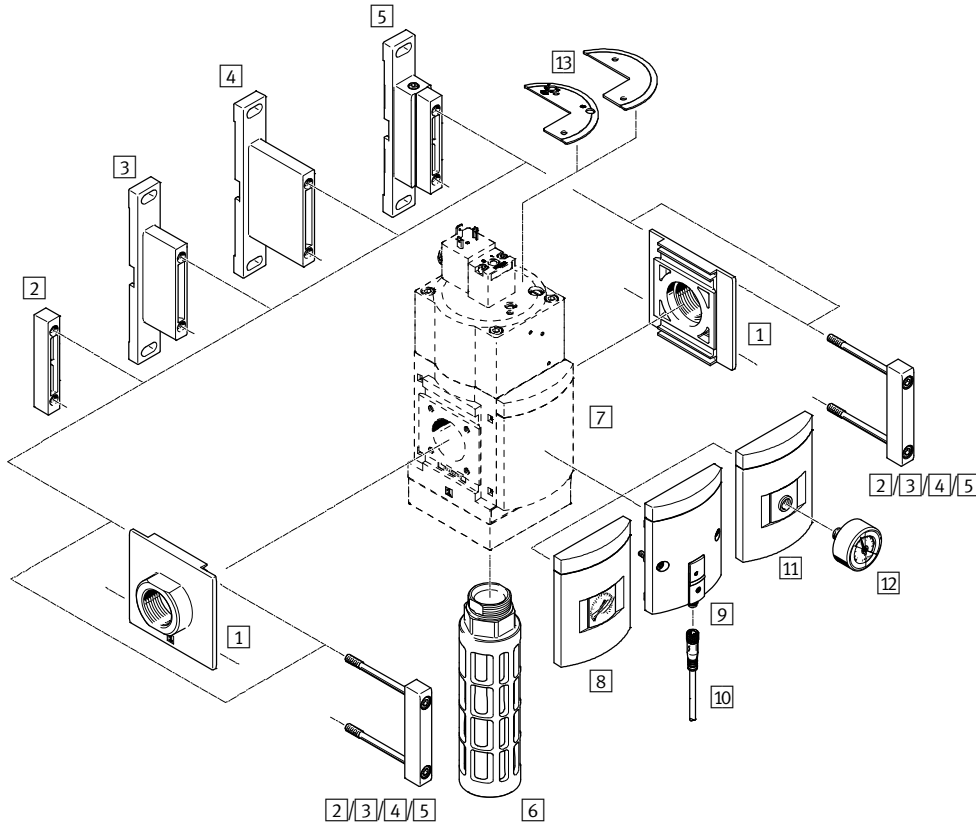
- [] - [] - [] - [] - [] - [] - []


Soft-start and quick exhaust valves MS9-SV-C, MS series

Peripherals overview



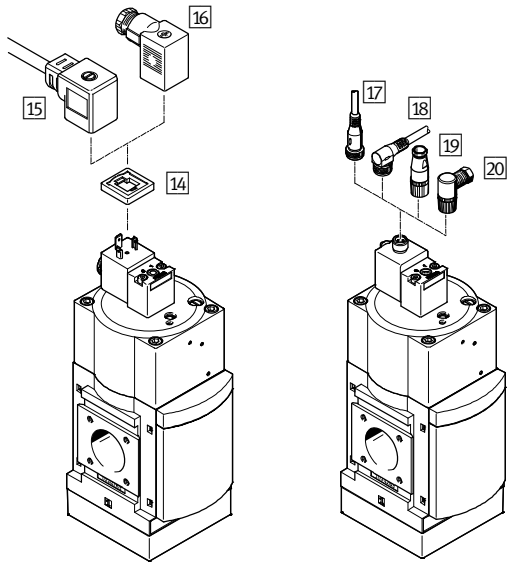
Soft-start and quick exhaust valve MS9-SV-C



-  - Note
 Additional accessories:
 - Module connector for combination with size MS6, MS9 or MS12
 → Internet: rmv, armv

Supply voltage
V24/V110/V230

Supply voltage
10V24P



Soft-start and quick exhaust valves MS9-SV-C, MS series

FESTO

Peripherals overview

Mounting attachments and accessories					
		Individual device		Combination	→ Page/ Internet
		With female thread 3/4/1/N3/4/N1	With connecting plate AG.../AQ...	Module without connecting thread, without connecting plate G/NG	
1	Connecting plate-SET MS9-AG...	-	■	■	ms9-ag
	Connecting plate-SET MS9-AQ...	-	■	■	ms9-aq
2	Module connector MS9-MV	-	-	■	ms9-mv
3	Mounting bracket MS9-WP	■	■	■	ms9-wp
4	Mounting bracket MS9-WPB	■	■	■	ms9-wp
5	Mounting bracket MS9-WPM	■	■	■	ms9-wp
6	Silencer U-1-B	■	■	■	60
7	Cover plate VS	■	■	■	54
8	MS pressure gauge AG/RG	■	■	■	54
9	Pressure sensor with operational status indicator AD7 ... AD10	■	■	■	54
10	Connecting cable NEBU-M8...-LE3	■	■	■	61
11	Adapter plate for EN pressure gauge 1/4 A4	■	■	■	54
12	Pressure gauge MA	■	■	■	61
13	Cover MS9-SV-MH/MK	■	■	■	59
14	Illuminating seal MC-LD	■	■	■	61
15	Connecting cable KMC	■	■	■	60
16	Plug socket MSSD-C	■	■	■	60
17	Connecting cable NEBU-M12G5	■	■	■	61
18	Connecting cable NEBU-M12W5	■	■	■	61
19	Sensor socket SIE-GD	■	■	■	61
20	Angled socket SIE-WD	■	■	■	61

Soft-start and quick exhaust valves MS9-SV-C, MS series

Type codes

		MS	9	-	SV	-	G	-	C	-	V24	-	S	-	VS
Series															
MS	Standard service unit														
Size															
9	Grid dimension 90 mm														
Service function															
SV	Soft-start and quick exhaust valve														
Pneumatic connection															
G	Module without connecting thread, without connecting plate														
Performance level															
C	Category 1, to EN ISO 13849-1														
Supply voltage															
V24	Supply voltage 24 V DC														
Silencer															
S	Silencer														
Pressure gauge/pressure gauge alternatives															
VS	Cover plate														

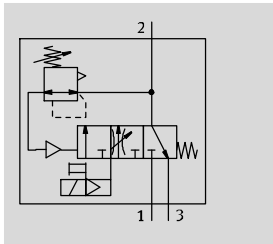
Additional variants can be ordered using the modular product system → 54

- Pneumatic connection
- Supply voltage
- Pressure gauge/pressure gauge alternatives
- Alternative pressure gauge scale
- Type of mounting
- Tamper protection
- UL certification
- Flow direction

Soft-start and quick exhaust valves MS9-SV-C, MS series

Technical data

Function



- Flow rate
8,300 ... 16,550 l/min
- Temperature range
0 ... +60 °C
- Operating pressure
3.5 ... 16 bar
- www.festo.com



Electro-pneumatic soft-start and quick exhaust valve for gradual pressurisation and quick exhausting of system components (single channel).

The main flow control valve in the end cap permits a gradual build-up of output pressure p2. Once the output pressure p2 has reached the set pressure switchover point (switching pressure), the valve opens and the full operating pressure p1 is present at the output.

- Suitable for applications with high flow rates and restricted space with medium safety requirements up to controller category 1, performance level "c"
- High volumetric flow rate for pressurisation and venting
- The filling flow rate can be set via a flow control valve for gradual pressure build-up
- Adjustable pressure switchover point
- Optional pressure sensor
- Optional cover for the control sections as tamper protection

Safety characteristics	
Conforms to standard	EN ISO 13849-1
Safety function	Venting
Performance level (PL)	Venting: up to category 1, PL c
Shock resistance	Shock test with severity level 1 according to FN 942017-5 and EN 60068-2-27
Vibration resistance	Transport application test with severity level 1 to FN 942017-4 and EN 60068-2-6

General technical data	
Pneumatic connection 1, 2	
Female thread	G3/4, G1, NPT3/4 or NPT1
Connecting plate AG...	G1/2, G3/4, G1, G1 1/4 or G1 1/2
Connecting plate AQ...	NPT1/2, NPT3/4, NPT1, NPT1 1/4 or NPT1 1/2
Module without connecting thread/plate G/NG	-
Pneumatic connection 3	G1 (NPT1) ¹⁾
Actuation type	Electric
Design	Piston spool valve
Type of mounting	Via accessories In-line installation
Mounting position	Any
Pressure indicator	Via pressure sensor for displaying output pressure via operational status indicator and electrical output Via pressure gauge for displaying output pressure Via pressure gauge with red/green scale for displaying output pressure G1/4 prepared
Valve function	3/2-way valve, closed, single solenoid Soft-start function, adjustable
Exhaust function	No flow control
Reset method	Mechanical spring
Type of control	Piloted
Sealing principle	Soft

1) Only with N3/4/N1/AQ.../NG without silencer S

- Note: This product conforms to ISO 1179-1 and to ISO 228-1

Soft-start and quick exhaust valves MS9-SV-C, MS series

FESTO

Technical data

Electrical data		
Coil characteristics	V24	24 V DC: 8.4 W; permissible voltage fluctuations $\pm 10\%$
	10V24P	24 V DC: 2.7 W; permissible voltage fluctuations $\pm 10\%$
	V110	110 V AC: 50/60 Hz; pick-up power 14.5 VA; holding power 10.5 VA; permissible voltage fluctuations $\pm 10\%$
	V230	230 V AC: 50/60 Hz; pick-up power 14.5 VA; holding power 10.5 VA; permissible voltage fluctuations $\pm 10\%$
Electrical connection	V24, V110, V230	Plug, square design to EN 175301-803, type A
	10V24P	M12x1, 4-pin, to IEC 61076-2-101, to DESINA
Protection class	IP65 with plug socket	
Duty cycle	[%]	100

Flow rate characteristics							
Pneumatic connection	Female thread		Connecting plate				
	$\frac{3}{4}/N\frac{3}{4}$	1/N1	AGD/AQR	AGE/AQS	AGF/AQT	AGG/AQU	AGH/AQV
Standard nominal flow rate $q_{nN}^{1)}$ [l/min]							
In main flow direction 1 \rightarrow 2	14,150	16,460	8,300	13,250	16,340	16,550	15,910
Standard flow rate q_n [l/min]							
For exhaust 6 \rightarrow 0 bar with silencer S	21,450	20,870	21,720	20,900	20,370	19,730	19,850
C value [l/s*min]							
In main flow direction 1 \rightarrow 2	57.61	69.59	31.43	54.24	68.24	68.45	66.07
In venting direction 2 \rightarrow 3	55.52	54.01	56.22	54.07	52.73	51.06	51.36
b value							
In main flow direction 1 \rightarrow 2	0.37	0.32	0.47	0.37	0.34	0.35	0.35
In venting direction 2 \rightarrow 3	0.49	0.46	0.60	0.49	0.47	0.45	0.44

1) Measured at $p_1 = 6$ bar and $p_2 = 5$ bar, $\Delta p = 1$ bar

Operating and environmental conditions			
Variant	Coil characteristic V24	Coil characteristic 10V24P	Coil characteristic V110, V230
Operating pressure [bar]	3.5 ... 16 (3.5 ... 10) ²⁾	3.5 ... 10	3.5 ... 16 (3.5 ... 10) ²⁾
Operating medium	Compressed air according to ISO 8573-1:2010 [7:4:4]		
Note on operating/pilot medium	Operation with lubricated medium possible (in which case lubricated operation will always be required)		
Ambient temperature [°C]	0 ... +60 (0 ... +50) ²⁾		
Temperature of medium [°C]	0 ... +60 (0 ... +50) ²⁾		
Storage temperature [°C]	0 ... +60 (0 ... +50) ²⁾		
Corrosion resistance class CRC ¹⁾	2		
Noise level ³⁾ [dB(A)]	93 (with silencer S)		
CE marking (see declaration of conformity)	-		To EU Low Voltage Directive
Certification (variant UL1)	cULus recognized (OL)		

- Corrosion resistance class CRC 2 to Festo standard FN 940070
Moderate corrosion stress. Indoor applications in which condensation may occur. External visible parts with primarily decorative requirements for the surface and which are in direct contact with the ambient atmosphere typical for industrial applications.
- With pressure sensor AD...
- Venting at 10 bar at a distance of 1 m

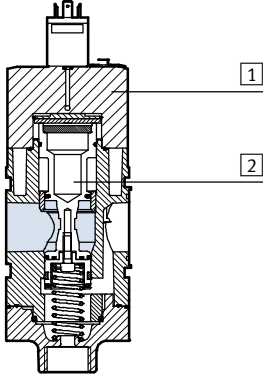
Weight [g]	
Soft-start/quick exhaust valve	2,970
Soft-start/quick exhaust valve with silencer S	3,200

Soft-start and quick exhaust valves MS9-SV-C, MS series

Technical data

Materials

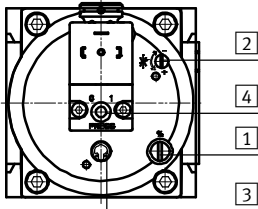
Sectional view



Soft-start and quick exhaust valve

1	Housing	Die-cast aluminium
2	Piston spool	Brass
-	Seals	NBR
Note on materials		RoHS-compliant

Adjusting elements



- 1 Screw for adjusting the pressure switchover point
- 2 Flow control screw for adjusting the filling time
- 3 Manual override at the soft-start and quick exhaust valve:
 - Detenting/self-resetting as soon as the solenoid coil or manual override at the pilot solenoid valve is actuated.
- 4 Manual override at the pilot solenoid valve:
 - Non-detenting, actuation from above

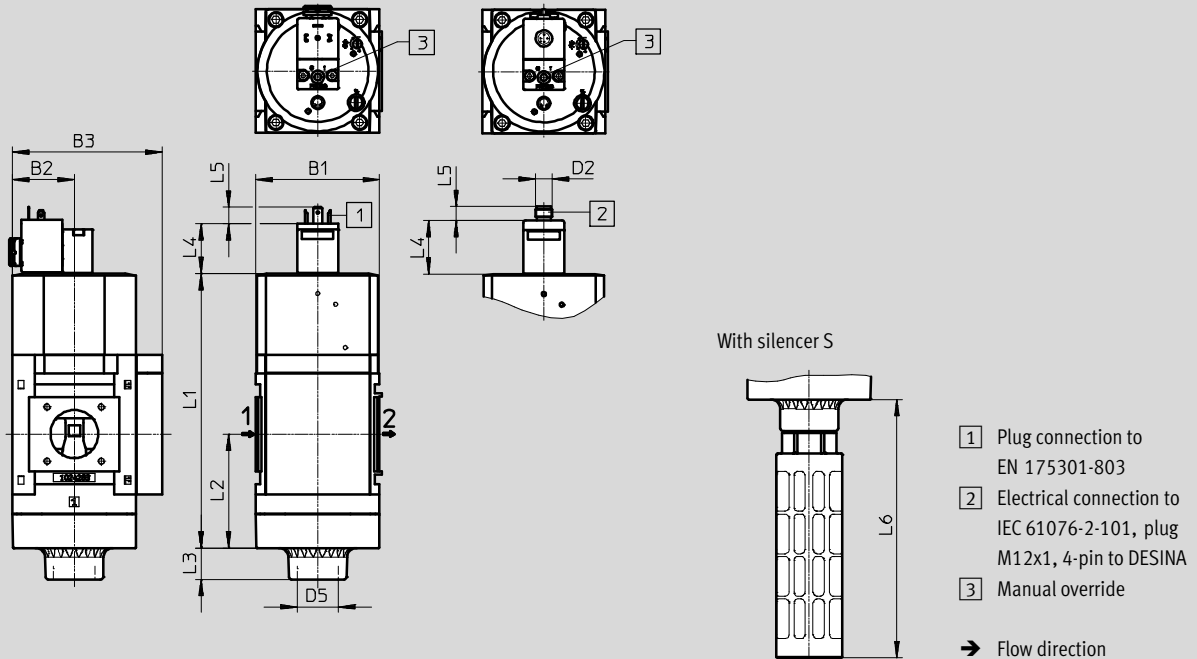
Dimensions – Basic design

Download CAD data → www.festo.com

Module without connecting thread, without connecting plate G/NG, with cover plate VS

Supply voltage V24/V110/V230

Supply voltage 10V24P



Type	B1	B2	B3	D2	D5	L1	L2	L3	L4	L5	L6
MS9-SV-G/NG-...-V24/V110/V230	90	45	109	-	G1	200	83	23	36.4	12	189
MS9-SV-G/NG-...-10V24P				M12x1	(NPT1) ¹⁾				39.2	10	

1) Only with N3/4/N1/AQ.../NG without silencer S

Soft-start and quick exhaust valves MS9-SV-C, MS series

Technical data

Dimensions – Connecting thread/connecting plate Download CAD data → www.festo.com

With female thread 3/4/1/N3/4/N1 With connecting plate AG.../AQ...

1 Mounting screw M6x11.90 to DIN 912 (not included in the scope of delivery) for wall mounting without mounting bracket

→ Flow direction

Type	B4	B5	B6	B7	B8	D1	D6	D7	L6	T1	≅
MS9-SV-3/4	90	104	91.5	-	-	G3/4	11	6.5	66	6	-
MS9-SV-1						G1					
MS9-SV-AGD	-	-	-	112	132	G1/2	-	-	-	-	30
MS9-SV-AGE					132	G3/4					36
MS9-SV-AGF					142	G1					41
MS9-SV-AGG					162	G1 1/4					50
MS9-SV-AGH					176	G1 1/2					55
MS9-SV-N3/4	90	104	91.5	-	-	NPT3/4-14	11	6.5	66	6	-
MS9-SV-N1						NPT1-11 1/2					
MS9-SV-AQR	-	-	-	112	132	NPT1/2-14	-	-	-	-	30
MS9-SV-AQS					132	NPT3/4-14					36
MS9-SV-AQT					142	NPT1-11 1/2					41
MS9-SV-AQU					162	NPT1 1/4-11 1/2					50
MS9-SV-AQV					176	NPT1 1/2-11 1/2					55

Note: This product conforms to ISO 1179-1 and to ISO 228-1

Soft-start and quick exhaust valves MS9-SV-C, MS series

Technical data

Dimensions – Pressure gauge/pressure gauge alternatives Download CAD data → www.festo.com

Integrated MS pressure gauge with standard scale AG or red/green scale RG Adapter plate A4 for EN pressure gauge 1/4, without pressure gauge

→ Flow direction

Type	B2	B3	B9	D3
MS9-SV-...-AG/RG	45	109	–	–
MS9-SV-...-A4		–	110	G1/4

– | – Note: This product conforms to ISO 1179-1 and to ISO 228-1

Dimensions – Pressure gauge/pressure gauge alternatives Download CAD data → www.festo.com

Pressure sensor with operational status indicator AD7 ... AD10 Technical data → Internet: [sde5](http://sde5.festo.com)

→ Flow direction

Variant AD7:
SDE5-D10-O-...-P-M8 with 3-pin plug M8x1, threshold value comparator, 1 switching output PNP, N/O contact

Variant AD8:
SDE5-D10-C-...-P-M8 with 3-pin plug M8x1, threshold value comparator, 1 switching output PNP, N/C contact

Variant AD9:
SDE5-D10-O3-...-P-M8 with 3-pin plug M8x1, window comparator, 1 switching output PNP, N/O contact

Variant AD10:
SDE5-D10-C3-...-P-M8 with 3-pin plug M8x1, window comparator, 1 switching output PNP, N/C contact

Type	B2	B11	D3
MS9-SV-...-AD7/AD8/AD9/AD10	45	112	M8

Ordering data			
Size	Connection	With silencer	
		Part No.	Type
Cover plate			
MS9	–	570737	MS9-SV-G-C-V24-S-VS

Soft-start and quick exhaust valves MS9-SV-C, MS series

Ordering data – Modular products

M Mandatory data →						
Module No.	Series	Size	Function	Pneumatic connection	Performance level	Supply voltage
562176	MS	9	SV	¾, 1, AG..., N¾, N1, AQ..., G, NG	C	V24, 10V24P, V110, V230
Ordering example						
562176	MS	9	- SV	- 1	- C	- V24

Ordering table					
Grid dimension	[mm]	90	Condi- tions	Code	Enter code
M	Module No.	562176			
	Series	Standard		MS	MS
	Size	9		9	9
	Function	Soft-start and quick exhaust valve		-SV	-SV
	Pneumatic connection	Female thread G¾		-¾	
		Female thread G1		-1	
		Connecting plate G½		-AGD	
		Connecting plate G¾		-AGE	
		Connecting plate G1		-AGF	
		Connecting plate G1¼		-AGG	
		Connecting plate G1½		-AGH	
		Female thread NPT¾		-N¾	
		Female thread NPT1		-N1	
		Connecting plate NPT½		-AQR	
		Connecting plate NPT¾		-AQS	
		Connecting plate NPT1		-AQT	
		Connecting plate NPT1¼		-AQU	
		Connecting plate NPT1½		-AQV	
		Module without connecting thread, without connecting plate		-G	
		Module without connecting thread, without connecting plate		-NG	
	Performance level	Category 1, 1-channel, to EN ISO 13849-1		-C	-C
	Supply voltage	24 V DC (pin allocation to EN 175301), 16 bar		-V24	
		24 V DC, M12 to IEC 61076-2-101, 10 bar		-10V24P	
		110 V AC (pin allocation to EN 175301), 16 bar		-V110	
		230 V AC (pin allocation to EN 175301), 16 bar		-V230	

Transfer order code

562176	MS	9	- SV	-		- C	-	
--------	----	---	------	---	--	-----	---	--

Soft-start and quick exhaust valves MS9-SV-C, MS series

Ordering data – Modular products

→ [0]	[M]	[0] Options →				
Silencer	Pressure gauge/ pressure gauge alternatives	Alternative pressure gauge scale	Type of mounting	Tamper protection	UL certification	Flow direction
S	AG, VS, A4, RG, AD7 ... AD10	PSI, MPA, BAR	WP, WPM, WPB	MH, MK	UL1	Z
- S	- AG	-	-	-	-	-

Ordering table		Grid dimension [mm]	90	Condi- tions	Code	Enter code
[0]	Silencer	Silencer			-S	
[M]	Pressure gauge/pressure gauge alternatives	MS pressure gauge			-AG	
		Cover plate			-VS	
		Adapter plate for EN pressure gauge 1/4, without pressure gauge			-A4	
		Integrated pressure gauge, red/green scale		[1]	-RG	
		Pressure sensor with operational status indicator, plug M8, threshold value comparator, PNP, N/O contact		[2]	-AD7	
		Pressure sensor with operational status indicator, plug M8, threshold value comparator, PNP, N/C contact		[2]	-AD8	
		Pressure sensor with operational status indicator, plug M8, window comparator, PNP, N/O contact		[2]	-AD9	
		Pressure sensor with operational status indicator, plug M8, window comparator, PNP, N/C contact		[2]	-AD10	
[0]	Alternative pressure gauge scale	psi		[3]	-PSI	
		MPa		[3]	-MPA	
		bar		[3]	-BAR	
	Type of mounting	Mounting bracket standard design		[4]	-WP	
		Mounting bracket for attaching the service units		[4]	-WPM	
		Mounting bracket for large wall gap		[4]	-WPB	
	Tamper protection	Without manual override (manual override at soft-start/quick exhaust valve locked, adjusting screws open, manual override at pilot solenoid valve locked)			-MH	
		Complete (manual override at soft-start/quick exhaust valve locked, adjusting screws locked, manual override at pilot solenoid valve locked)			-MK	
	UL certification	cULus, ordinary location for Canada and USA		[5]	-UL1	
	Flow direction	Flow direction from right to left			-Z	

- | | | | |
|--------------------------------|---|--------------------------|---|
| [1] RG | Not with alternative pressure gauge scale PSI,
PSI scale serves only as an auxiliary scale (inner scale), outer scale in bar | [3] PSI, MPA, BAR | Only in combination with pressure gauge AG or RG. |
| [2] AD7, AD8, AD9, AD10 | Measuring range max. 10 bar | [4] WP, WPM, WPB | Not with pneumatic connection G, NG |
| | | [5] UL1 | Not with supply voltage V110, V230 |

Transfer order code

- S [] - [] - [] - [] - [] - [] - []

Soft-start and quick exhaust valves MS-SV, MS series

FESTO

Accessories

Multi-pin plug socket NECA

(order code in the modular product system: MP1/MP3/MP5)

- For soft-start and quick exhaust valve MS6-SV-E-10V24



Technical data		
Type of mounting		Via through-hole
Electrical connection 1		Sub-D 9-pin
Electrical connection 2		Screw terminal 9-pin
Operating voltage range	[V DC]	21.6 ... 26.4
Nominal operating voltage	[V DC]	24
Acceptable current load	[A]	1.0
Connection cross section	[mm ²]	0.34 ... 1.0 without wire end sleeves
	[mm ²]	0.34 ... 0.5 with wire end sleeves
Permissible cable diameter	[mm]	5.0 ... 10.0
Protection class to IEC 60529		IP65

Operating and environmental conditions		
Relative air humidity		95%, non-condensing
Ambient temperature	[°C]	0 ... +50
Storage temperature	[°C]	-20 ... +70
Corrosion resistance class CRC ¹⁾		2

1) Corrosion resistance class CRC 2 to Festo standard FN 940070

Moderate corrosion stress. Indoor applications in which condensation may occur. External visible parts with primarily decorative requirements for the surface and which are in direct contact with the ambient atmosphere typical for industrial applications.

Materials	
Housing	PA reinforced
Screws	Steel
Union nut	Brass
Seals	NBR

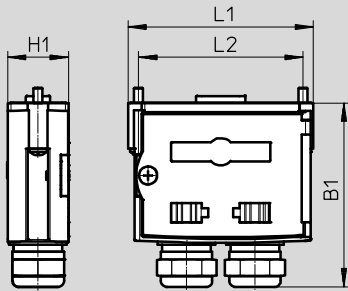
Soft-start and quick exhaust valves MS-SV, MS series

Accessories

FESTO

Dimensions

Download CAD data → www.festo.com



B1	H1	L1	L2
61	20	61	54.1

Ordering data

Description	Connection	Weight [g]	Part No.	Type
For MS6-SV-E-10V24	Without cable, static enable signals (EN1 = 24 V, EN2 = 24 V)	60	548719	NECA-S1G9-P9-MP1
	Without cable, static enable signals (EN1 = 0 V, EN2 = 24 V), cross-circuit detection possible	60	552703	NECA-S1G9-P9-MP3
	Without cable, static enable signals (EN1 = 0 V, EN2 = 24 V), galvanic isolation of the enable signals from the supply voltage	60	573695	NECA-S1G9-P9-MP5

Soft-start and quick exhaust valves MS-SV, MS series

Accessories

Silencer UOS-1

(order code in the modular product system: S0)

- For soft-start and quick exhaust valve MS6-SV-D/E

Silencer UOS-1-LF

- For soft-start and quick exhaust valve MS6-SV-D/E

Note

The space-saving silencer UOS-1-LF may only be used for applications with low exhaust rates. Pneumatic port 2 at the soft-start and quick exhaust valve MS6-SV-D/E must be reduced to G $\frac{1}{4}$ using a connecting plate MS6-AGB.



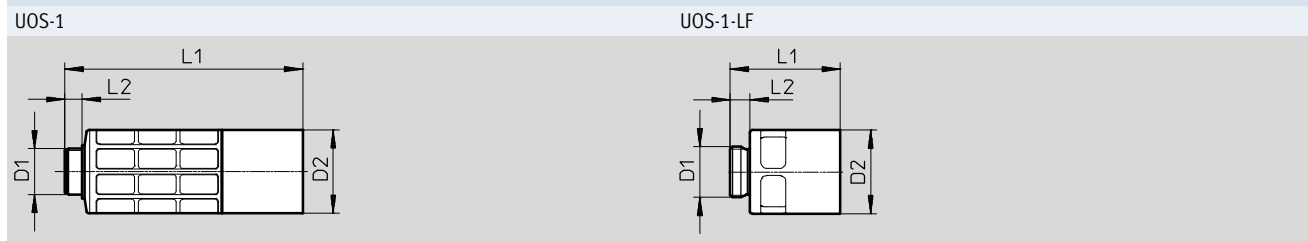
Technical data	
Pneumatic connection	G1
Design	Open silencer
Type of mounting	Via male thread
Mounting position	Any
Type of seal on threaded collar	No seal

Operating and environmental conditions	
Operating pressure [bar]	0 ... 10
Operating medium	Compressed air to ISO 8573-1:2010 [-:-:-]
Ambient temperature [°C]	-10 ... +50
Corrosion resistance class CRC ¹⁾	2

1) Corrosion resistance class CRC 2 to Festo standard FN 940070
Moderate corrosion stress. Indoor applications in which condensation may occur. External visible parts with primarily decorative requirements for the surface and which are in direct contact with the ambient atmosphere typical for industrial applications.

Materials		
Type	UOS-1	UOS-1-LF
Housing	POM	Wrought aluminium alloy
Sleeve	Wrought aluminium alloy	-
Silencer insert	PE	
Note on materials	RoHS-compliant	
	Free of copper and PTFE	

Dimensions Download CAD data → www.festo.com



Type	D1	D2	L1	L2
UOS-1	G1	∅	156.5	11.5
UOS-1-LF	G1	55	72.2	13

Ordering data				
Description		Weight [g]	Part No.	Type
For MS6-SV-D/E	For high exhaust rate	200	552252	UOS-1
	For low exhaust rate	157.9	1901207	UOS-1-LF

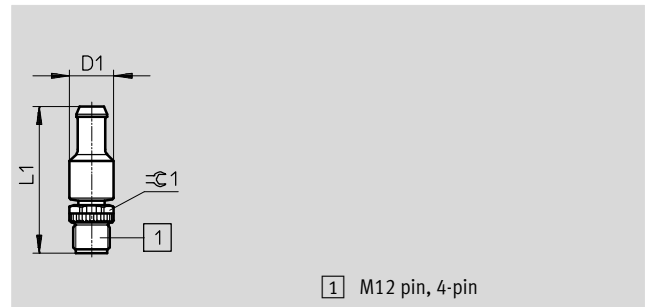
Soft-start and quick exhaust valves MS-SV, MS series

Accessories

AS-i configuration plug CACC

- For soft-start and quick exhaust valve MS6-SV-E-ASIS

Note on materials: RoHS-compliant



1 M12 pin, 4-pin

Dimensions and ordering data					
Description	D1	L1	$\approx \varnothing 1$	Part No.	Type
For MS6-SV-E-ASIS	14.5	48.3	13	573923	CACC-CP-AS

Cover MS-SV-MH/MK

(order code in the modular product system: MH/MK)

- For soft-start and quick exhaust valve MS6/9-SV-C

Note on materials: RoHS-compliant



MS6-SV-C-MK



MS9-SV-MK



MS9-SV-MH

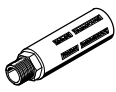
Ordering data					
Description		CRC ¹⁾	Part No.	Type	
For MS6-SV-C	Tamper protection for manual override at the soft-start and quick exhaust valve, flow control screw, adjusting screw for pressure switchover point and manual override at the pilot solenoid valve (MS6-SV-...-C-10V24/10V24P only)	2	8001479	MS6-SV-C-MK	
For MS9-SV-C	Tamper protection for manual override at the soft-start and quick exhaust valve, flow control screw, adjusting screw for pressure switchover point and manual override at the pilot solenoid valve	2	1457669	MS9-SV-MK	
	Tamper protection for manual override at the soft-start and quick exhaust valve and manual override at the pilot solenoid valve	2	1457670	MS9-SV-MH	

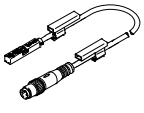
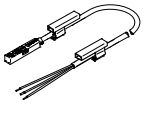
1) Corrosion resistance class CRC 2 to Festo standard FN 940070
Moderate corrosion stress. Indoor applications in which condensation may occur. External visible parts with primarily decorative requirements for the surface and which are in direct contact with the ambient atmosphere typical for industrial applications.

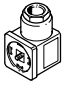
Soft-start and quick exhaust valves MS-SV, MS series

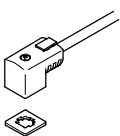
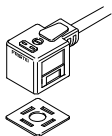
FESTO

Accessories

Ordering data – Silencer U-...-B				Technical data → Internet: u	
	Description	Pneumatic connection	Order code in the modular product system	Part No.	Type
	For MS6-SV-C	G3/4	S	6845	U-3/4-B
	For MS9-SV-C	G1	S	151990	U-1-B

Ordering data – Proximity sensor SMT						Technical data → Internet: smt		
	Description	Switching output	Switching element function	Electrical connection	Cable length [m]	Order code in the modular product system	Part No.	Type
	For MS6-SV-D	PNP	N/O contact	Cable with plug M8x1, 3-pin	0.3	2M8/S3	★ 574334	SMT-8M-A-PS-24V-E-0,3-M8D
				Cable with plug M12x1, 3-pin	0.3	2M12/S3	★ 574337	SMT-8M-A-PS-24V-E-0,3-M12
	For MS6-SV-D	PNP	N/O contact	Cable, 3-wire	5	20E/S3	★ 574336	SMT-8M-A-PS-24V-E-5,0-OE

Ordering data – Plug socket MSSD				Technical data → Internet: mssd	
	Description	Electrical connection	Type of mounting for cable connection	Part No.	Type
	For MS6-SV-C/D	3-pin	Clamping screws	★ 151687	MSSD-EB
		4-pin	Insulation displacement connectors	192745	MSSD-EB-S-M14
	For MS9-SV-C	3-pin	Clamping screws	539712	MSSD-EB-M12
		3-pin	Clamping screws	34583	MSSD-C
		4-pin	Insulation displacement connectors	192748	MSSD-C-S-M16
		4-pin	Insulation displacement connectors	192748	MSSD-C-S-M16

Ordering data – Plug socket with cable KMEB/connecting cable KMC						Technical data → Internet: kmeb, kmc	
	Description	Operating voltage	Electrical connection	Switching status display	Cable length [m]	Part No.	Type
	For MS6-SV-C/D	24 V DC	2-pin	LED	2.5	547268	KMEB-3-24-2,5-LED
				–	5	547269	KMEB-3-24-5-LED
				–	2.5	547270	KMEB-3-24-2,5
			3-pin	5	547271	KMEB-3-24-5	
				LED	2.5	★ 151688	KMEB-1-24-2,5-LED
				5	151689	KMEB-1-24-5-LED	
		230 V AC	3-pin	–	10	193457	KMEB-1-24-10-LED
				–	2.5	151690	KMEB-1-230AC-2,5
			3-pin	–	5	151691	KMEB-1-230AC-5
				–	5	151691	KMEB-1-230AC-5
	For MS9-SV-C	24 V DC	3-pin	LED	2.5	30931	KMC-1-24DC-2,5-LED
					5	30933	KMC-1-24DC-5-LED
					10	193459	KMC-1-24-10-LED
		230 V AC	3-pin	–	2.5	30932	KMC-1-230AC-2,5
					5	30934	KMC-1-230AC-5
					5	30934	KMC-1-230AC-5


Festo core product range

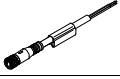

- ★ Ready for dispatch from the Festo factory in 24 hours
- ☆ Ready for dispatch in 5 days maximum from stock

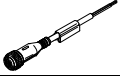

Soft-start and quick exhaust valves MS-SV, MS series

FESTO


Accessories


Ordering data – Illuminating seal MEB-LD/MC-LD				Technical data → Internet: meb, mc	
	Description	Operating voltage range	Part No.	Type	
	For plug socket with cable KMEB and plug socket MSSD-EB	12 ... 24 V DC	151717	MEB-LD-12-24DC	
		230 V DC/AC ±10%	151718	MEB-LD-230AC	
	For connecting cable KMC and plug socket MSSD-C	12 ... 24 V DC	19145	MC-LD-12-24DC	
		230 V DC/AC ±10%	19146	MC-LD-230AC	

Ordering data – Connecting cable NEBU-M8				Technical data → Internet: nebu	
	Electrical connection	Number of wires	Cable length [m]	Part No.	Type
	M8x1, straight socket	3	2.5	★ 541333	NEBU-M8G3-K-2.5-LE3
			5	★ 541334	NEBU-M8G3-K-5-LE3
	M8x1, angled socket	3	2.5	★ 541338	NEBU-M8W3-K-2.5-LE3
			5	★ 541341	NEBU-M8W3-K-5-LE3

Ordering data – Connecting cable NEBU-M12				Technical data → Internet: nebu	
	Electrical connection	Number of wires	Cable length [m]	Part No.	Type
	M12x1, straight socket	4	2.5	★ 550326	NEBU-M12G5-K-2.5-LE4
			5	★ 541328	NEBU-M12G5-K-5-LE4
	M12x1, angled socket	4	2.5	550325	NEBU-M12W5-K-2.5-LE4
			5	541329	NEBU-M12W5-K-5-LE4

Ordering data – Sensor socket SIE-GD			Technical data → Internet: sie-gd	
	Electrical connection		Part No.	Type
	M12x1, 4-pin		18494	SIE-GD

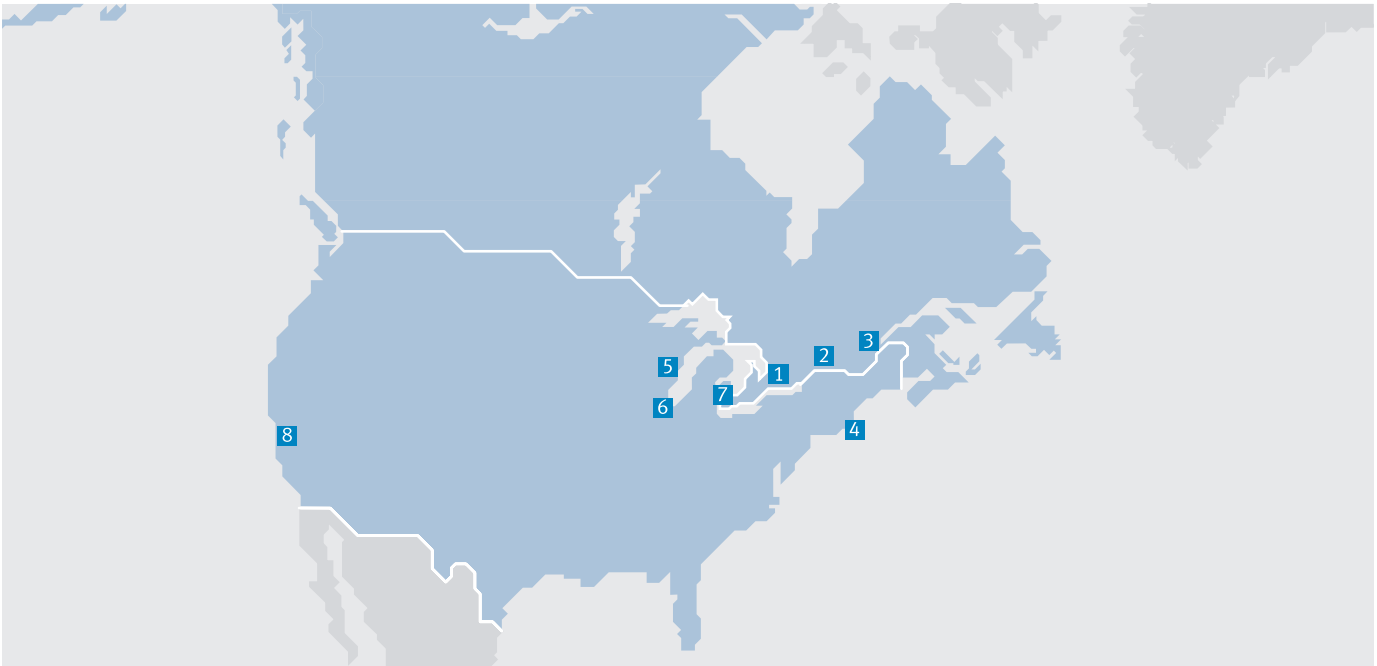
Ordering data – Angled socket SIE-WD			Technical data → Internet: sie-wd	
	Electrical connection		Part No.	Type
	M12x1, 4-pin		12956	SIE-WD-TR

Ordering data – Pressure gauge MA							
	Nominal size	Pneumatic connection	Display range		Part No.	Type	
			[bar]	[psi]			
	Pressure gauge MA, EN 837-1					Technical data → Internet: ma	
	40	R $\frac{1}{4}$	0 ... 16	0 ... 232	187080	MA-40-16-R $\frac{1}{4}$ -EN	
		G $\frac{1}{4}$	0 ... 16	0 ... 232	183901	MA-40-16-G $\frac{1}{4}$ -EN	
	Pressure gauge MA, EN 837-1, with red/green range					Technical data → Internet: ma	
50	R $\frac{1}{4}$	0 ... 16	–	525729	MA-50-16-R $\frac{1}{4}$ -E-RG		

Festo core product range

- ★ Ready for dispatch from the Festo factory in 24 hours
- ☆ Ready for dispatch in 5 days maximum from stock

Festo North America



**1 Festo Canada
Headquarters
Festo Inc.**
5300 Explorer Drive
Mississauga, ON
L4W 5G4

2 Montréal
5600, Trans-Canada
Pointe-Claire, QC
H9R 1B6

3 Québec City
2930, rue Watt#117
Québec, QC
G1X 4G3



**4 Festo United States
Headquarters
Festo Corporation**
395 Moreland Road
Hauppauge, NY
11788

5 Appleton
North 922 Tower View Drive, Suite N
Greenville, WI
54942

7 Detroit
1441 West Long Lake Road
Troy, MI
48098

6 Chicago
85 W Algonquin - Suite 340
Arlington Heights, IL
60005

8 Silicon Valley
4935 Southfront Road, Suite F
Livermore, CA
94550

Festo Regional Contact Center

Canadian Customers

Commercial Support:
Tel: 1 877 GO FESTO (1 877 463 3786)
Fax: 1 877 FX FESTO (1 877 393 3786)
Email: festo.canada@ca.festo.com

Technical Support:
Tel: 1 866 GO FESTO (1 866 463 3786)
Fax: 1 877 FX FESTO (1 877 393 3786)
Email: technical.support@ca.festo.com

USA Customers

Commercial Support:
Tel: 1 800 99 FESTO (1 800 993 3786)
Fax: 1 800 96 FESTO (1 800 963 3786)
Email: customer.service@us.festo.com

Technical Support:
Tel: 1 866 GO FESTO (1 866 463 3786)
Fax: 1 800 96 FESTO (1 800 963 3786)
Email: product.support@us.festo.com