

Flow sensors SFAB



Flow sensors SFAB

Key features

FESTO

At a glance

Quick and secure installation thanks to QS fitting

Manifold assembly of the sensor via H-rail or individual assembly via adapter plate for wall mounting

Plate assembly of the sensor using mounting screws, 5 measuring ranges from 0.1 ... 10 l/min up to 10 ... 100 l/min

Values up to 200 l/min, optional with integrated flow control valve/flow control element



Display can be rotated 270°

- High-contrast LCD display with blue background and white 9-segment display
- Bar graph visualises the current measured value
- Switching point-dependent colour change

Central electrical connection via M12 plug

Impressive, simple, reliable

Designed according to the attractive display and operation concept, the flow sensors have produced outstanding results in the areas of:

- Leakage detection in production
- Leakage tightness testing of end products
- Flow monitoring in parts feeding

The sensor supplies:

- Absolute flow rate information
 - with threshold values and
 - convenient switching point adjustment via a display
- Cumulative air consumption measurement
- Patented – adjustable consumption-based switching impulse for the cumulative air consumption measurement via the switching output

Easier to operate

- A large, illuminated LCD display increases the operational safety and makes the currently displayed flow rate or consumption values easy to read
- Measured values outside the measuring range are visualised: flow rate values are shown flashing
- Values falling below or above the threshold can also be detected remotely or, if the sensor is in

an inaccessible location, by means of the display changing colour

- Simple checking of the current sensor settings in SHOW mode
- Simple switching between consumption and flow rate display
- An integrated flow control valve can be ordered as a flow control element via the modular product system for values up to 200 l/min

Flexible installation

This is enabled by the extremely compact design that does away with the need for an upstream and downstream smoothing section; the SFAB has an integrated stabilising flow channel.

Systematically more reliable

The sensor supplies precise information thanks to its very large measuring range, even in the case of fluctuating or unreliable flow rate conditions.

User-friendly

- Quick and easy menu navigation
- Integrated QS fittings
- Ultra-fast teach-in function as with the proven pressure sensor SDE1
- Secure connections with extremely short assembly times

- Manual consumption measurement with start/stop and reset functionality
- Rotatable display
- With or without flow control valve

Advantages

For the designer

- During design, minimal information is required regarding the applied flow rate
- Festo plug and work solution
- The same device can be used for different applications
- The sensor covers a large measuring range with a specified accuracy thanks to its high dynamic response of 1:100
- NPN/PNP switching via the software

- Minimal assembly times
- Alternatively with 4 ... 20 mA or 0 ... 10 V analogue output
- Flexible installation without restrictions imposed by smoothing sections, any installation position
- High pneumatic connection variance possible via the modular product system
- Design of more efficient machines

For the machine operator

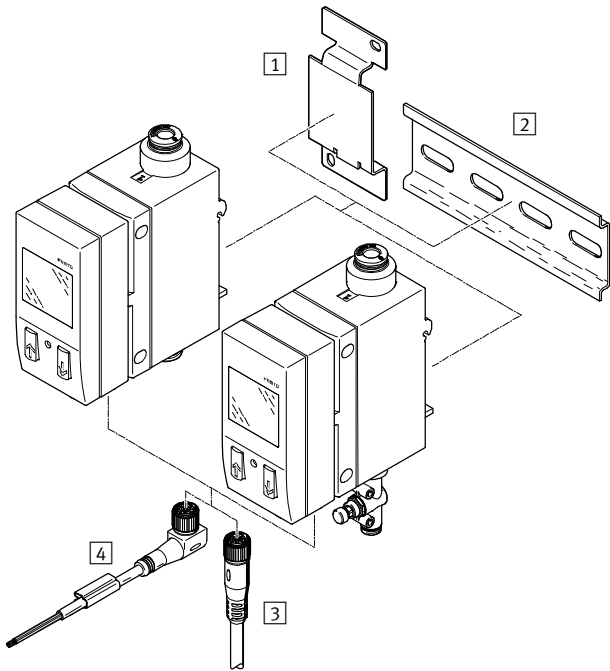
- Precise information is available even in the event of fluctuating pressure conditions
- Flow rates can be read easily and reliably
- Visualisation (colour change, flashing measured value) of deviations
- Easy operation without the need for training
- Greater system reliability

- Displayed values:
 - Can be displayed for flow rate and consumption for different standard conditions
 - Can be filtered/averaged with highly dynamic measuring independently of the analogue output
- Fast commissioning thanks to easy-to-use, intuitive teach-in function

Flow sensors SFAB

Peripherals overview

Peripherals overview



Mounting attachments and accessories	→ Page/Internet
1 Adapter plate SDE1-...-W-... (included in the scope of delivery with SFAB-...-W...)	11
2 Mounting rail to DIN EN 60715	nrh
3 Connecting cable NEBU-M12G5, straight socket	11
4 Connecting cable NEBU-M12G5, angled socket	11

Flow sensors SFAB

Type codes

SFAB - 600 U - H Q8 - P2 - M12

Type

SFAB	Flow sensor
------	-------------

Flow measuring range [l/min]

10	Max. 10
50	Max. 50
200	Max. 200
600	Max. 600
1000	Max. 1,000

Flow input

U	Unidirectional
---	----------------

Type of mounting

H	Via H-rail
W	Via wall bracket

Pneumatic connection

Q6	Push-in connector 6 mm
Q8	Push-in connector 8 mm
Q10	Push-in connector 10 mm

Electrical output

2SA	2x PNP or NPN, 1 analogue output 4 ... 20 mA
2SV	2x PNP or NPN, 1 analogue output 0 ... 10 V

Electrical connection

M12	Straight plug, M12x1, 5-pin
-----	-----------------------------

Additional variants can be ordered using the modular system → 10

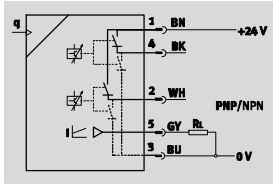
- Pneumatic connection
- Additional function (flow control element)
- Electrical accessories
- EU certification (ATEX)

Flow sensors SFAB

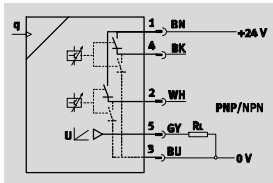
Technical data

Function

Current output 2SA



Voltage output 2SV



- Analogue output 0 ... 10 V, adjustable switching outputs 2x PNP or 2x NPN
- Analogue output 4 ... 20 mA, adjustable switching outputs 2x PNP or 2x NPN
- Freely selectable pulse output for consumption measurement
- Analogue filter for setting the rise time
- Digital filter for smoothing the display values
- Flow control element (flow control valve) for setting the flow rate



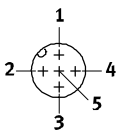
General technical data		-10U	-50U	-200U	-600U	-1000U
General						
Certification	C-Tick c UL us - Recognized (OL)					
CE mark (see declaration of conformity)	To EU EMC Directive In accordance with EU Explosion Protection Directive (ATEX)					
Note on materials	RoHS-compliant					
Input signal/measuring element						
Measured variable	Flow rate, consumption					
Direction of flow	Unidirectional P1 → P2					
Measuring principle	Thermal					
Flow measuring range	[l/min]	0.1 ... 10	0.5 ... 50	2 ... 200	6 ... 600	10 ... 1,000
Operating pressure	[bar]	0 ... 10				
Nominal pressure	[bar]	6				
Operating medium	Compressed air in accordance with ISO 8573-1:2010 [6:4:4]			Compressed air in accordance with ISO 8573-1:2010 [7:4:4]		
	Nitrogen			Nitrogen		
Temperature of medium	[°C]	0 ... 50				
Ambient temperature	[°C]	0 ... 50				
Nominal temperature	[°C]	23				

Flow sensors SFAB

Technical data

Electrical data		-10U	-50U	-200U	-600U	-1000U
Output, general ^{1), 2)}						
Accuracy of flow rate values		+/- (3% o.m.v. + 0.3% FS)				
Repetition accuracy of zero point ±FS	[%]	0.2				
Repetition accuracy of margin ±FS	[%]	0.8				
Temperature coefficient of margin ±FS/K	[%]	≤0.1				
Pressure dependence of margin ±FS/bar	[%]	0.5				
Switching output						
Switching output		2x PNP or 2x NPN, adjustable				
Switching function		Window comparator or threshold value comparator, adjustable				
Switching element function		N/C or N/O contact, adjustable				
Switch-on time		Adjustable (factory setting: approx. 80 ms)				
Switch-off time		Adjustable (factory setting: approx. 80 ms)				
Max. output current	[mA]	100				
Voltage drop	[V]	Max. 1.5				
Inductive protective circuit		Adapted to MZ, MY, ME coils				
Analogue output						
Characteristic flow rate curve	[l/min]	0 ... 10	0 ... 50	0 ... 200	0 ... 600	0 ... 1,000
Output characteristic curve for current	[mA]	4 ... 20				
Output characteristic curve for voltage	[V]	0 ... 10				
Rise time	[ms]	Possible settings: 15, 30, 60 (factory setting), 125, 250, 500, 999				
Max. load resistance at current output	[ohms]	500				
Min. load resistance at voltage output	[kohms]	10				
Output, additional data						
Protection against short circuit		Yes				
Protection against overloading		Yes				
Electronic components						
Operating voltage range DC	[V]	15 ... 30				
Protection against polarity reversal		For all electrical connections				
Electromechanical components						
Electrical connection		Straight plug, M12x1, 5-pin				
Max. length of connecting cable	[m]	<10				

1) Accuracy with nominal conditions (6 bar, 23 °C and horizontal installation position).
 2) % FS = % of the measuring range final value (full scale).

Pin allocation		
Plug M12x1, 5-pin	Pin	Meaning
	1	Operating voltage +24 V DC
	2	Binary output B
	3	0 V
	4	Binary output A
	5	Analogue output C

Flow sensors SFAB

Technical data

Mechanical components					
	-10U	-50U	-200U	-600U	-1000U
Temperature dependence of the flow control valve setting ¹⁾ ±FS (0 ... 50 °C)	8	8	2	–	–
Mounting position	Any				
Pneumatic connection ²⁾	QS6	QS6	–	–	–
	QS8	QS8	QS8		
	QS10	QS10	QS10	QS10	QS10
	QS12	QS12	QS12	QS12	QS12
	QS ¹ / ₄	QS ¹ / ₄	–	–	–
	QS ⁵ / ₁₆	QS ⁵ / ₁₆	QS ⁵ / ₁₆	–	–
	QS ³ / ₈	QS ³ / ₈	QS ³ / ₈	QS ³ / ₈	QS ³ / ₈
Product weight [g]	160				
Material: Housing	PA reinforced				

- 1) The flow rate value set using the flow control valve is additionally dependent on the operating pressure. This means that the flow rate value changes if the operating pressure is changed, even if the flow control valve setting remains the same.
 2) The pneumatic connections cannot be freely selected when configuring a sensor with flow control element, modular product system → 10.

Display/operation						
	-10U	-50U	-200U	-600U	-1000U	
Indicator type	Illuminated LCD, blue					
Displayable units	l/min, l/h, scfm, l, m ³ , scf			l/min, scfm, l, m ³ , scf		
Setting range for flow rate threshold value	1% FS ... 100% FS					
Setting range for consumption [l]	0.1 ... 1,999.9	0.2 ... 1,999.9	1 ... 1,999.9	2 ... 1,999.9	3 ... 1,999.9	
impulse threshold value	[m ³]	0.01 ... 199.99			0.1 ... 1,999.9	1 ... 19,999
	[scf]	0.01 ... 199.99		0.03 ... 199.99	0.1 ... 1,999.9	
Hysteresis setting range	0% FS ... 90% FS					

Immissions/emissions					
	-10U	-50U	-200U	-600U	-1000U
Storage temperature [°C]	–20 ... +80 (characteristic -D: –10 ... +60)				
Degree of protection	IP65				
Pressure drop [mbar]	<100				
Electrical protection class	III				

Flow sensors SFAB

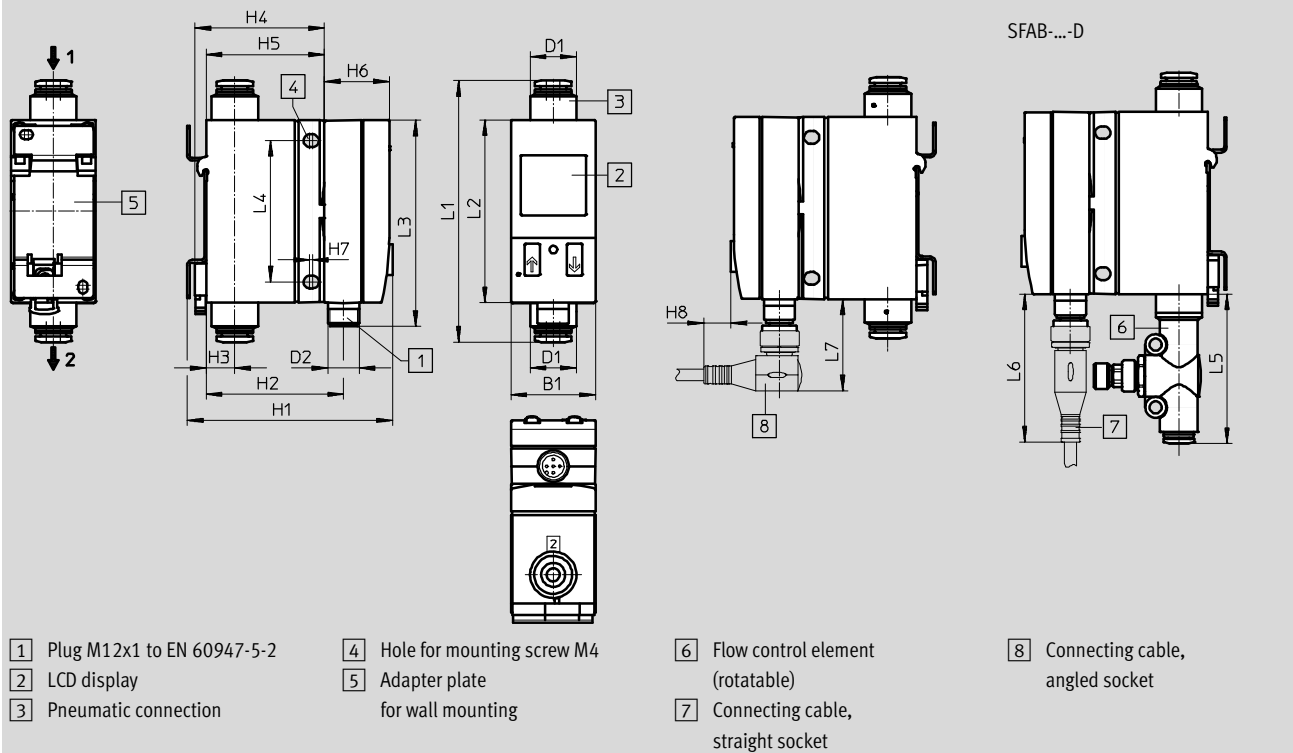
Technical data

FESTO

Dimensions

Download CAD data → www.festo.com



SFAB-...-H/-W



Type	B1	D1	D2	H1	H2	H3	H4	H5	H6	H7	H8	L1	L2	L3	L4	L5	L6	L7
SFAB-...-HQ6	32.3	17.7	M12x1	-	51.6	11	48.5	44.3	24.4	1.1	12	95.6	69.8	78.9	54	-	56	35
SFAB-...-HQ6-...-D												-			57.1			
SFAB-...-HQ8												99.8			-			
SFAB-...-HQ8-...-D												-			59.2			
SFAB-...-HQ10												119.8			-			
SFAB-...-HQ12												124.4			-			
SFAB-...-WQ6	32.3	17.7	M12x1	79	51.6	11	48.5	44.3	24.4	1.1	12	95.6	69.8	78.9	54	-	56	35
SFAB-...-WQ6-...-D												-			57.1			
SFAB-...-WQ8												99.8			-			
SFAB-...-WQ8-...-D												-			59.2			
SFAB-...-WQ10												119.8			-			
SFAB-...-WQ12												124.4			-			

Flow sensors SFAB

Technical data

Ordering data					
Version	Electrical output	Flow measuring range [l/min]	Part No.	Type	
H-rail mounting					
	2x PNP or NPN, 1 analogue output 4 ... 20 mA	0.1 ... 10	565385	SFAB-100U-HQ6-2SA-M12	
		0.5 ... 50	565389	SFAB-50U-HQ6-2SA-M12	
		2 ... 200	565393	SFAB-200U-HQ8-2SA-M12	
		2 ... 200	565397	SFAB-200U-HQ10-2SA-M12	
		6 ... 600	565401	SFAB-600U-HQ10-2SA-M12	
		10 ... 1,000	565405	SFAB-1000U-HQ10-2SA-M12	
	2x PNP or NPN, 1 analogue output 0 ... 10 V	0.1 ... 10	565386	SFAB-100U-HQ6-2SV-M12	
		0.5 ... 50	565390	SFAB-50U-HQ6-2SV-M12	
		2 ... 200	565394	SFAB-200U-HQ8-2SV-M12	
		2 ... 200	565398	SFAB-200U-HQ10-2SV-M12	
		6 ... 600	565402	SFAB-600U-HQ10-2SV-M12	
		10 ... 1,000	565406	SFAB-1000U-HQ10-2SV-M12	
	Wall or surface mounting				
		2x PNP or NPN, 1 analogue output 4 ... 20 mA	0.1 ... 10	565387	SFAB-100U-WQ6-2SA-M12
0.5 ... 50			565391	SFAB-50U-WQ6-2SA-M12	
2 ... 200			565395	SFAB-200U-WQ8-2SA-M12	
2 ... 200			565399	SFAB-200U-WQ10-2SA-M12	
6 ... 600			565403	SFAB-600U-WQ10-2SA-M12	
10 ... 1,000			565407	SFAB-1000U-WQ10-2SA-M12	
2x PNP or NPN, 1 analogue output 0 ... 10 V		0.1 ... 10	565388	SFAB-100U-WQ6-2SV-M12	
		0.5 ... 50	565392	SFAB-50U-WQ6-2SV-M12	
		2 ... 200	565396	SFAB-200U-WQ8-2SV-M12	
		2 ... 200	565400	SFAB-200U-WQ10-2SV-M12	
		6 ... 600	565404	SFAB-600U-WQ10-2SV-M12	
		10 ... 1,000	565408	SFAB-1000U-WQ10-2SV-M12	

Flow sensors SFAB

Ordering data – Modular products



Ordering table		Condi- tions	Code	Enter code
M	Module No.	563795		
	Function	Flow sensor	SFAB	-SFAB
			-	
O	Medium	Compressed air	-	
M	Flow measuring range l/min	Max. 10	10	
		Max. 50	50	
		Max. 200	200	
		Max. 600	600	
		Max. 1,000	1000	
	Flow input	Unidirectional	U	U
	Type of mounting	H-rail mounting	-H	
		Wall mounting	-W	
	Pneumatic connection	Push-in connector 6 mm	Q6	
		Push-in connector 8 mm	Q8	
		Push-in connector 10 mm	Q10	
		Push-in connector 12 mm	Q12	
		Push-in connector for 1/4	T14	
		Push-in connector for 5/16	T516	
		Push-in connector for 3/8	T38	
	Electrical output	2x PNP or NPN, 1 analogue output 4 ... 20 mA	-2SA	
		2x PNP or NPN, 1 analogue output 0 ... 10 V	-2SV	
	Electrical connection	Plug M12, A-coded	-M12	M12
O	Additional function	Not specified		
		Control element	-D	
	Electrical accessories	Not specified		
		Angled plug socket, cable 2.5 m	-2.5A	
		Straight socket, cable 2.5 m	-2.5S	
		Angled plug socket, cable 5 m	-5A	
		Straight socket, cable 5 m	-5S	
	EU certification	Not specified		
		II 3GD	-EX2	

- 1 Q6, T14** Not with flow measuring range 200; 600; 1,000
- 2 Q8, T516** Not with flow measuring range 600; 1,000
- 3 D** Only with flow measuring range 10, 50 in combination with pneumatic connection Q6
Only with flow measuring range 200 in combination with pneumatic connection Q8

Transfer order code

563795 SFAB - [] - [] - U - [] - [] - [] - M12 - [] - [] - []

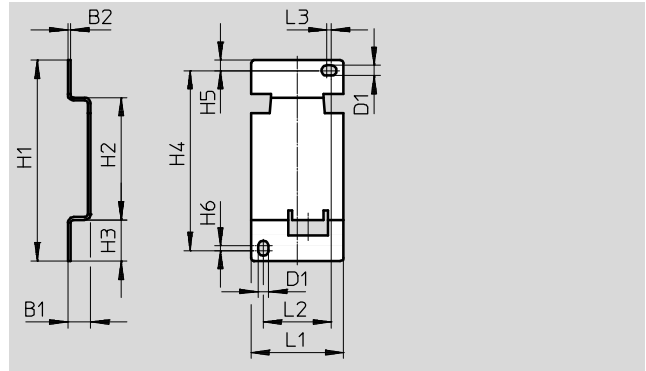
Flow sensors SFAB

Accessories



Adapter plate SDE1-...-W...
for wall or surface mounting

Material:
Steel



Ordering data – Adapterplate ¹⁾													Part No.	Type
Type	B1	B2	D1 ∅	H1	H2	H3	H4	H5	H6	L1	L2	L3		
	-0.4		±0.1											
SDE1-...-W...	7.5	0.9	3.4	65.8	40	13.5	59	3.4	1.5	30.3	22.3	1.5	194297	SDE1-...-W...

1) Included in the scope of delivery with SFAB-...-W...

Ordering data – Connecting cables			Technical data → Internet: nebu	
	Number of wires	Cable length [m]	Part No.	Type
M12x1, straight socket				
	5	2.5	541330	NEBU-M12G5-K-2.5-LE5
		5	541331	NEBU-M12G5-K-5-LE5
M12x1, angled socket				
	5	2.5	567843	NEBU-M12W5-K-2.5-LE5
		5	567844	NEBU-M12W5-K-5-LE5

Product Range and Company Overview

A Complete Suite and Company Overview

Our experienced engineers provide complete support at every stage of your development process, including: conceptualization, analysis, engineering, design, assembly, documentation, validation, and production.



Custom Automation Components
Complete custom engineered solutions



Custom Control Cabinets
Comprehensive engineering support and on-site services



Complete Systems
Shipment, stocking and storage services

The Broadest Range of Automation Components

With a comprehensive line of more than 30,000 automation components, Festo is capable of solving the most complex automation requirements.



Electromechanical
Electromechanical actuators, motors, controllers & drivers



Pneumatics
Pneumatic linear and rotary actuators, valves, and air supply



PLCs and I/O Devices
PLC's, operator interfaces, sensors and I/O devices

Supporting Advanced Automation... As No One Else Can!

Festo is a leading global manufacturer of pneumatic and electromechanical systems, components and controls for industrial automation, with more than 16,000 employees in 60 national headquarters serving more than 180 countries. For more than 80 years, Festo has continuously elevated the state of manufacturing with innovations and optimized motion control solutions that deliver higher performing, more profitable automated manufacturing and processing equipment. Our dedication to the advancement of automation extends beyond technology to the education and development of current and future automation and robotics designers with simulation tools, teaching programs, and on-site services.

Quality Assurance, ISO 9001 and ISO 14001 Certifications

Festo Corporation is committed to supply all Festo products and services that will meet or exceed our customers' requirements in product quality, delivery, customer service and satisfaction.

To meet this commitment, we strive to ensure a consistent, integrated, and systematic approach to management that will meet or exceed the requirements of the ISO 9001 standard for Quality Management and the ISO 14001 standard for Environmental Management.

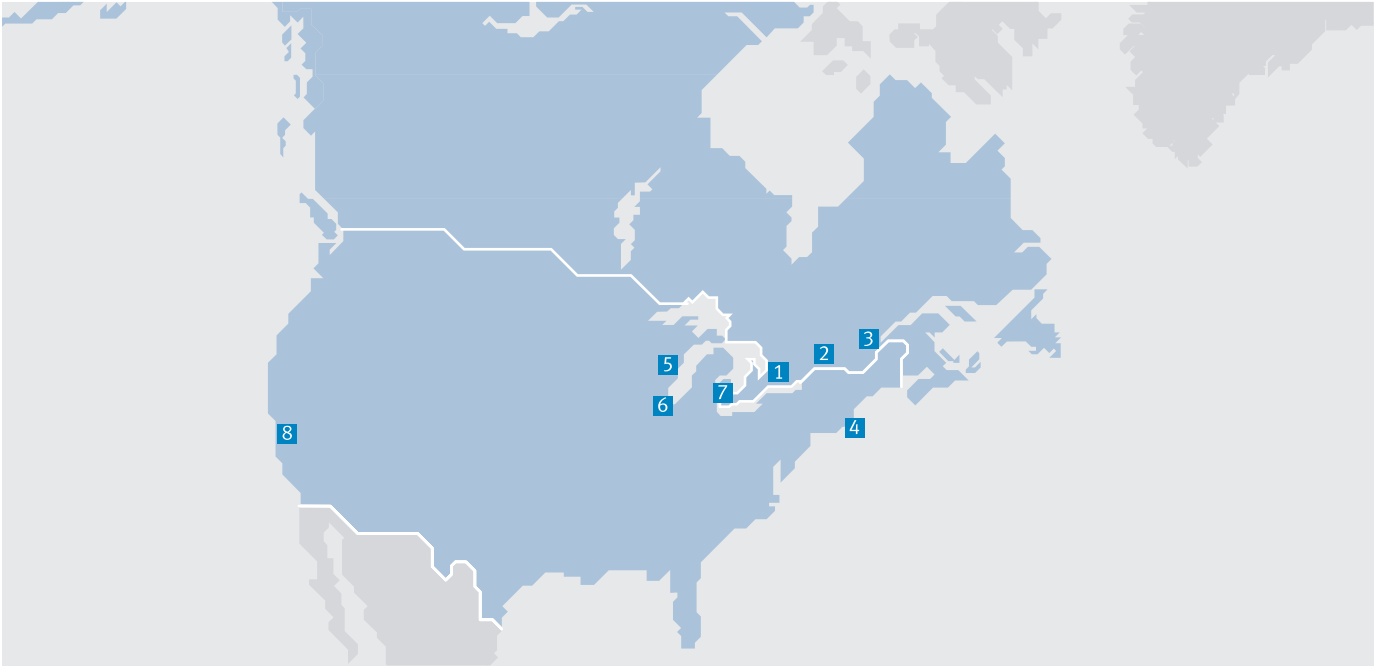


© Copyright 2013, Festo Corporation. While every effort is made to ensure that all dimensions and specifications are correct, Festo cannot guarantee that publications are completely free of any error, in particular typing or printing errors. Accordingly, Festo cannot be held responsible for the same. For Liability and Warranty conditions, refer to our "Terms and Conditions of Sale", available from your local Festo office. All rights reserved. No part of this publication may be reproduced, distributed, or transmitted in any form or by any means, electronic, mechanical, photocopying or otherwise, without the prior written permission of Festo. All technical data subject to change according to technical update.



Printed on recycled paper at New Horizon Graphic, Inc., FSC certified as an environmental friendly printing plant.

Festo North America



**1 Festo Canada
Headquarters
Festo Inc.**
5300 Explorer Drive
Mississauga, ON
L4W 5G4

2 Montréal
5600, Trans-Canada
Pointe-Claire, QC
H9R 1B6

3 Québec City
2930, rue Watt#117
Québec, QC
G1X 4G3



**4 Festo United States
Headquarters
Festo Corporation**
395 Moreland Road
Hauppauge, NY
11788

5 Appleton
North 922 Tower View Drive, Suite N
Greenville, WI
54942

7 Detroit
1441 West Long Lake Road
Troy, MI
48098

6 Chicago
85 W Algonquin - Suite 340
Arlington Heights, IL
60005

8 Silicon Valley
4935 Southfront Road, Suite F
Livermore, CA
94550

Festo Regional Contact Center

Canadian Customers

Commercial Support:
Tel: 1 877 GO FESTO (1 877 463 3786)
Fax: 1 877 FX FESTO (1 877 393 3786)
Email: festo.canada@ca.festo.com

Technical Support:
Tel: 1 866 GO FESTO (1 866 463 3786)
Fax: 1 877 FX FESTO (1 877 393 3786)
Email: technical.support@ca.festo.com

USA Customers

Commercial Support:
Tel: 1 800 99 FESTO (1 800 993 3786)
Fax: 1 800 96 FESTO (1 800 963 3786)
Email: customer.service@us.festo.com

Technical Support:
Tel: 1 866 GO FESTO (1 866 463 3786)
Fax: 1 800 96 FESTO (1 800 963 3786)
Email: product.support@us.festo.com